

REVISIONS

P	LTR	DESCRIPTION	DATE	DWN	APVD
	BI	REVISED (ECR-16-005149)	15. JAN. '16	SM	HG

CODING-A(P/N:1897726-2)

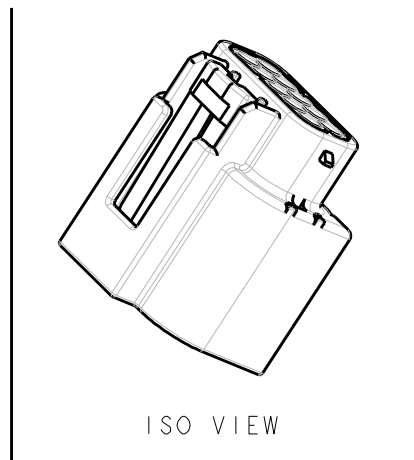
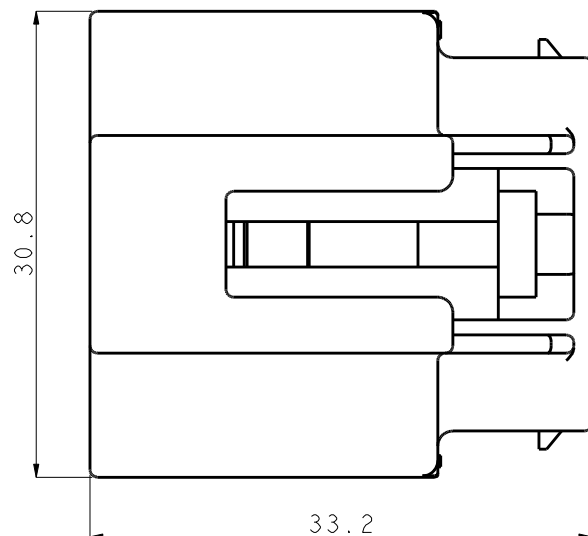
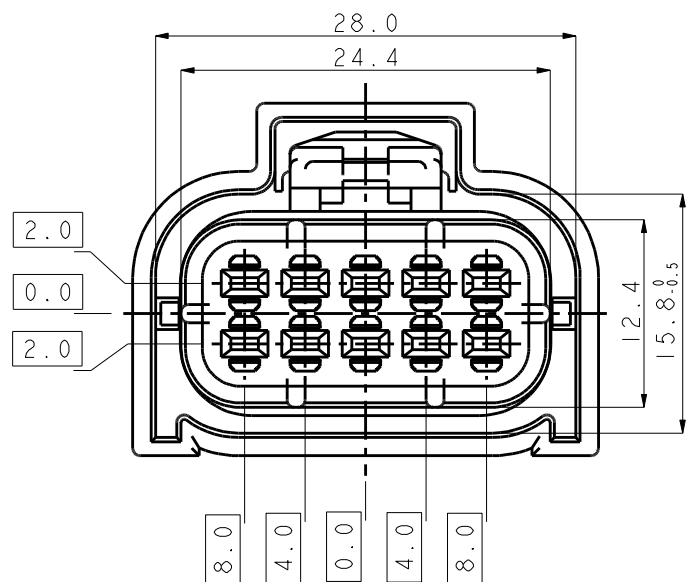


TABLE 1. APPLICABLE REC. CONTACT.

ASS'Y P/N	REC.	PART NO.	WIRE RANGE(mm²)	INSULATION DIA.(mm) (FLR)
1897726-2	MCP 1.5 A1 △6	1241378	0.2-0.35	1.1-1.4
		1241380	0.5-1.0	1.4-2.1
		2188859-1		
1-1897726-2	MT-111	1241730	0.3~0.5	1.15~1.6
2-1897726-3	MT-11	1241732	0.5~1.0	1.4~2.0
		1703414	1.25	2.2~2.4

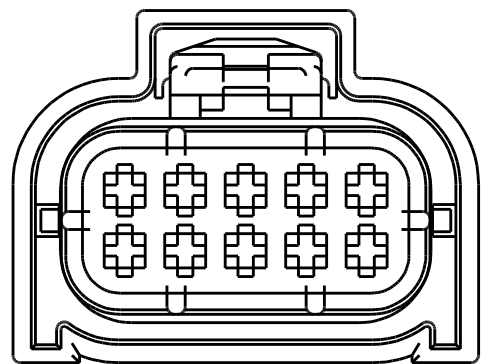
TABLE 2. APPLICABLE SINGLE WIRE SEALS

WIRE RANGE(mm²)	INSULATION DIA.(mm)	COLOR	PART NO.
0.35-0.50	1.2~1.6	RED	964971-1
0.50-0.75	1.4~1.9	GRAY	963530-1
1.0	1.9~2.1	YELLOW	964972-1
1.25	1.9~2.4	ORANGE	2112323-1

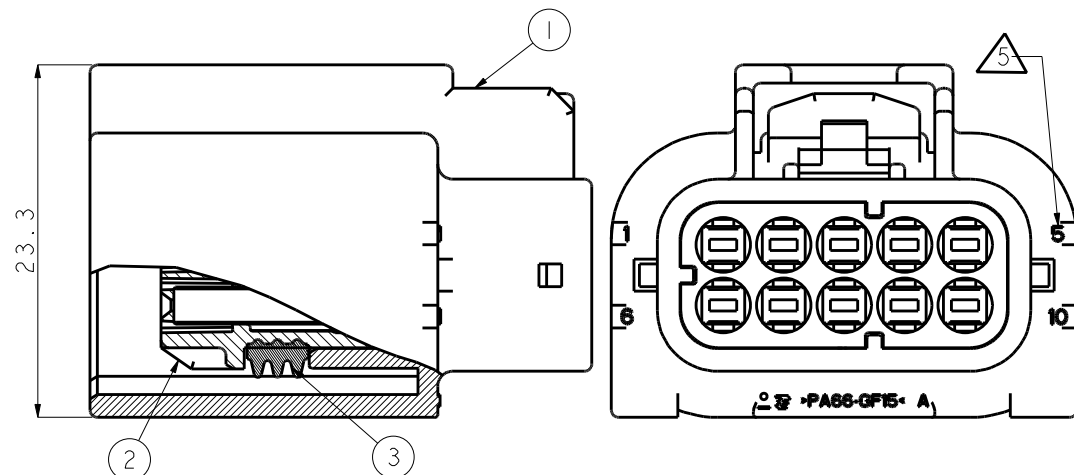
BI TABLE 3. APPLICABLE SINGLE WIRE SEALS

APPLICABLE ASS'Y P/N	DEAD END PLUG	COLOR	PART NO.
1-1897726-2	△7 DEAD END PLUG	WHITE	963531-1
		NATURAL	1394132-1
2-1897726-3		NATURAL	1394132-1

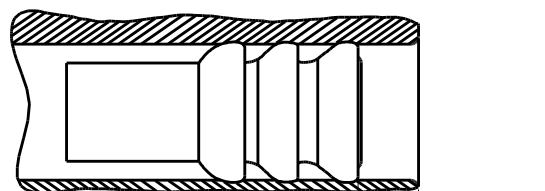
CODING-A(P/N:1-1897726-2)



Missing dimension see P/N: 1897726-2



B △7 DEAD END PLUG INSERTION DEPTH: 1.5mm^{+1.5}₋₀

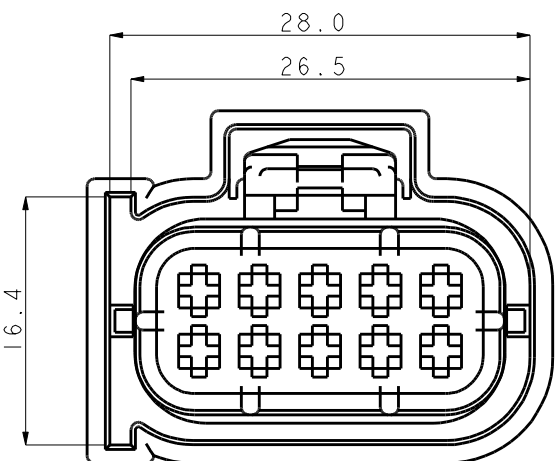


SCALE 5:1

NOTE ;

- GENERAL TOLERANCE : ±0.3, ±3.0°
- APPLICABLE REC. CONTACT : SEE TABLE 1.
- APPLICABLE SINGLE WIRE SEAL : SEE TABLE 2.
- THE MATING TAB HSG P/N : 1897725-2, 1-1897725-3
- CURCUIT NO.
- GM RESTRICTED P/N
- DEAD END PLUG INSERTION DEPTH : 1.5^{+1.5}₋₀
- APPLICABLE COVER P/N : 2219417-2

BI CODING-B(P/N:2-1897726-3)



Missing dimension see P/N: 1897726-2

NO.	PART NO.	DESCRIPTION	MATERIAL	COLOR	Q'TY
3	1-2005918-6	INNER SEAL	SILICONE	RED ORANGE	1
	2005918-1			GREEN	1
2	2188707-3	CAVITY PLUG HSG	PBT-GF20	GRAY	1
	1897728-2			PA6-GB20-GF10	BLACK
1	1-1897727-3	REC. HSG	PA66-GF15	GRAY	1
	1897727-2			BLACK	1

THIS DRAWING IS A CONTROLLED DOCUMENT.

DWN: SM LEE
CHK: KT LIM
APVD: HG CHO
PRODUCT SPEC: -
APPLICATION SPEC: -
WEIGHT: -

STE TE Connectivity

NAME: MCPI.5 SEALED 10P REC. HSG ASS'Y

SIZE: A300779 CAGE CODE: C-1897726 DRAWING NO: 1897726 RESTRICTED TO: -

CUSTOMER DRAWING SCALE: 1:1 SHEET: 1 OF 1 REV: BI