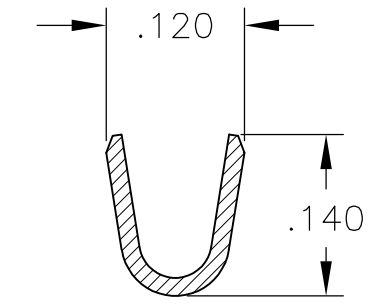
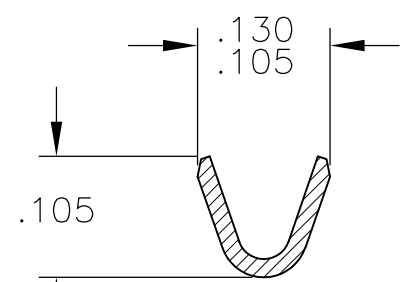
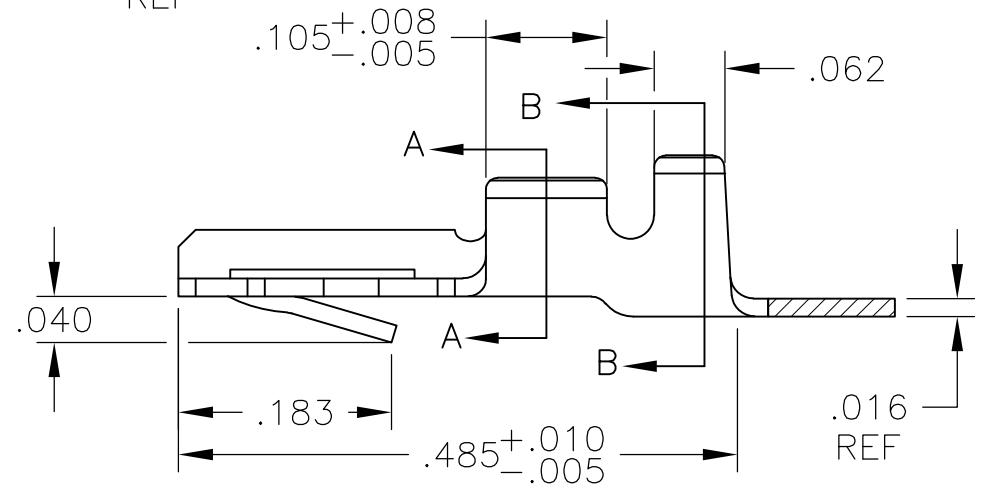
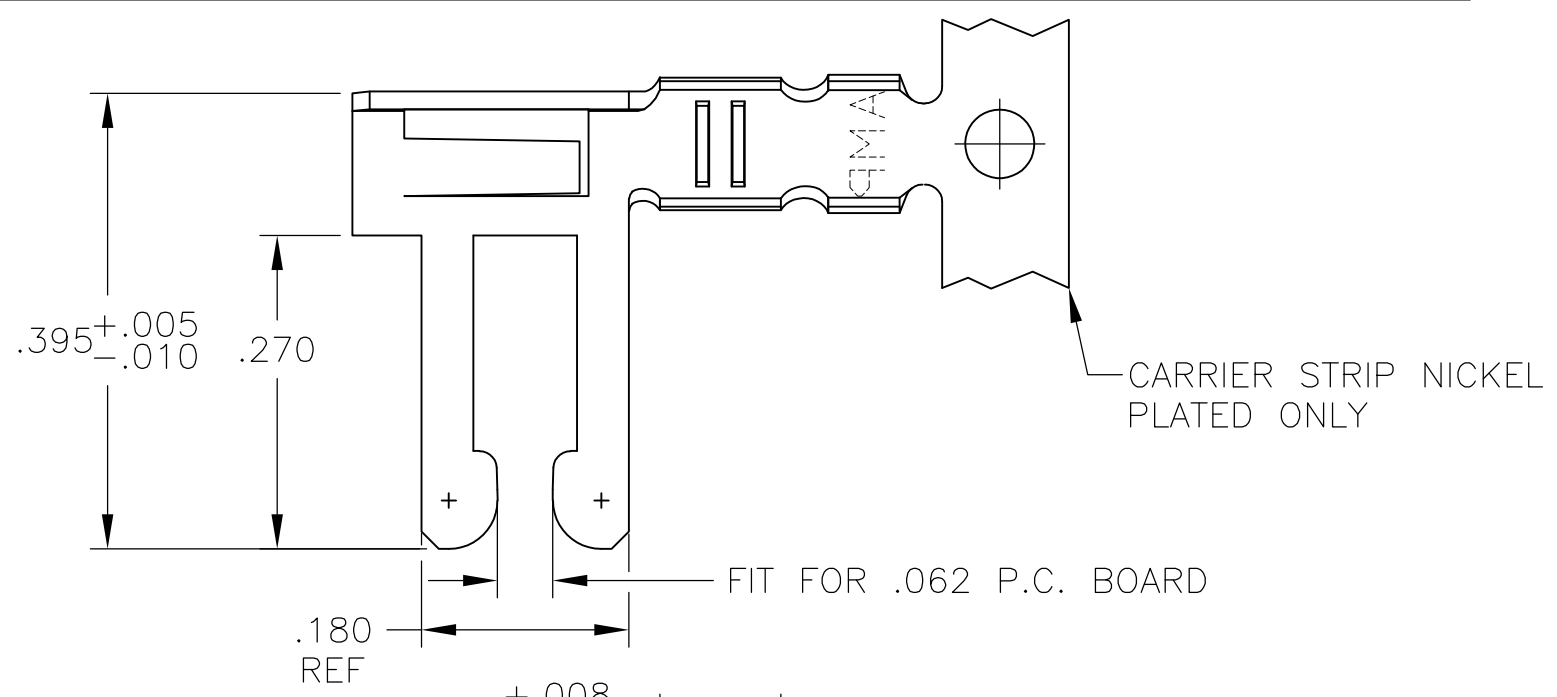


THIS DRAWING IS UNPUBLISHED. RELEASED FOR PUBLICATION  
 © COPYRIGHT BY TYCO ELECTRONICS CORPORATION. ALL RIGHTS RESERVED.

LOC	DIST	REVISIONS			
P	LTR	DESCRIPTION	DATE	DWN	APVD
AD	00	P	ECO 05 006319	23MAY06	BSV MK
		P1	REV PER ECO-09-021510	14SEP09	KK AEG



1. REFER TO CUSTOMER 582370 SERIES AND CUSTOMER 582380 SERIES FOR HOUSING AND P.C. BOARD REQUIREMENTS

2 .000015 GOLD OVER .000050 NICKEL IN CONTACT AREA. REMAINDER OF CONTACT .000050 NICKEL.

3 .000030 GOLD OVER .000050 NICKEL IN CONTACT AREA. .000050 NICKEL ON REMAINDER OF CONTACT.

4 L-R FEED FOR MINI-APPL.

5 OBSOLETE PARTS: OBSOLETE CIS STREAMLINING PER D.RENAUD/D.SINISI

	FINISH	PART NUMBER
5	MATTE TIN PLATE	4 5-583284-7
	TIN PLATE	4 583284-7
		3 4 583284-6
		2 4 583284-5
		2 4 583284-4
OBSOLETE	3	583284-3
OBSOLETE	TIN PLATE	583284-2

THIS DRAWING IS A CONTROLLED DOCUMENT.		DWN M.BINNER 03APR01	Tyco Electronics Corporation Harrisburg, Pa 17105-3608	
DIMENSIONS: INCHES		CHK M.MILLER 05APR01		
TOLERANCES UNLESS OTHERWISE SPECIFIED:		APVD M.MILLER 05APR01	NAME	
0 PLC ± - 1 PLC ± - 2 PLC ± - 3 PLC ± .005 4 PLC ± .0005 ANGLES ± -		PRODUCT SPEC	CONTACT, 22-18 AWG, DUO-TYNE FLAG	
MATERIAL BERYLLIUM COPPER		FINISH SEE TABLE	APPLICATION SPEC	RESTRICTED TO
		WEIGHT -	SIZE A3	CAGE CODE 00779
			DRAWING NO C-583284	SCALE 6:1
				SHEET 1 OF 1
				REV P1