



FEATURES

- ▶ 0.37", 3½ digit high contrast LCD
- ▶ Optional positive green backlight
- ▶ User-selectable decimal points
- ▶ Polycarbonate case
- ▶ Optional bezel mount

SPECIFICATIONS

DISPLAY

Numeral Size: .37" (9.4 mm)
 Overrange: three lower order digits blank for inputs >1999 & < -1999
 Polarity Indication: automatic (-) for negative
 Supply Voltage: +5 VDC @2mA (10mA with backlight option)

INPUTS

Input Ranges: ±200 mVdc, ± 2Vdc, ±20Vdc, ±200Vdc
 Input Impedance: 1000 MΩ (200 mV)
 1 MΩ (other ranges)
 Common Mode Range: ± 1 Vdc

PERFORMANCE

Accuracy: ±1% F.S. ± 2 counts
 Sampling Rate: 3 per second

ENVIRONMENT

Operating Temperature: 0 to 50 °C
 Max Humidity: 95% (non-condensing)

CONNECTION

12 pin

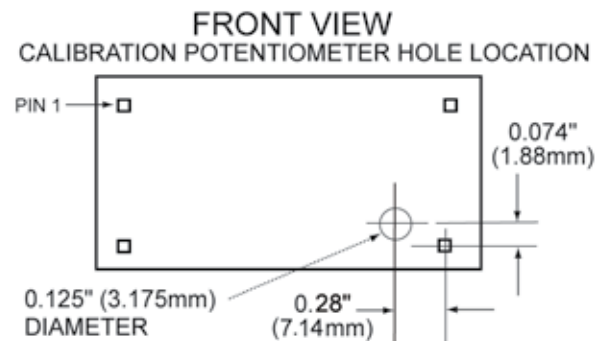
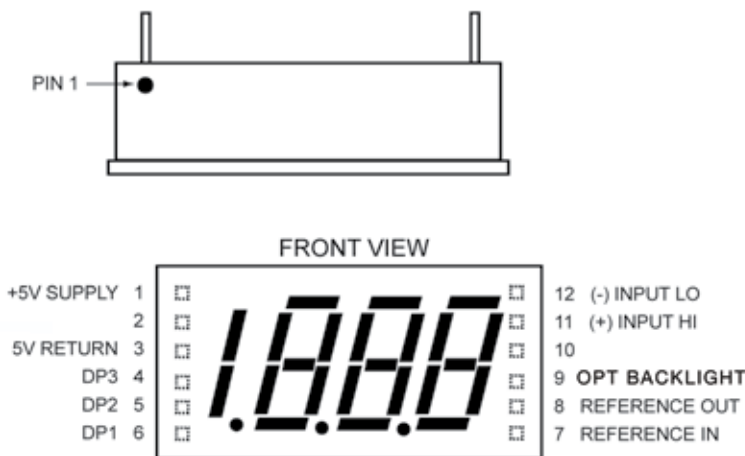
ORDERING INFO

PART NUMBER	BACKLIGHT	METER INPUT
DLA-200LCD	NONE	±200mV
DLA-200LCD-L	.5V POSITIVE GREEN	±200mV
DLA-201LCD	NONE	±2V
DLA-201LCD-L	.5V POSITIVE GREEN	±2V
DLA-202LCD	NONE	±20V
DLA-202LCD-L	.5V POSITIVE GREEN	±20V
DLA-203LCD	NONE	±200V
DLA-203LCD-L	.5V POSITIVE GREEN	±200V

ACCESSORIES

DLA-BEZ-20-G	Bezel Assembly
PW2-5	Regulated 120V AC to 5V DC Power Supply
CVC	Calibrator

WIRING



To enable DPs (Pin 4-6) connect to Pin 3 (5V return)
 Pin 3 should be tied to Pin 12 for normal operation
 Connect Pins 7 & 8
 To enable optional backlight, connect Pin 9 to Pin 3



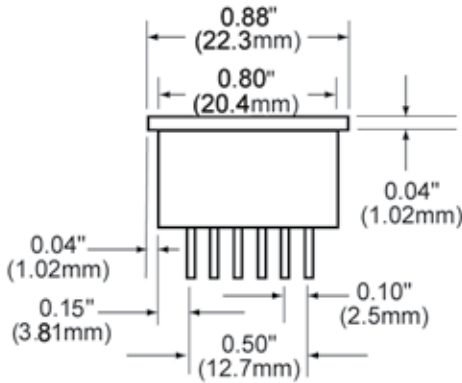
Specifications Installation and Operating Instructions
LCD Digital Panel Meters

3½ Digit LCD

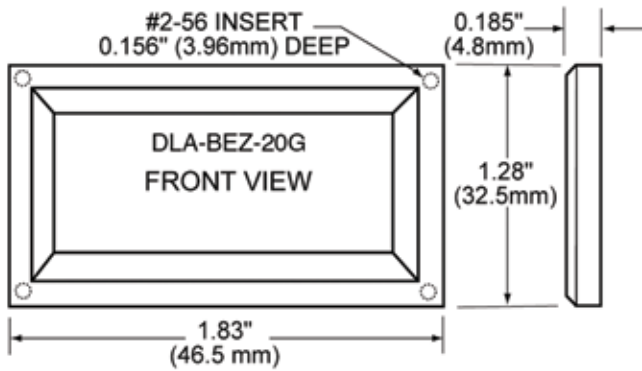
DLA-200LCD



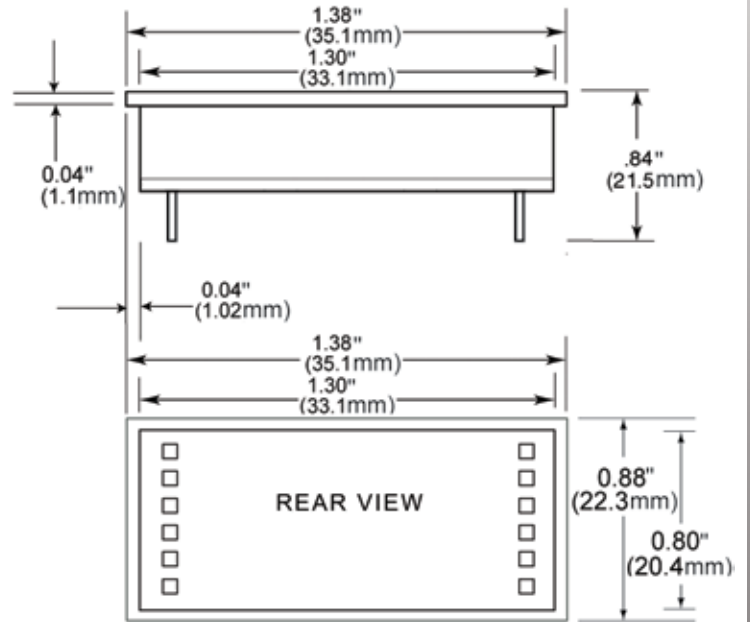
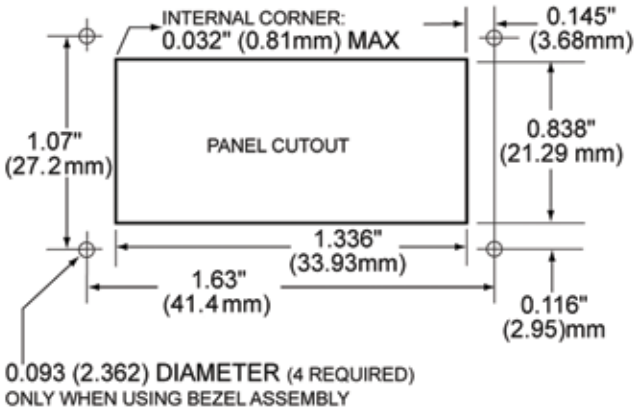
DIMENSIONS



BEZEL ASSEMBLY



RECOMMENDED PANEL CUTOUT



BEZEL ASSEMBLY

