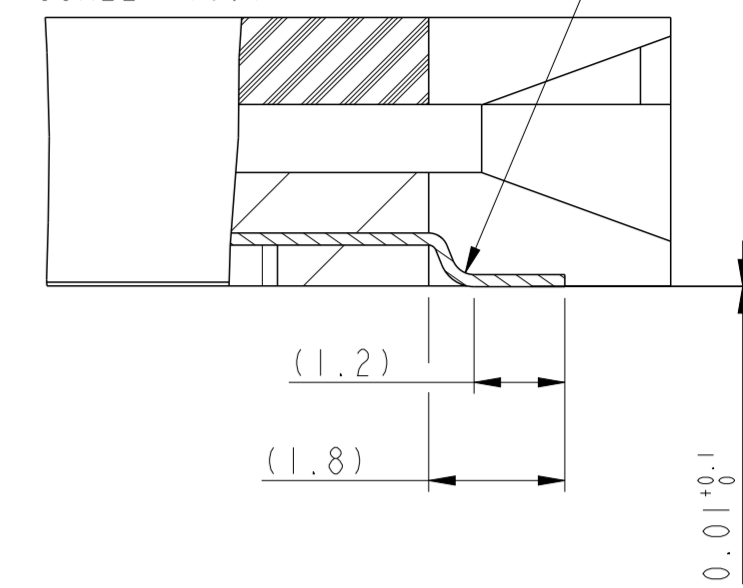
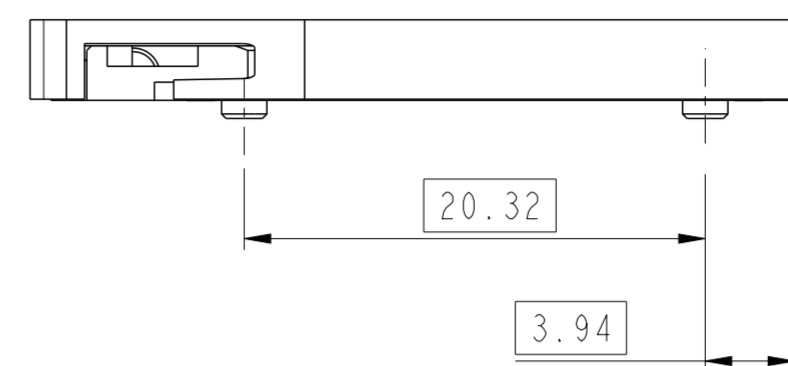
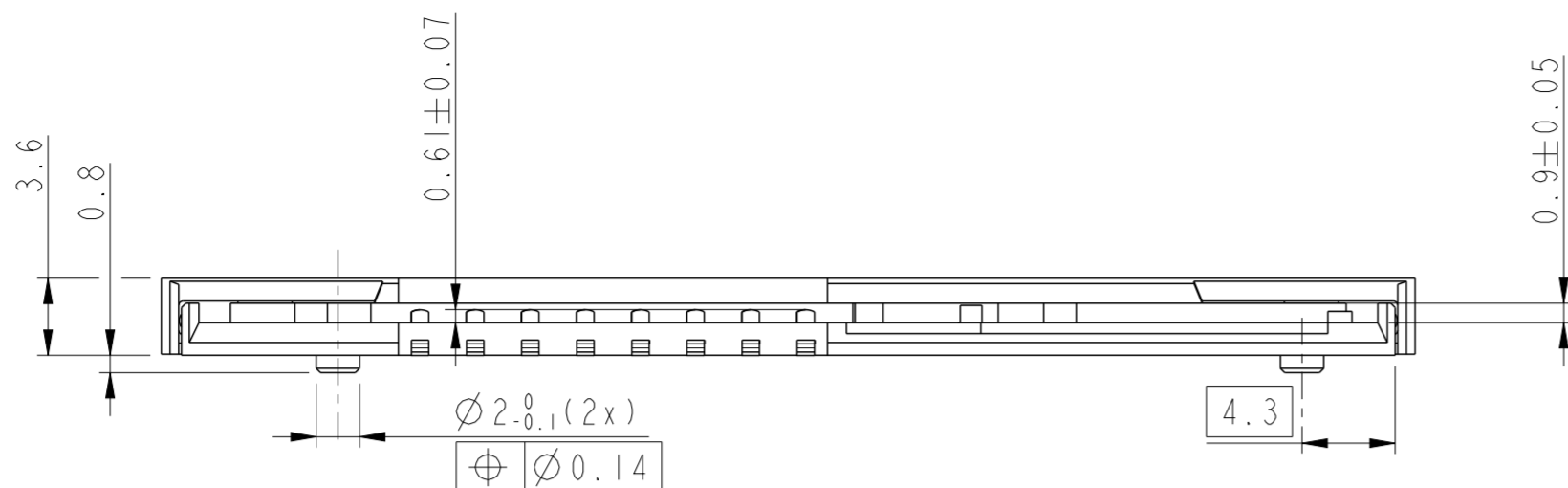


LEAD FREE CATALOGUE NUMBER

7312P0235A13LF

SECTION A-A  
SCALE 10:1



**DESCRIPTION**  
Connector especially designed for SMT technology  
EMV compatible and in accordance with ISO 7816-2

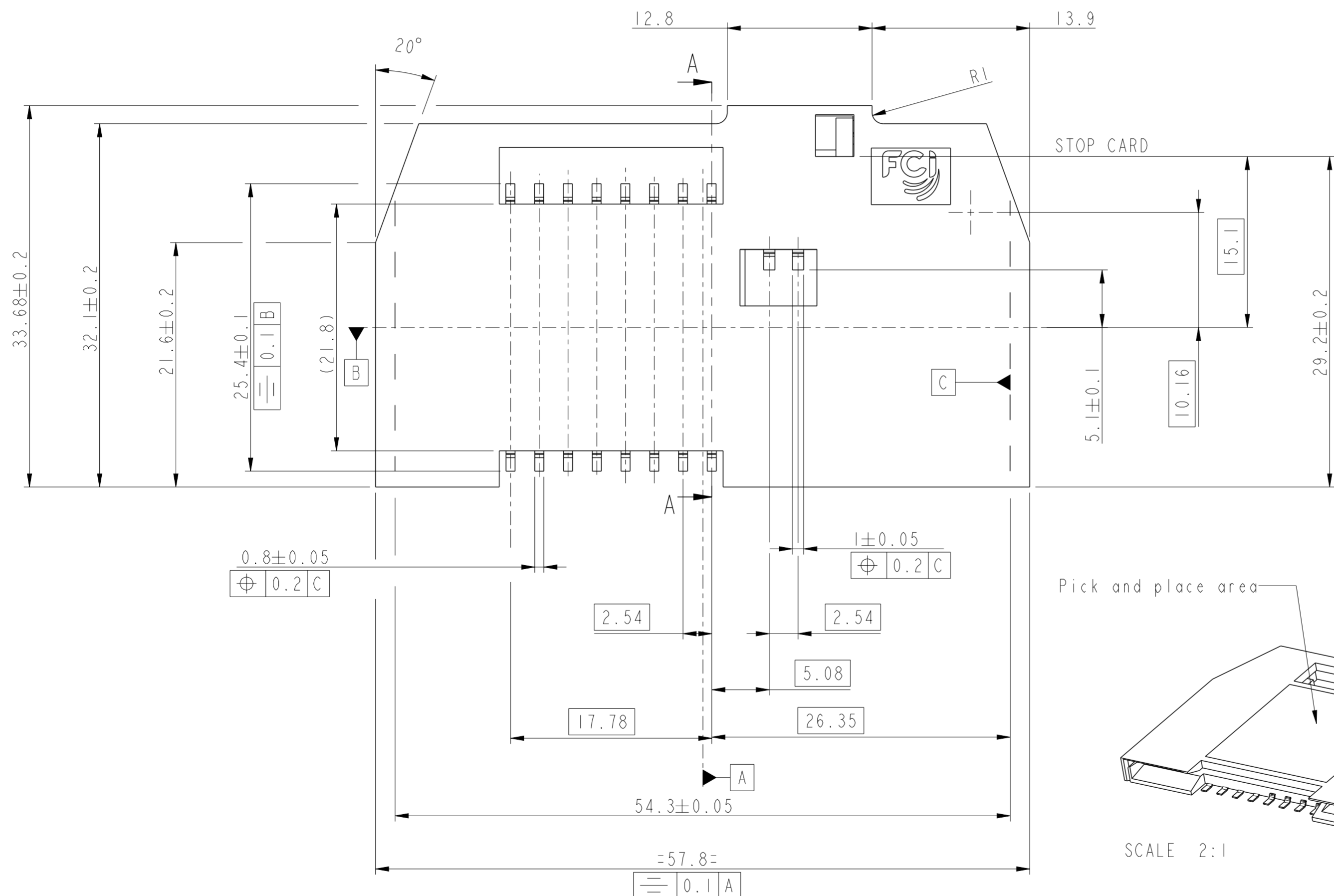
**MECHANICAL**  
Contacts force : between 0.2N-0.5N  
Durability : 100000 cycles  
Insertion force : 10N max  
Extraction force : 3N min

**ELECTRICAL**  
Insulation resistance : 1000MΩ  
Dielectric withstand voltage between card contacts and detection switch : 1000 Vrms  
contact resistance: 100 milliohms  
Current carrying : min 10 microA max 1A

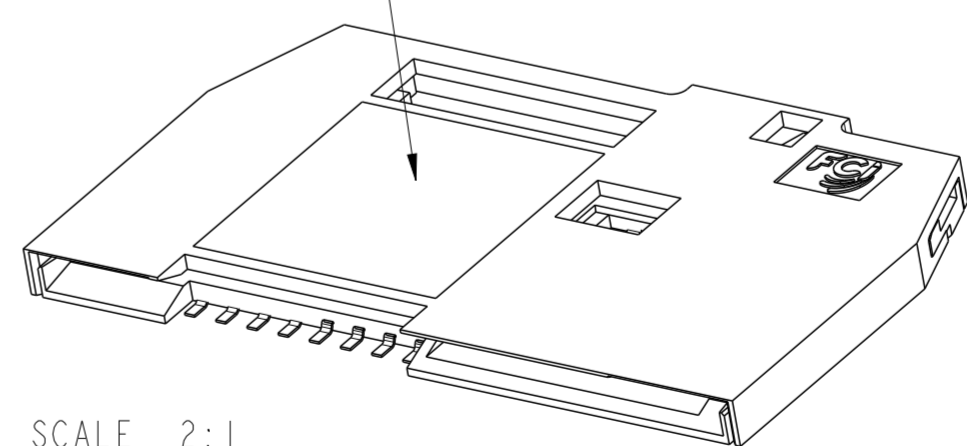
**SWITCH**  
Contact closed : contact resistance 100mΩ  
Open contact : voltage proof 300Vms

**MATERIAL**  
Contacts : copper alloy  
Plating : Gold / Equivalent PdNi over Nickel on contact area  
Solder falls : Sn bare edge allowed  
Housing : self extinguishing, Thermoplastic  
UL94-V0 rated

**ENVIRONMENT**  
Storage temperature : -40°C, +85°C  
Operating temperature : -20°C, +70°C  
Packaging : Tray  
Compatible reflow soldering process



Pick and place area



SCALE 2:1

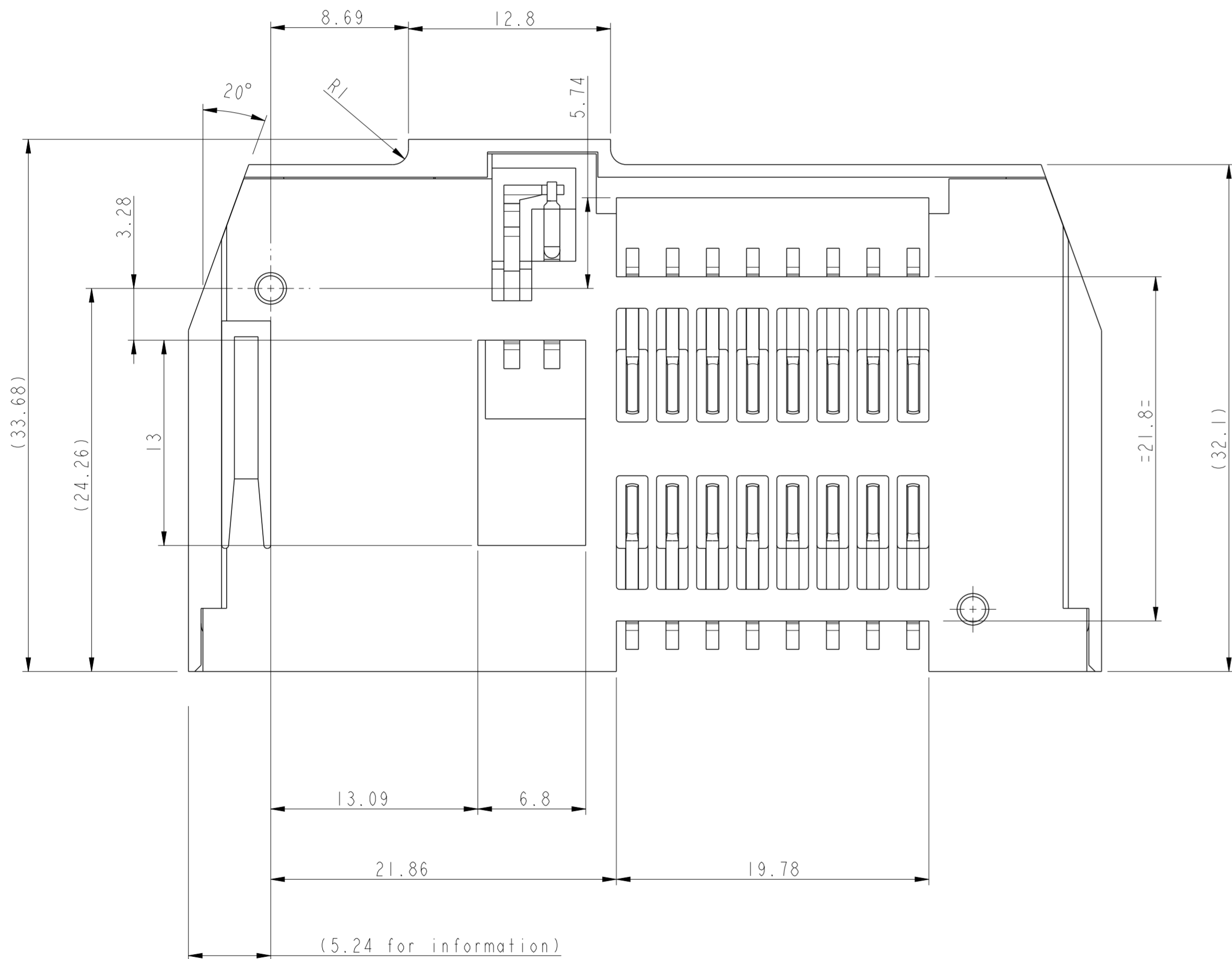
lfr	ecn no	dr	date
A	LS2030	PRI	2002/04/26
B	--	--	--
C	LS05-0047	LGO	2005/06/08
D	LS05-0059	HLE	2005/06/30
E	LS06-0208	HLE	2006/12/12
F	108-0035	RPK	2008/03/07
G	109-0239	RPK	2009/10/30

www.fciconnect.com		surface -- ✓	tolerance std	projection	mm
		ISO 1302	ISO 406 ISO 1101	⊕	
TOLERANCES UNLESS OTHERWISE SPECIFIED					
Dr	LEGRAND	1996/08/26	ANGULAR	LINEAR	Scale 3:1
Eng	TISSERAND	1996/08/26	0.X	±0.3	A2
Chr	RAMESH P K	2007/02/26	0.XX	±0.1	
Appr	SUDHIR V	2007/02/26	0.XXX	±0.05	ECN 109-0239
Product family			MOBILE I/O	Spec ref	--
CHIP CARD CONNECTOR				kg no	VJW53665
TYPE : P02 (16cts with cover)				Rev.	F
catalog no 7312P0235A13				CUSTOMER	sheet 1 of 2

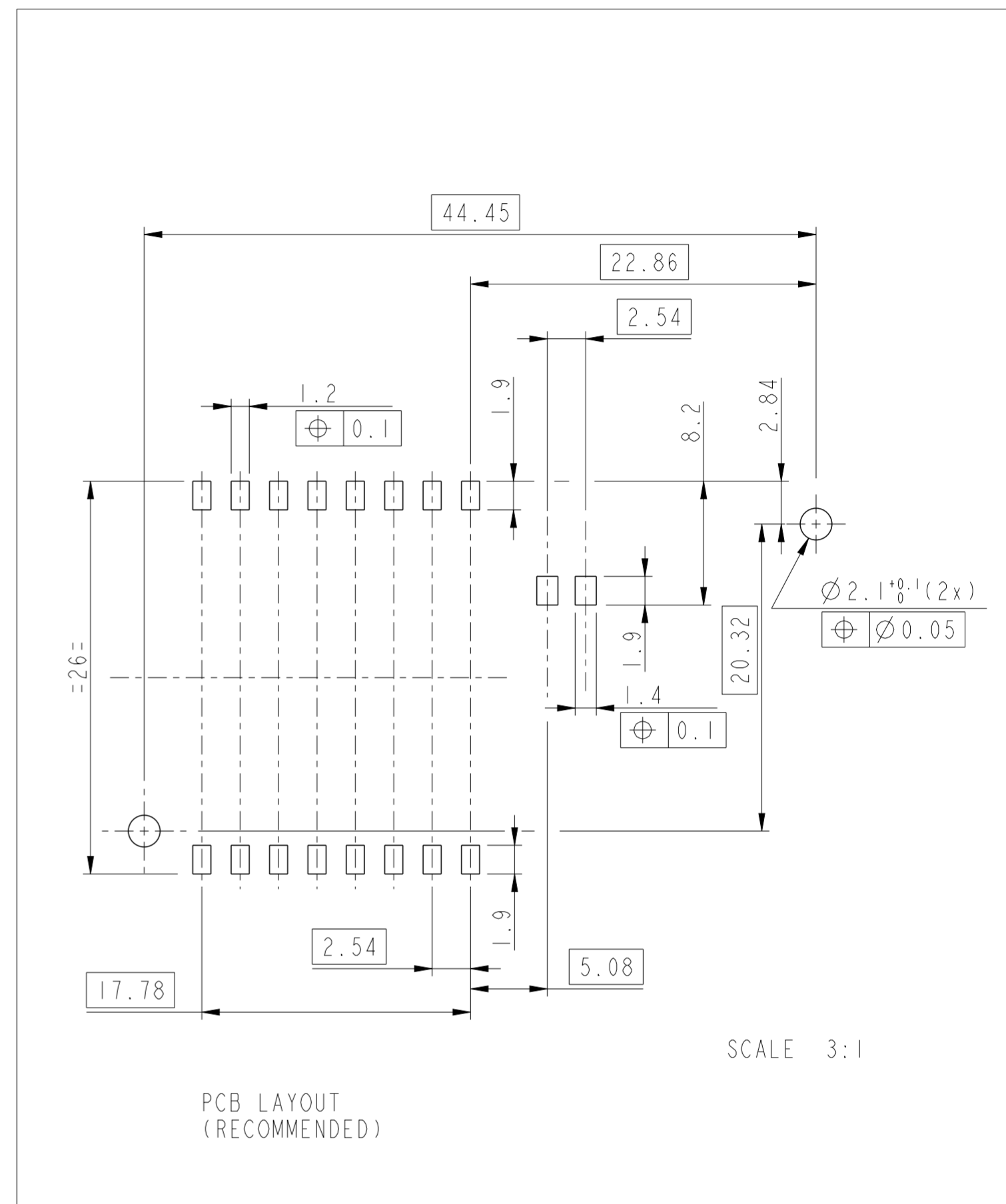
Copyright FCI.

LEAD FREE CATALOGUE NUMBER

7312P0235A13LF



LAYOUT FOR KEEP OUT ZONE  
(CONNECTOR SIDE)



NOTE: RoHS INFORMATIONS

- The "LF" products meet European Union Directives and other country regulations as described in GS-22-008.
- The housing will withstand exposure to 260°C peak temperature for 30 seconds in a convection, infra-red or vapor reflow oven. See Application notes/procedures, if they are available.
- Packaging spec: see GS-14-920

www.fciconnect.com		surface -- ✓	tolerance std ISO 1302	ISO 406	ISO 1101	projection	mm
		TOLERANCES UNLESS OTHERWISE SPECIFIED					
Dr	LEGRAND	1996/08/26	ANGULAR	0.x	±0.3	size	Scale
Eng	TISSERAND	1996/08/26	LINEAR	0.xx	±0.1	A2	4:1
Chr	RAMESH P K	2007/02/26	0° ±2°	0.xxx	±0.05	ECN	109-0239
Appr	SUDHIR V	2007/02/26	Product family	MOBILE I/O		Spec ref	--
		TITLE		CHIP CARD CONNECTOR		dwg no	VJW53665
		TYPE		P02 (16cts with cover)		Rev.	F
		catalog no		7312P0235A13		CUSTOMER	sheet 2 of 2