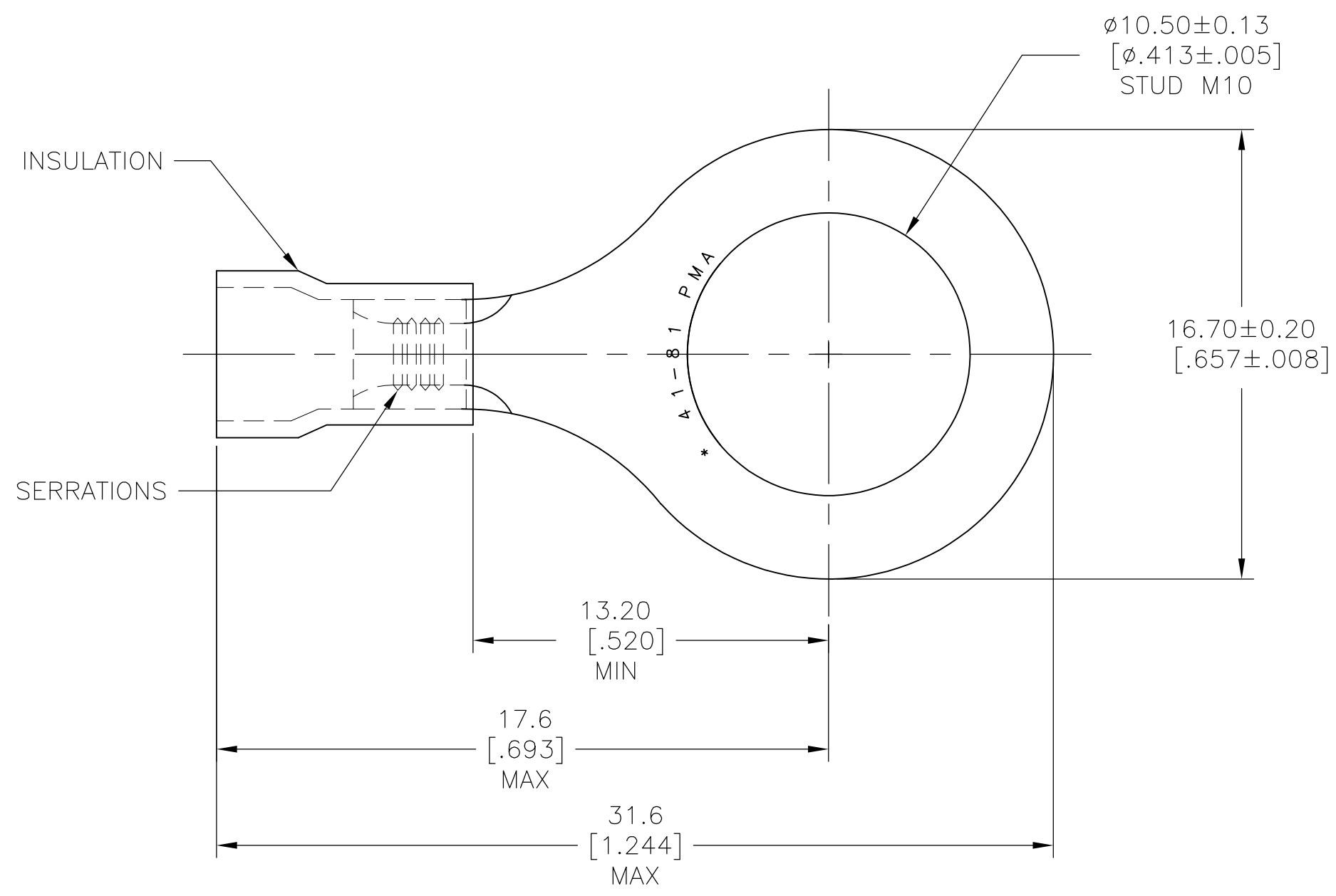


THIS DRAWING IS UNPUBLISHED. RELEASED FOR PUBLICATION
 © COPYRIGHT - By - ALL RIGHTS RESERVED.

LOC	DIST	REVISIONS					
		P	LTR	DESCRIPTION	DATE	DWN	APVD
-	-		B2	REVISED PER ECO-11-020548	06FEB12	KH	DR



- 1 COPPER PER ASTM B152
INSULATION: PVC, BLUE
- 2 TIN PLATED PER ASTM B545
- 3 FOR 3.00[.118] TO 4.90[.193]
MAX INSULATION DIAMETER.

500	LOOSE PIECE	160136
QTY	PACKAGE TYPE	PART NO

THIS DRAWING IS A CONTROLLED DOCUMENT.		DWN KIRAN HOLAL 06FEB12	STE TE Connectivity														
DIMENSIONS: mm [INCHES]		CHK ROHDE DANIEL 06FEB12															
TOLERANCES UNLESS OTHERWISE SPECIFIED:		APVD ROHDE DANIEL 06FEB12	NAME														
<table border="0"> <tr><td>0 PLC</td><td>± -</td></tr> <tr><td>1 PLC</td><td>± -</td></tr> <tr><td>2 PLC</td><td>± -</td></tr> <tr><td>3 PLC</td><td>± -</td></tr> <tr><td>4 PLC</td><td>± -</td></tr> <tr><td>ANGLES</td><td>± -</td></tr> </table>		0 PLC	± -	1 PLC	± -	2 PLC	± -	3 PLC	± -	4 PLC	± -	ANGLES	± -	PRODUCT SPEC	TERMINAL, RING TONGUE PLASTI-GRIP WIRE SIZE:16-14 AWG		
0 PLC	± -																
1 PLC	± -																
2 PLC	± -																
3 PLC	± -																
4 PLC	± -																
ANGLES	± -																
MATERIAL		APPLICATION SPEC	SIZE	CAGE CODE	DRAWING NO	RESTRICTED TO											
- 1		FINISH	A3 00779		C-160136	-											
- 2		CUSTOMER DRAWING		SCALE	SHEET	REV											
				5:1	1 OF 1	B2											