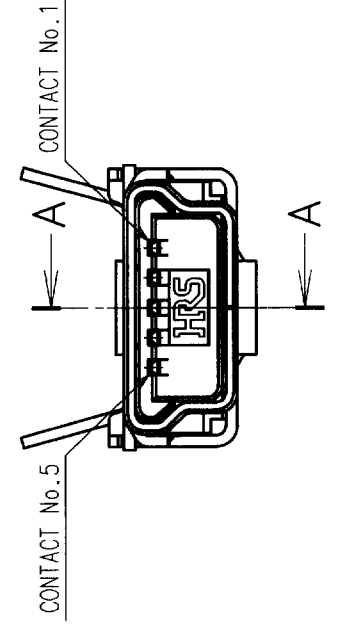
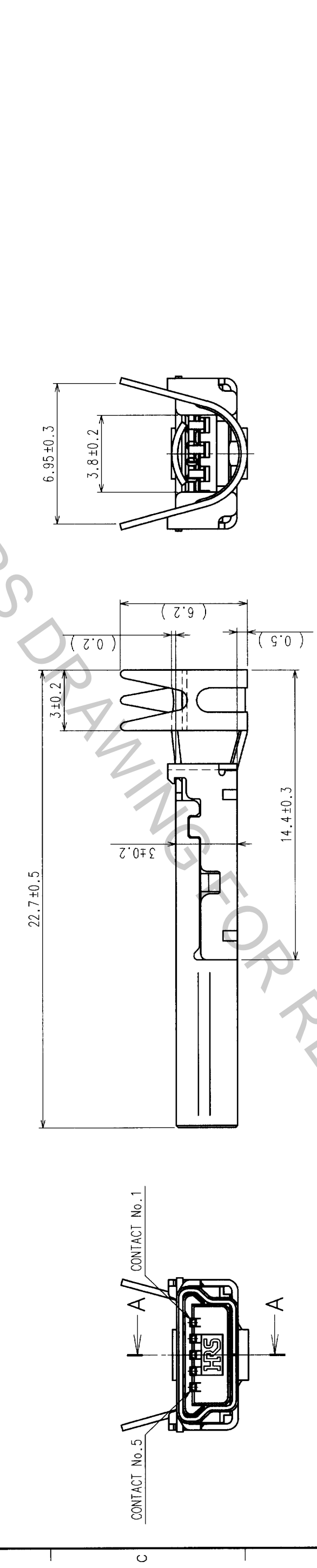
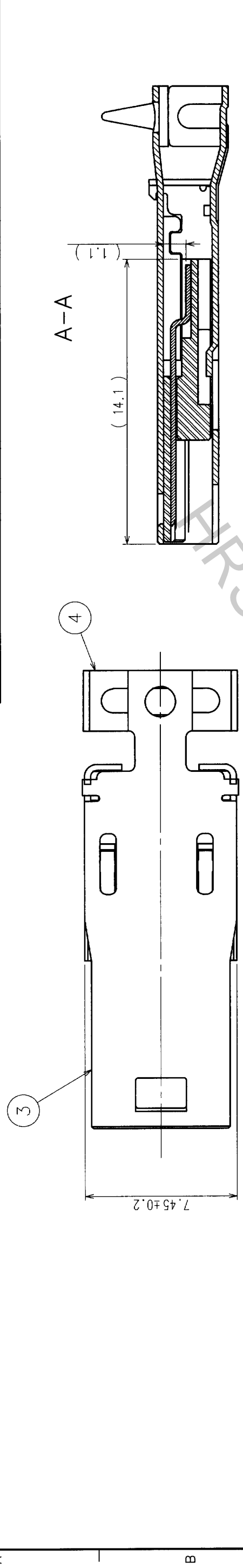
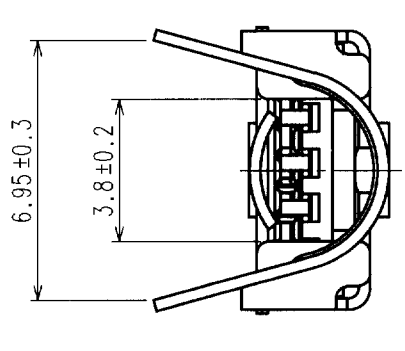
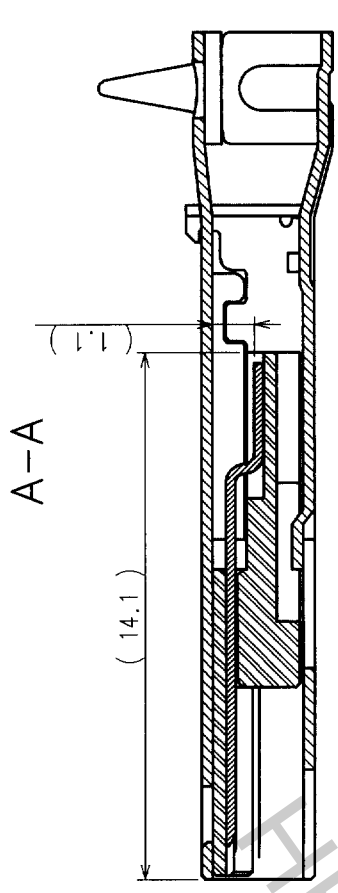
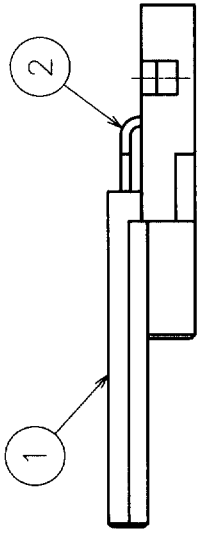
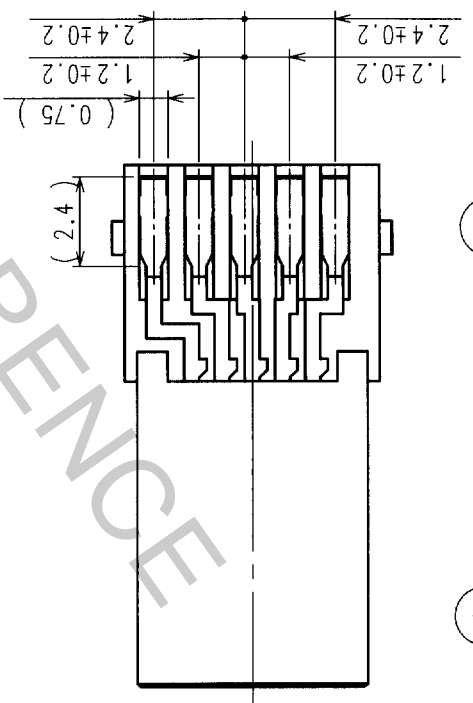


| COUNT | DESCRIPTION OF REVISIONS | BY | CHKD | DATE | COUNT | DESCRIPTION OF REVISIONS | BY | CHKD | DATE |
|-------|--------------------------|-----|------|----------|-------|--------------------------|----|------|------|
| 2 | RE-E-08445 | M.K | A.A | 02.02.22 | | | | | |
| | | | | | | | | | |
| | | | | | | | | | |



CONNECTOR UNIT



NOTES
 △ 1 INTERFACE DIMENSIONS CONFORM TO USB2.0 STANDARDS. (Mini-B)
 2 COMPONENTS OF REF. NO. ③ AND ④ ARE APPENDED PRODUCTS.
 △ 3 THE DIAMETER OF A CABLE SHOULD FOLLOW φ 3.5 TO φ 4.0 AS A GUIDE.
 (IT CHANGES A LITTLE WITH HARDNESS OF A SHEATH ETC.)

| NO. | COPPER ALLOY | SELECTED GOLD PLATING | 4 | STELL | TIN ALLOY PLATING |
|----------------|--------------|-----------------------|--------------|----------|-------------------|
| 2 | PBT | BLACK UL94V-0 | 3 | STELL | TIN ALLOY PLATING |
| NO. | MATERIAL | FINISH, REMARKS | NO. | MATERIAL | FINISH, REMARKS |
| CODE NO. (OLD) | | | DRAWN | DESIGNED | CHECKED |
| | | | T. SAKAIZAWA | M. KENJO | A. SUZUKI |
| | | | 01.09.14 | 01.09.14 | 01.09.14 |
| | | | | | S. KIKUTA |
| | | | | | 01.09.14 |
| | | | | | 01.09.14 |
| | | | | | 01.09.14 |

| | | | |
|----|--|--|--|
| TO | | | |
|----|--|--|--|

| | | | |
|-------------|-------------|----------|--------------|
| DRAWING NO. | EDC3-123212 | PART NO. | UX40-MB-5P |
| SCALE | 5 : 1 | CODE NO. | CL240-0004-7 |
| UNITS | mm | | |



HIROSE ELECTRIC CO., LTD