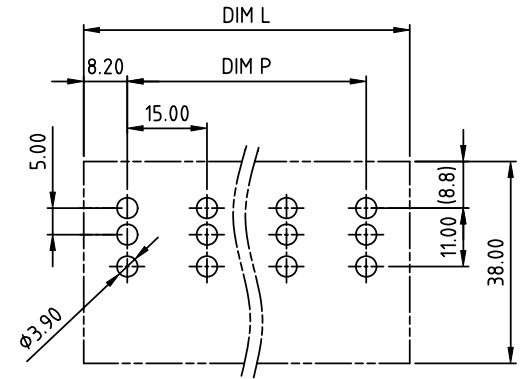
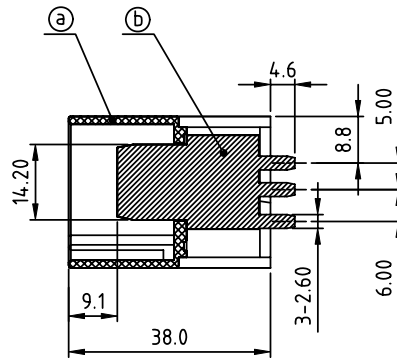
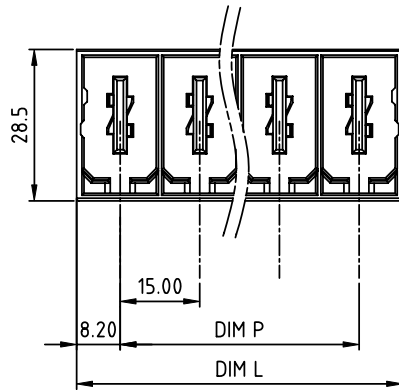
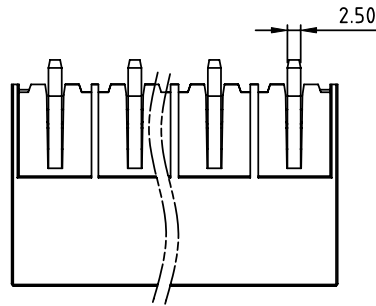


PRODUCT NUMBER	PITCH
KUxxC0x000J0G	15.00 mm



RECOMMENDED P.C.B LAYOUT
TOP VIEW

- Material:
- Item ① Terminal housing: Thermoplastic (UL94 V-0)
 - Item ② Male contact: Copper, Gold plated.
- Electrical:
- Voltage rating: 600 V
 - Current rating: 115 A
 - Withstanding Voltage: 2.2 KV
 - Operating temperature: -40°C to +115°C
 - Soldering temperature: 260°C±5°C/5 Sec
 - Safety Approval:

PART NO.: KU xx C 0 x 0 00J0 G

Dim L=(N-1)×15.00+16.4

Dim P=(N-1)×15.00

N=Number of poles

Poles	Tolerance
2p-4p	±0.20
5p-7p	±0.35
8p-10p	±0.50

Solid block	No. of poles	Color	RoHS compliant (lead<4% in copper Alloy)
0	2	Black (RAL9005)	
02	2	Red (RAL3001/D)	
03	3	Orange(RAL2011/P)	
4	3	Yellow(RAL1018/A)	
...	...	5 Green(RAL6018/T)	
10	10	6 Blue (RAL5015/A)	
		8 Grey(RAL7035/D)	
		9 White(RAL1102)	
		C Green(RAL6018/U)	

mat'l. code		surface ASME Y14.5	tolerance ASME Y14.5	projection 	product family TERMINAL BLOCK
ltr	ecn no	dr	date	tolerances unless otherwise specified	title TERMINAL BLOCK
				angles X±0.5	PLUGGABLE SOCKET ,VERTICAL
				fin X.X±0.3	scale MM
				X*±1° X.XX±0.1	dwg no KUxxC0x000J0G
		dr	EVIN ZHONG	050814	sheet 1 of 1
		enr	EVIN ZHONG	050814	size A4
		chr	HANKE FENG	050814	type CUSTOMER Drawing
		appd	SHI JUN	050814	
sheet index	revision sheet	A	1		