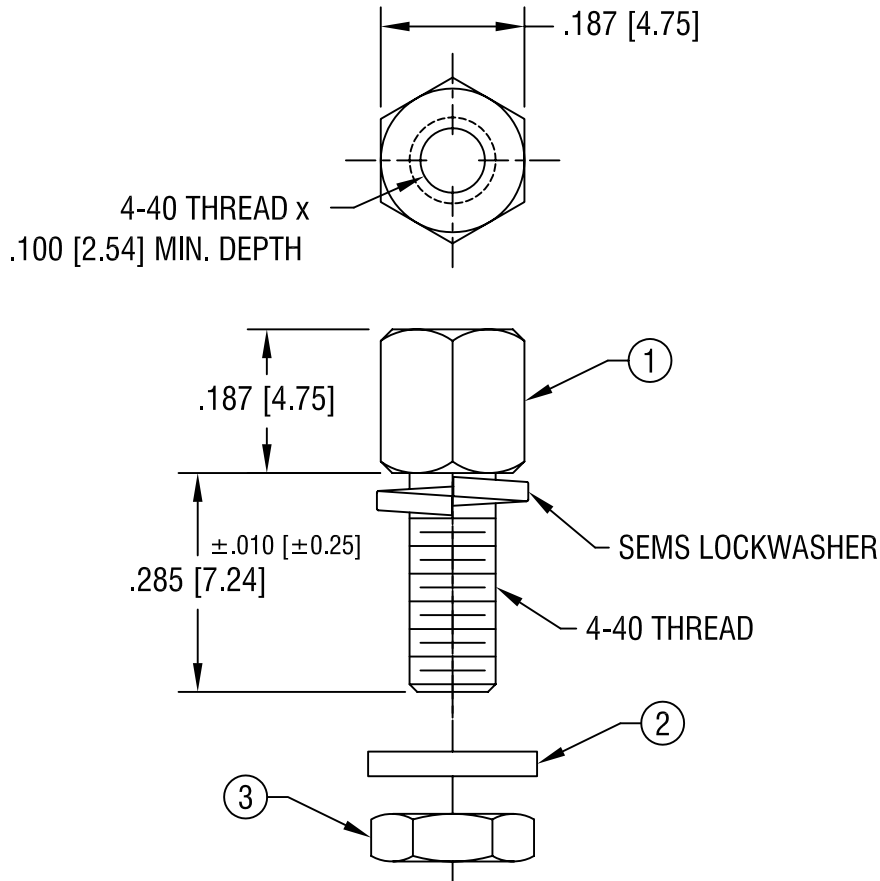


THIS DOCUMENT IS THE PROPERTY OF
KEYSTONE ELECTRONICS CORP. AND
SHALL NOT BE REPRODUCED, DISTRIBUTED
OR USED AS A BASIS FOR MANUFACTURE
WITHOUT PRIOR WRITTEN PERMISSION
FROM KEYSTONE ELECTRONICS CORP.



| NO. | PART NO. | DESCRIPTION | QTY |
|-----|----------|-----------------|-----|
| 1 | 7235 | SEMS JACK SCREW | 1 |
| 2 | 7235-1 | FLAT WASHER | 1 |
| 3 | 7235-3 | NUT | 1 |

KEYSTONE ELECTRONICS CORP.

ASTORIA, N.Y. 11105-2017

PART NAME

SEMS JACK SCREW & HARDWARE

MATERIAL

STEEL

FINISH

ZINC PLATE
CLEAR CHROMATE

DRN BY

BOONE

DATE

1.7.97

APP'D

LN

SCALE

4X

TOLERANCES

INCH [MM]

DECIMAL ±.005 [±0.15]

ANGULAR ± 1°
UNLESS OTHERWISE SPECIFIED

CODE

C/M

DWG NO.

7236

DATE

DESCRIPTION

REV.