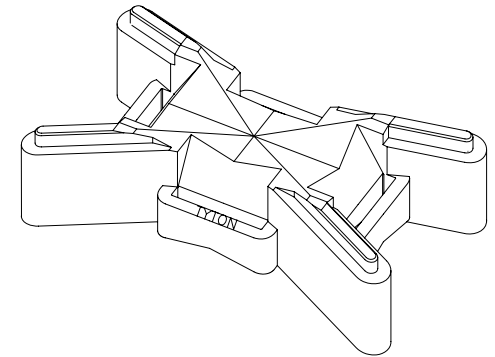
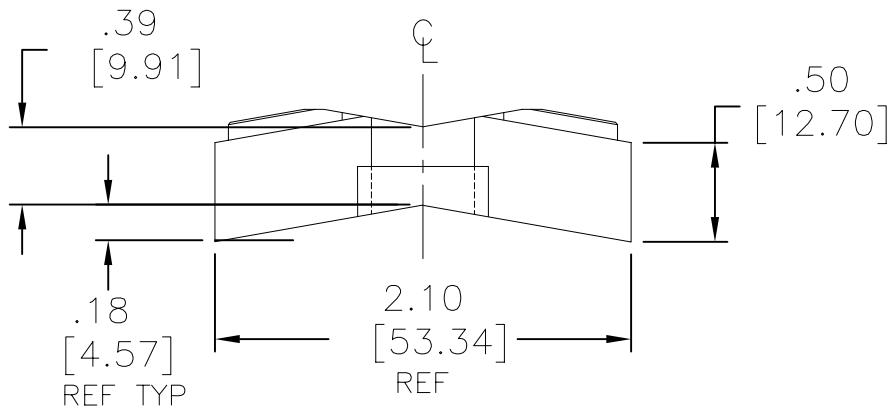
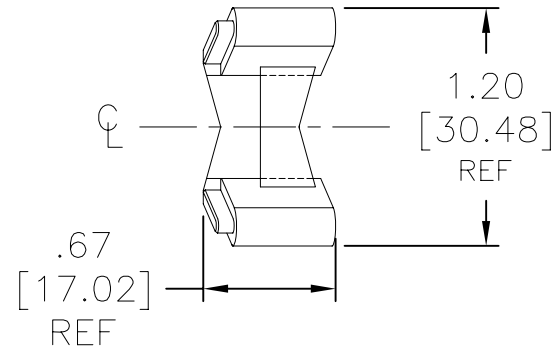
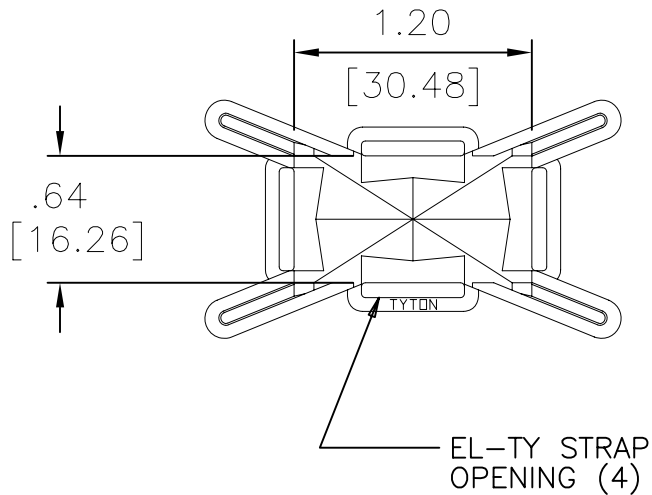


Revision level		Revision Record	Changed	Date	Approved	Date
part	drawing					
A	C					



PRODUCT CODE	MATERIAL
TELS-SP	POLYPROPYLENE - BLACK
TELS-SPHS	NYLON 6/6 HEAT STABILIZED BLACK

SEE CHART

Material

Dimension tolerances unless otherwise specified  
 .XXXX =  
 .XXX =  
 .XX = ± .01 / [.25]  
 .X =  
 < =

Dimension Units in / [mm]

PERFORMANCE SPECIFICATION

**ACAD**

ALL PROPRIETARY RIGHTS IN THE SUBJECT MATTER SHOWN ON THIS DRAWING ARE EXCLUSIVE PROPERTY OF HELLERMANN TYTON

Drawn K.A.C. 05/09/94  
 Approved K.A.C. 05/22/01

**HellermannTyton®**

7930 N. Faulkner Rd.  
 Milwaukee, WI 53224  
 Ph: (414) 355-1130  
 Fx: (414) 362-8338

Scale 1:1  
 Title  
 Computer File Number CT/CST/1075005C  
 Phase: Production

**TELS-SP  
 EL-TY SPACER**

Drawing-No  
**CT1075005CST**

Format D. Size **AH**  
 Sheet 1 / 1