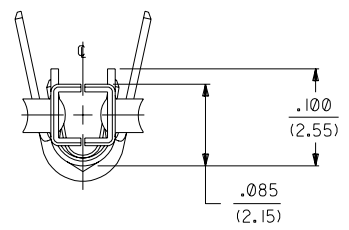
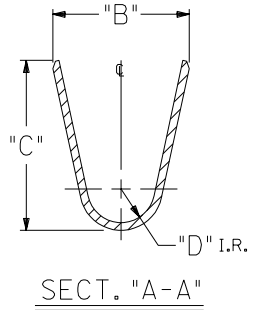
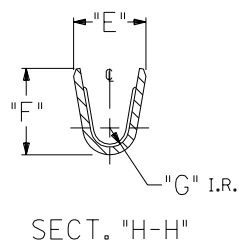
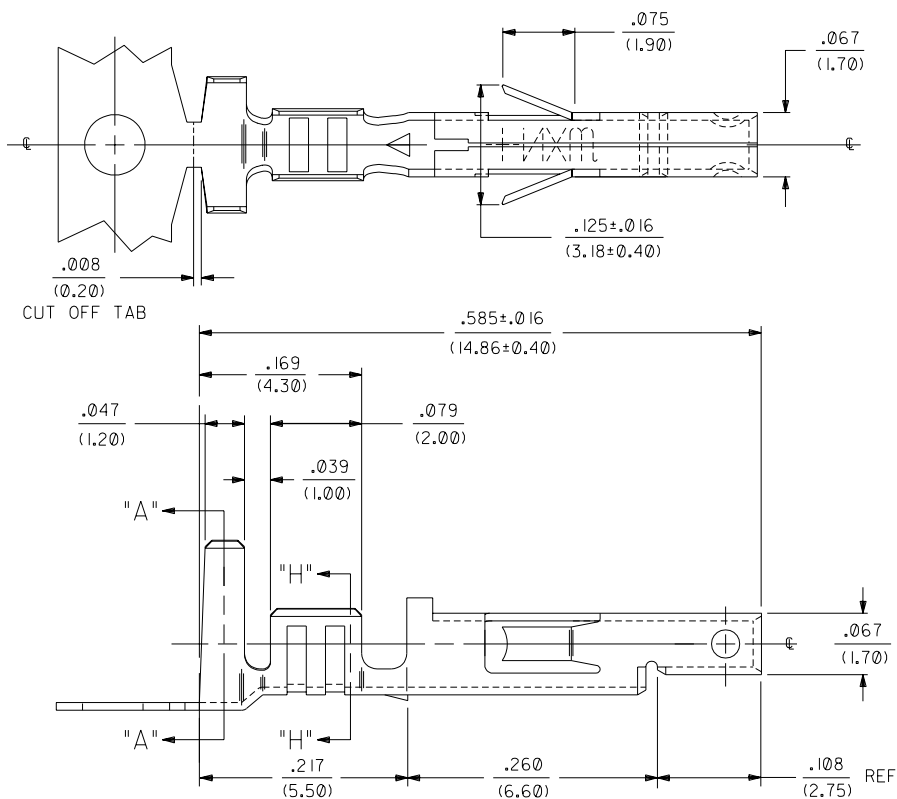


ITEM NO.	FORM	WIRE GAGE	QUANTITY PER REEL	DIM. "B"	DIM. "C"	DIM. "D"	DIM. "E"	DIM. "F"	DIM. "G"
44476-1211	CHAIN	18-20 GA.	4,000	.142±.012	.177±.016	.035	.075±.012	.091±.016	.020
44476-1212	LOOSE			(3.60±0.30)	(4.50±0.40)	(0.90)	(1.90±0.30)	(2.30±0.40)	(0.50)
44476-3211	CHAIN	16 GA.	4,000	.142±.012	.177±.016	.035	.091±.012	.106±.016	.024
44476-3212	LOOSE			(3.60±0.30)	(4.50±0.40)	(0.90)	(2.30±0.30)	(2.70±0.40)	(0.60)



- NOTES:
- MATERIAL: OLIN ALLOY C197, .008/(.203) THICK.
  - FINISH:
    - \*2= .000030/(.00076) MIN. SELECT GOLD, .000100/(.00254) MIN. MATTE TIN OVER .000050/(.00127) MIN. NICKEL OVERALL.
    - \*THE PRIMARY SHIPPING CARTON WILL BE LABELED "COMPLIANT TO RoHS DIRECTIVE 2002/95/EC AND ELV ANNEX II OF DIRECTIVE 2000/53/EC." CARTONS WITHOUT THIS LABEL MAY CONTAIN PRODUCT WITH TIN-LEAD PLATING.
  - PRODUCT SPECIFICATIONS AND PROCESSING PARAMETERS: SEE PS-44476-001.
  - MATES WITH 44478 MALE TERMINAL AND 43810, 44068, 44472, 44473, 44474, 42404, 5569 AND 30070 SERIES CONNECTORS.
  - TERMINAL FOR USE WITH 5557, 30067 & 42474 SERIES HOUSINGS.
  - PART DESIGNED IN METRIC.
  - ITEM NUMBERS PRECEDED BY AN "X" IN THE CHART ARE NOT AVAILABLE.

**LEGEND:**

44476 - \* \* | \*

BASE NO. \_\_\_\_\_

WIRE GAGE \_\_\_\_\_

1 = 18-20 AWG

3 = 16 AWG

PLATING \_\_\_\_\_

SEE NOTE 2

CHAIN OR LOOSE \_\_\_\_\_

"1" = CHAIN

"2" = LOOSE

REMOVED TIN-LEAD: EC NO. UCP2004-1821 DRAWING: CAMPBELL 04/03/19 CHK: GPOLGAR 04/03/19 APPR: MARGULIS 04/03/19	QUALITY SYMBOLS	GENERAL TOLERANCES: (UNLESS SPECIFIED)	SCALE 10:1	DESIGN UNITS <input checked="" type="checkbox"/> mm <input type="checkbox"/> INCH	DIMENSIONS: <input type="checkbox"/> mm <input checked="" type="checkbox"/> INCH <input type="checkbox"/> mm ONLY		SHT	REV
	MAJOR $\nabla = 0$	4 PLACES ±0.--- ±.---	mm INCH	DRAWN BY & DATE JIWANG 00/11/20	THIRD ANGLE PROJECTION			REVISE ON CAD ONLY
CRITICAL $\nabla C = 0$	3 PLACES ±0.--- ±.010		CHECKED BY & DATE MBANDURA 00/11/20	TITLE: TERM., FEMALE, CRIMP, MINI-FIT H.C.S. SERIES, BLANK-PLATE-FORM				
	2 PLACES ±0.25 ±.014		APPROVED BY & DATE REDGLEY 00/11/20	MOLEX INCORPORATED				
	1 PLACE ±0.36 ±.---		CAD FILENAME	MATERIAL NO. 444760002	DRAWING NO. SD -44476-002	SHEET NO. 1 OF 1		
	ANGULAR: ±1/2 °		DRAFT WHERE APPLICABLE MUST REMAIN WITHIN DIMENSIONS		THIS DRAWING CONTAINS INFORMATION THAT IS PROPRIETARY TO MOLEX INCORPORATED AND SHOULD NOT BE USED WITHOUT WRITTEN PERMISSION.			