

PART  
NAME

STEM LEVELER

PART  
No.

RL-7766, RL-7767, RL-7771

REV.  
DATE

10-29-08

LOAD RATING:

ALL LEVELERS \_\_\_\_\_ 200 LBS.

MATERIAL:

STEMS & CAPS, HEX NUTS \_\_\_\_\_ STEEL

PADS \_\_\_\_\_ AS NOTED

FINISH:

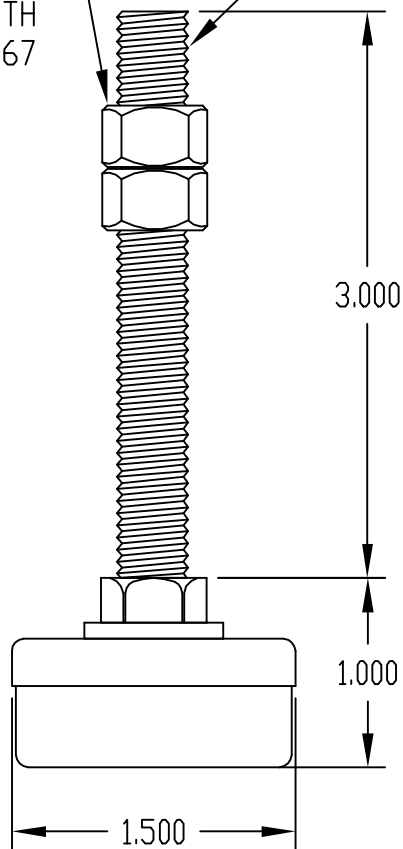
STEMS & CAPS \_\_\_\_\_ ZINC PLATE WITH  
CLEAR CHROMATE

HEX NUTS \_\_\_\_\_ ZINC PLATE

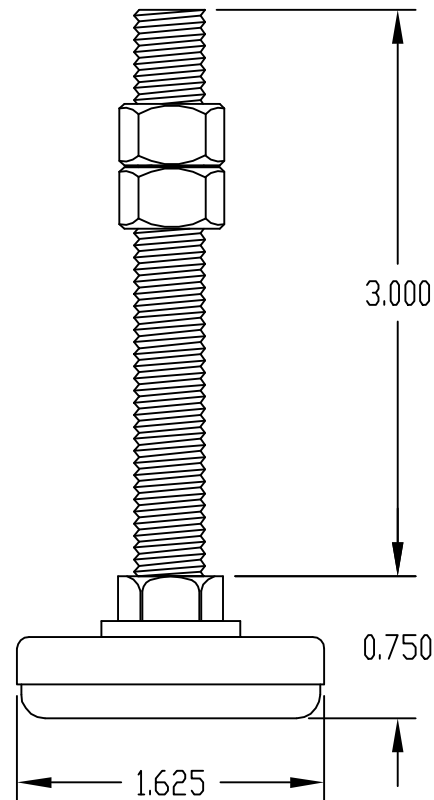
PADS \_\_\_\_\_ AS NOTED

QTY. (2) HEX NUTS  
SUPPLIED WITH  
RL-7766 & RL-7767

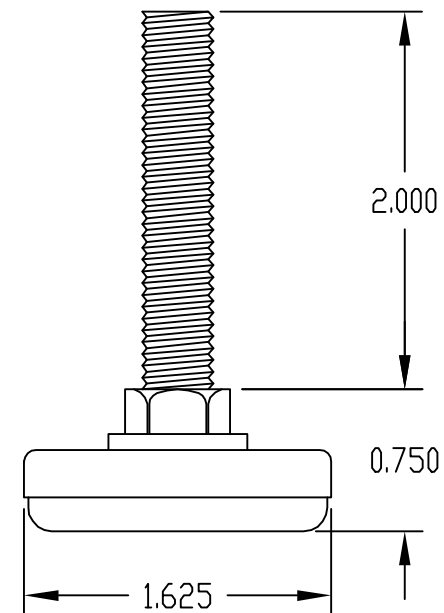
3/8-16 THREAD  
TYP. ALL STEMS



RL-7766  
GREY RUBBER PAD



RL-7767  
WHITE NYLON PAD



RL-7771  
WHITE NYLON PAD  
HEX NUTS NOT SUPPLIED