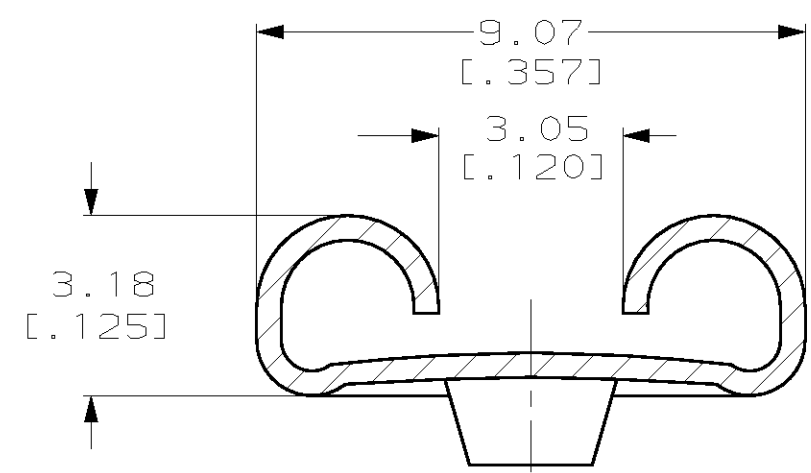
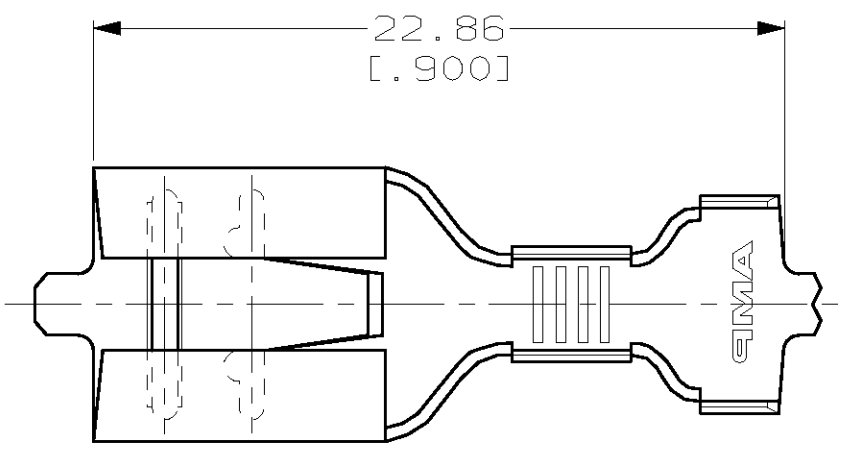
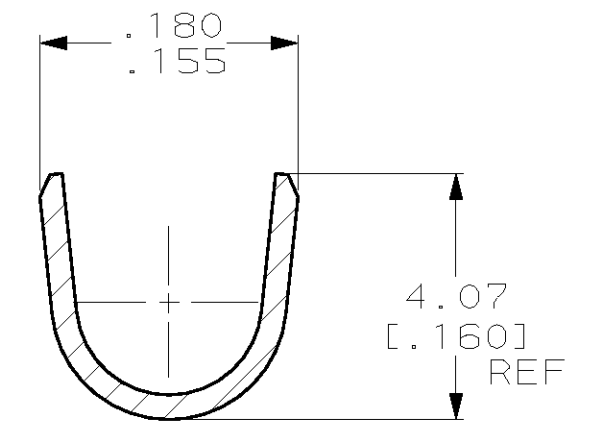
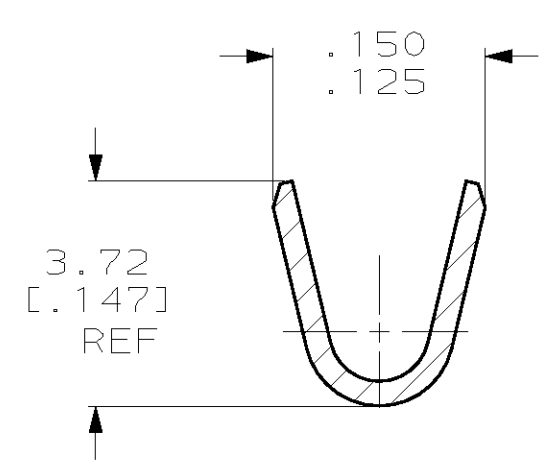
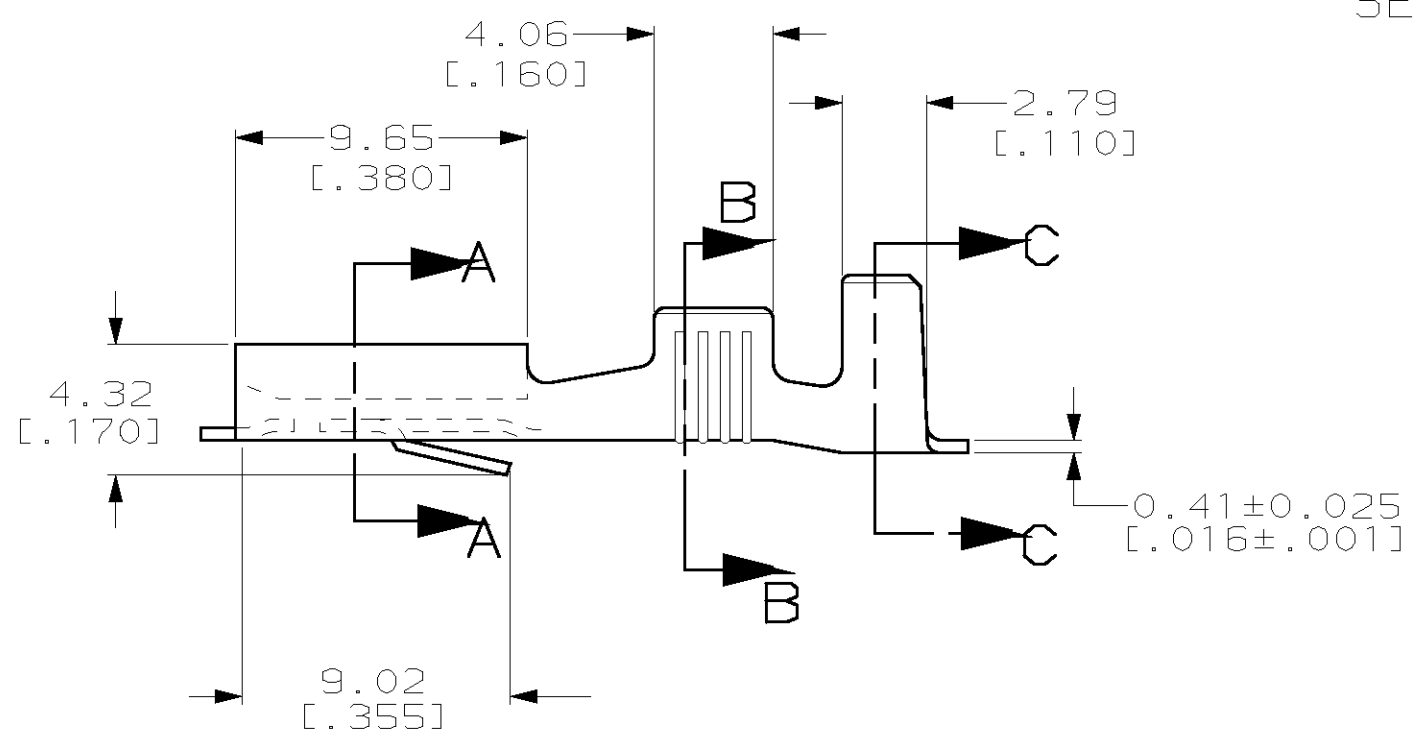


THIS DRAWING IS UNPUBLISHED. RELEASED FOR PUBLICATION, 19 .  
 © COPYRIGHT 19 BY AMP INCORPORATED. ALL RIGHTS RESERVED.

LOC	DIST	REVISIONS			
P	LTR	DESCRIPTION	DATE	DWN	APVD
AF	50				
	C	REDRAWN PER 0L10-0267-97	6/18/97	JR	JG



- 1 CONTINUOUS STRIP ON REELS.
- 2 MATING TAB THK TO BE 0.81±0.025 [.032±.001].
- 3 WIRE SIZE IS [#18-#14] AWG.
- 4 INSULATION RANGE IS 2.29-3.30 [.090-.130] DIA.



62392-1  
PART NO.

TYPE	WIDTH	STRIP LENGTH	TYPE	WIDTH	HEIGHT	WIRE
INSUL BARREL CRIMP	3.56 [.140]	5.59 [.220]	F	2.79 [.110]	1.85 [.073] [#14]	
					1.62 [.064] [#16]	
					1.47 [.058] [#18]	
		±0.38 ±[.015]			±.051 [±.002]	
			WIRE BARREL CRIMP			

THIS DRAWING IS A CONTROLLED DOCUMENT.

DIMENSIONS: MM [INCHES]	TOLERANCES UNLESS OTHERWISE SPECIFIED:
	0 PLC ±-
	1 PLC ±-
	2 PLC ±0.38 [.015]
	3 PLC ±-
	4 PLC ±-
	ANGLES ±1°
MATERIAL H04 BRASS	FINISH -

DWN	JR RUTH	6/18/97
CHK	MS FEHER	6/18/97
APVD	J GILLESPIE	6/18/97
PRODUCT SPEC		
APPLICATION SPEC	114-2065	
WEIGHT	-	
CUSTOMER DRAWING		

**AMP** AMP Incorporated  
Harrisburg, PA 17105-3608

RECEPTACLE, FASTIN-FASTON,  
7.92 [.312] SERIES

SIZE	CAGE CODE	DRAWING NO	RESTRICTED TO
A3	00779	C-62392	-
SCALE 4:1		SHEET 1 OF 1	REV C