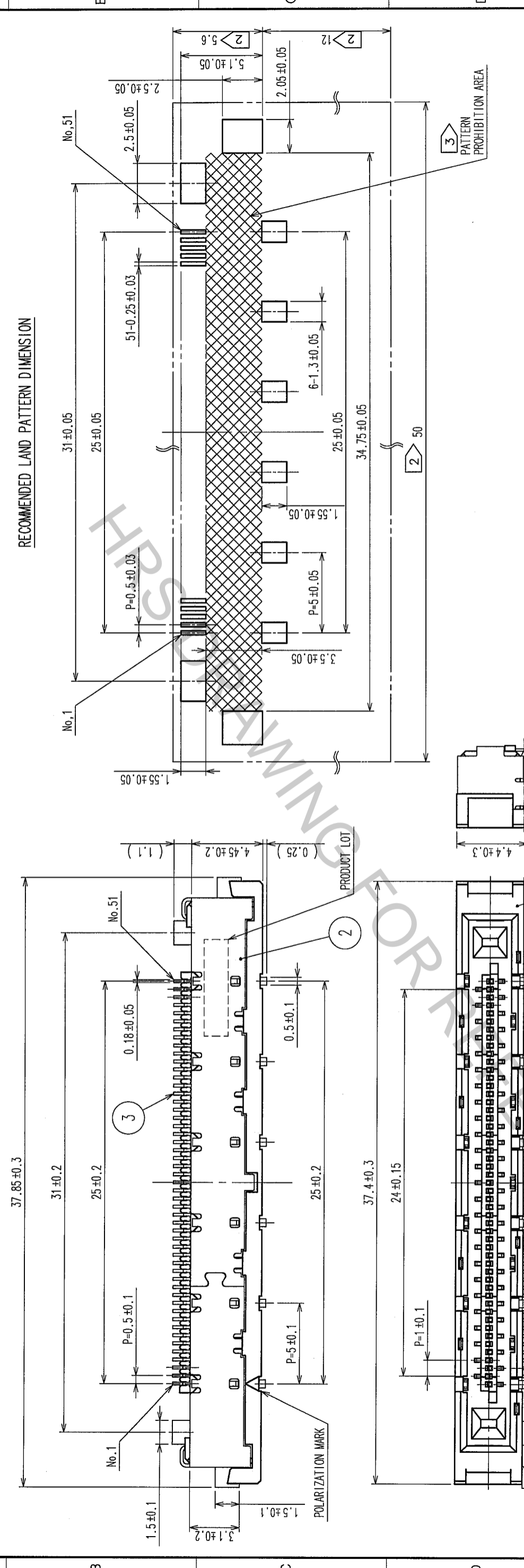


COUNT	DESCRIPTION OF REVISIONS	BY	CHKD	DATE	COUNT	DESCRIPTION OF REVISIONS	BY	CHKD	DATE



NO.	MATERIAL	FINISH, REMARKS	NO.	MATERIAL	FINISH, REMARKS
2	STAINLESS STEEL	TIN PLATING	3	COPPER ALLOY	
1	PA	BLACK, UL94 V-0			
NO. MATERIAL FINISH, REMARKS		NO. MATERIAL FINISH, REMARKS		FINISH, REMARKS	
CODE NO. (OLD)		DRAWN		DESIGNED	CHECKED
		T. NODA '07.07.26		H. Noda '07.07.26	E. Nakatani '07.07.26
				APPROVED	RELEASED
				H. Okawa '07.07.26	

CONTACT AREA:	LEAD AREA:	UNDER PLATING:
GOLD 0.1μm min.	TIN PLATING 1μm min.	NICKEL 0.5μm min.

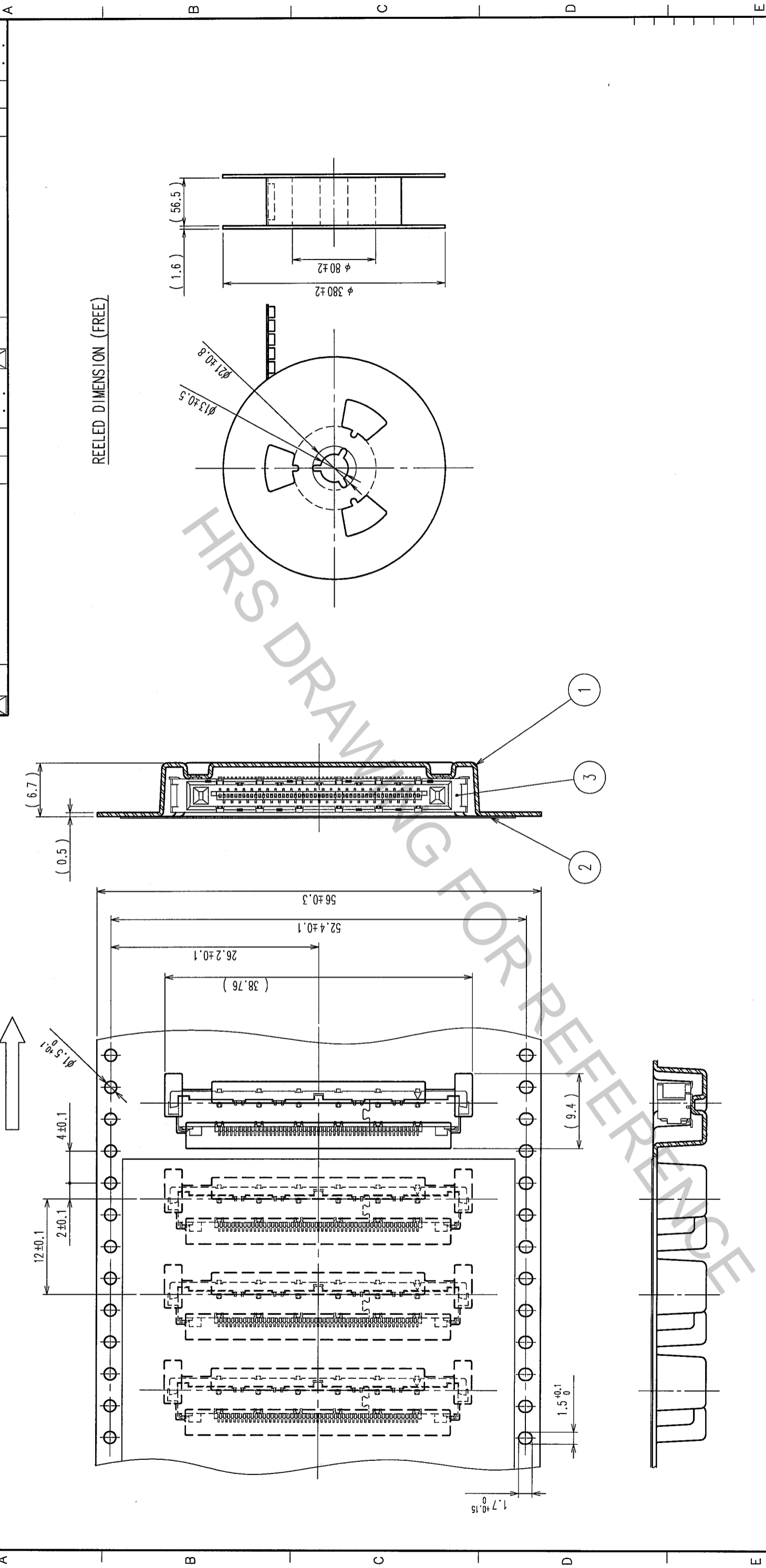
DRAWING NO.	PART NO.
EDC3-156704	FX15SC-51S-0.5SH
SCALE	CODE NO.
4 : 1	CL575-2311-5
UNITS	
mm	

NOTE 1 LEAD CO-PLANARITY OF THIS PRODUCT TO BE 0.1MMAX.  
 2 DO NOT MOUNT OTHER DEVICES ONTO [ ] AREA, OR MATINGPAIR CANNOT BE MATED AND OPERATED THE LOCK PARTS.  
 3 [ ] AREA OF INNER SMT LAND REQUIRES PATTERN PROHIBITION OR RESIST TREATMENT TO PREVENT THE PATTERN TOUCHING TO THE CONTACTS.  
 4 PACKAGING FOR THIS PRODUCT APPLIES EMBOSSED CARRIER TAPE PACKAGING. SEE SHEET 2/2 FOR DETAILS.  
 5 FINE SCRATCHES COULD BE FOUND ON THE SURFACE OF REF. ⊙GROUND PLATE, WHICH DOES NOT AFFECT THE PERFORMANCE.

TO	

COUNT	DESCRIPTION OF REVISIONS	BY	CHKD	DATE	COUNT	DESCRIPTION OF REVISIONS	BY	CHKD	DATE
△					△				
△					△				
△					△				

THE DIRECTION OF PULLING OUT



NO.	MATERIAL	FINISH, REMARKS	NO.	MATERIAL	FINISH, REMARKS
3	-	(CONNECTOR)			
2	PE	(COVER TAPE)			
1	PS	(EMBOSSED CARRIER TAPE)			

NO.	MATERIAL	FINISH, REMARKS	NO.	MATERIAL	FINISH, REMARKS

CODE NO. (OLD)	DRAWN	DESIGNED	CHECKED	APPROVED	RELEASED
	T. NODA '07.07.26	T. NODA '07.07.26	E. Nakatani '07.07.26	H. Okawa '07.07.26	

DRAWING NO.	PART NO.
EDC3-156704	FX15SC-51S-0.5SH

SCALE	UNITS	CODE NO.
2 : 1	mm	CL575-2311-5

