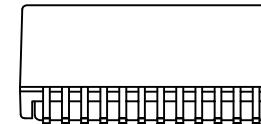


NOTES:

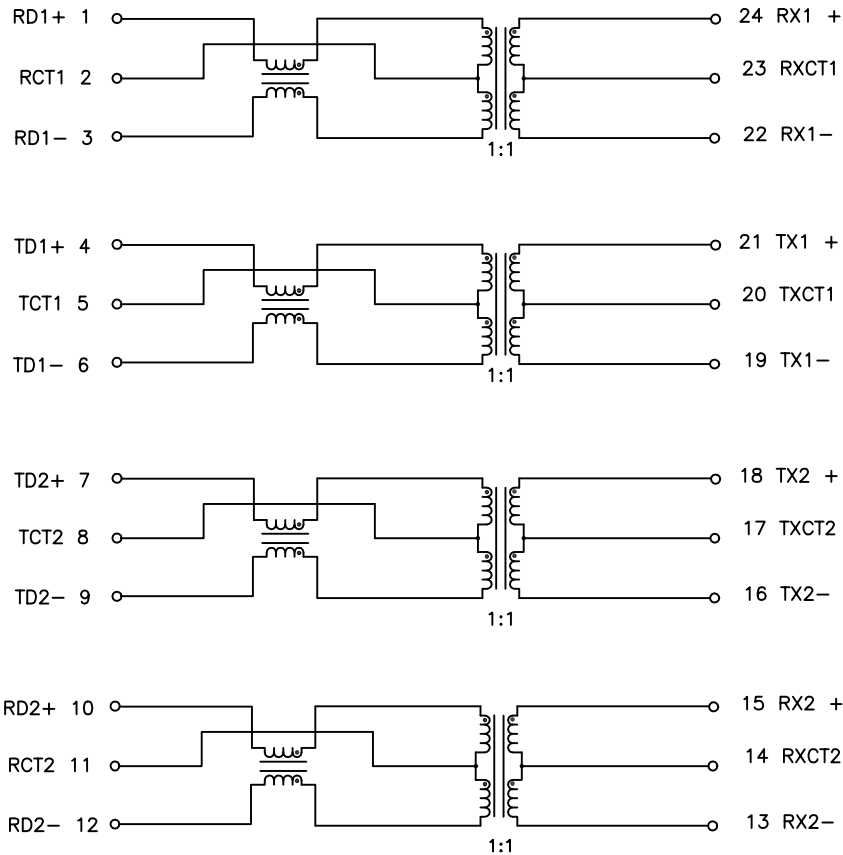
1. ROHS COMPLIANT
2. HEADER: THERMOSET PLASTIC MATERIAL WITH FLAMMABILITY RATING UL 94V-0 OR BETTER.
3. STORAGE TEMPERATURE: -20°C TO +125°C
4. COMPLIANCE TO J-STD:
  - A. J-STD-002: SOLDERABILITY AT 245°C REFLOW PROFILE
  - B. J-STD-020: LEVEL 1, NO MOISTURE SENSITIVE
  - C. J-STD-075: R7, 245°C MAXIMUM THROUGH REFLOW SOLDER
5. TO ORDER TAPE & REEL PACKAGING ADD A "T" SUFFIX TO THE PART NUMBER(i.e H2305NL BECOMES H2305NLT).



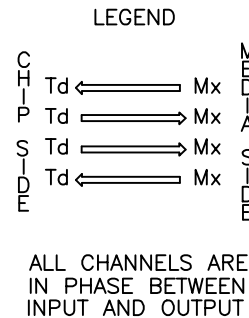
FINAL OUTLINE

© Copyright, 2015. Pulse Electronics Corp. All rights reserved. Pulse confidential & proprietary. (07/31/15)

| PRODUCT DESCRIPTION     | TLA DRAWING | PS DRAWING    | SHEET  | PART NO. | DATASHEET REV. |
|-------------------------|-------------|---------------|--------|----------|----------------|
| MDL,DUAL,100P,1:1,SM,OH | H2305NL-12  | PS-0118.001-D | 1 OF 3 | H2305NL  | A              |



SCHEMATIC



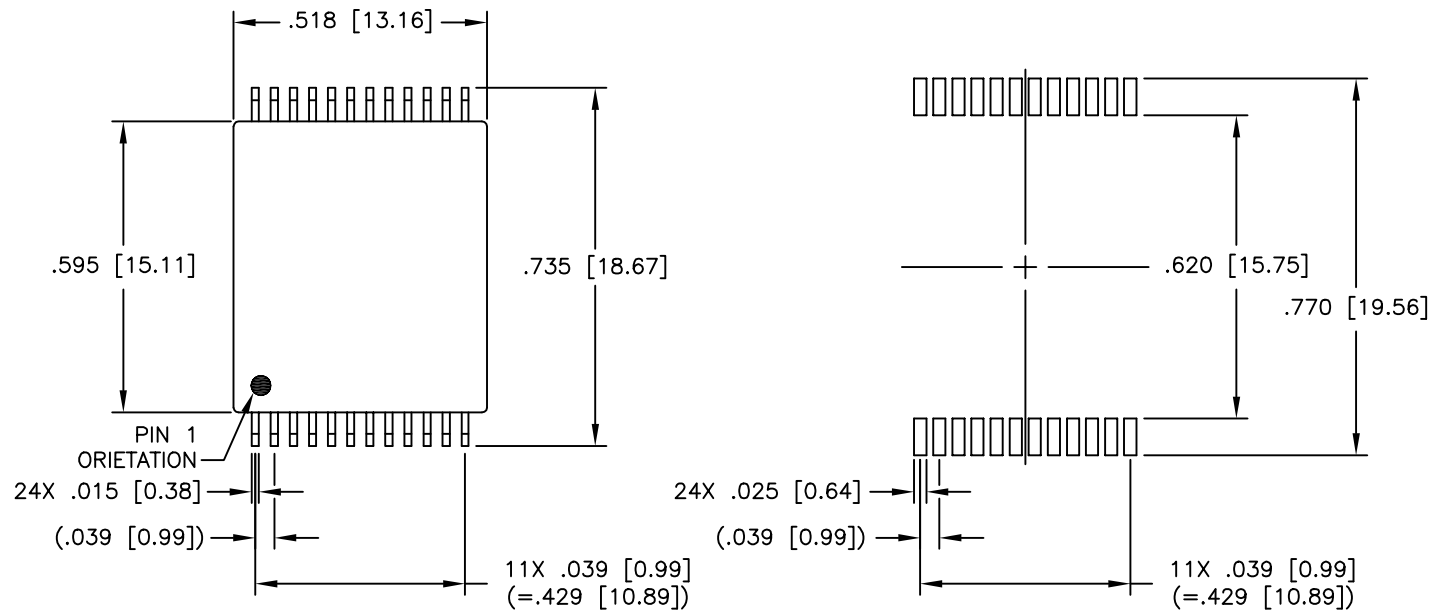
ELECTRICAL CHARACTERISTICS AT +25°C UNLESS OTHER SPECIFIED  
MEETS IEEE 802.3 SPECIFICATION

| PARAMETER                                  | SPECIFICATIONS   |  |
|--|--|--|
| OPERATING TEMP                             | 0°C - 70 °C  |  |
| TURNS RATIO                                | 1 : 1 ±2%  |  |
| POLARITY                                   | PER SCHEMATIC  |  |
| INSERTION LOSS                             | 100 KHz  | 1-125 MHz                                  |
|  | -1.2 dB MAX  | -0.2-0.002*f <sup>1.4</sup> dB MAX         |
| RETURN LOSS<br>(Z OUT = 100 OHM ±15%)      | .1-40 MHz  | 40-100 MHz                                 |
|  | -16 dB MIN   | -10+20*LOG <sub>10</sub> (f/80 MHz) dB MIN |
| INDUCTANCE (OCL)<br>(MEDIA SIDE, 0°C-70°C) | 350 uH MIN (MEASURED AT 100 KHz, 100 mVRMS)<br>(AND WITH 8 mA DC BIAS) |  |
| CROSSTALK, ADJACENT CHANNELS               | 1 MHz  | 10-100 MHz                                 |
|  | -50 dB MIN   | -55+22*LOG <sub>10</sub> (f/10) dB MIN     |
| DIFFERENTIAL TO COMMON MODE REJECTION      | 2 MHz  | 30-200 MHz                                 |
|  | -50 dB MIN   | -43+22*LOG <sub>10</sub> (f/30) dB MIN     |
| DC RESISTANCE, 1/2 WINDING                 | .65 OHMS MAX   |  |
| DC RESISTANCE IMBALANCE                    | ±.065 OHMS MAX (CENTER TAP SYMMETRY)                                   |  |
| INPUT - OUTPUT ISOLATION                   | 1500 VRMS MIN @ 60 SECONDS   |  |

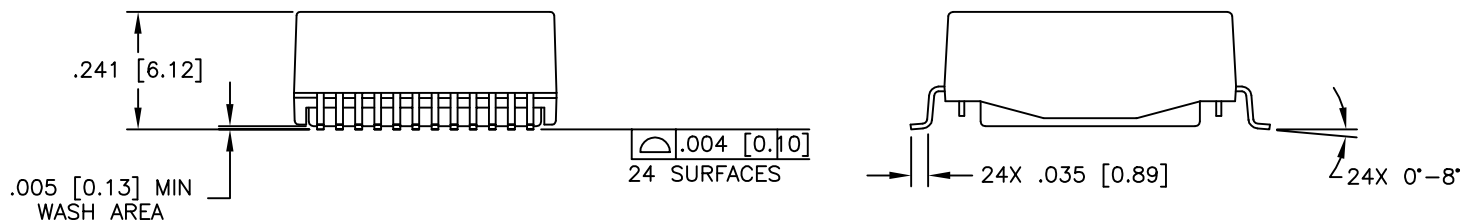
NOTE: f IS FREQUENCY IN MHz.

© Copyright, 2015. Pulse Electronics Corp. All rights reserved. Pulse confidential & proprietary. (07/31/15)

| PRODUCT DESCRIPTION     | TLA DRAWING | PS DRAWING    | SHEET  | PART NO. | DATASHEET REV. |
|-------------------------|-------------|---------------|--------|----------|----------------|
| MDL,DUAL,100P,1:1,SM,OH | H2305NL-12  | PS-0118.001-D | 2 OF 3 | H2305NL  | A              |



SUGGESTED LAND PATTERN



DIMENSIONS ARE IN INCHES [MILLIMETERS] WITH THE FOLLOWING  
TOLERANCES: [MILLIMETERS] ARE FOR REFERENCE ONLY.  
.XX= ±.02 [±0.5]  
.XXX= ±.010 [±0.25]

© Copyright, 2015. Pulse Electronics Corp. All rights reserved. Pulse confidential & proprietary. (07/31/15)

| PRODUCT DESCRIPTION     | TLA DRAWING | PS DRAWING    | SHEET  | PART NO. | DATASHEET REV. |
|-------------------------|-------------|---------------|--------|----------|----------------|
| MDL,DUAL,100P,1:1,SM,OH | H2305NL-12  | PS-0118.001-D | 3 OF 3 | H2305NL  | A              |