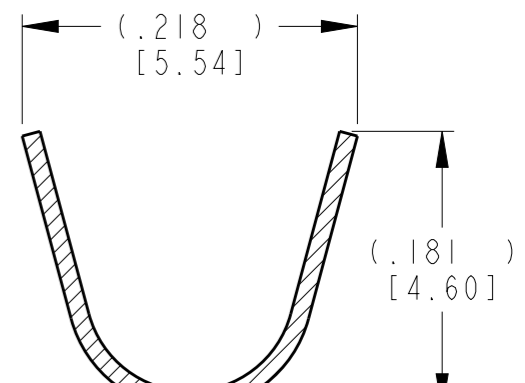
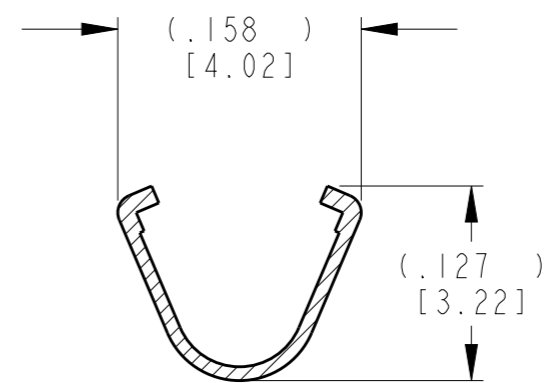
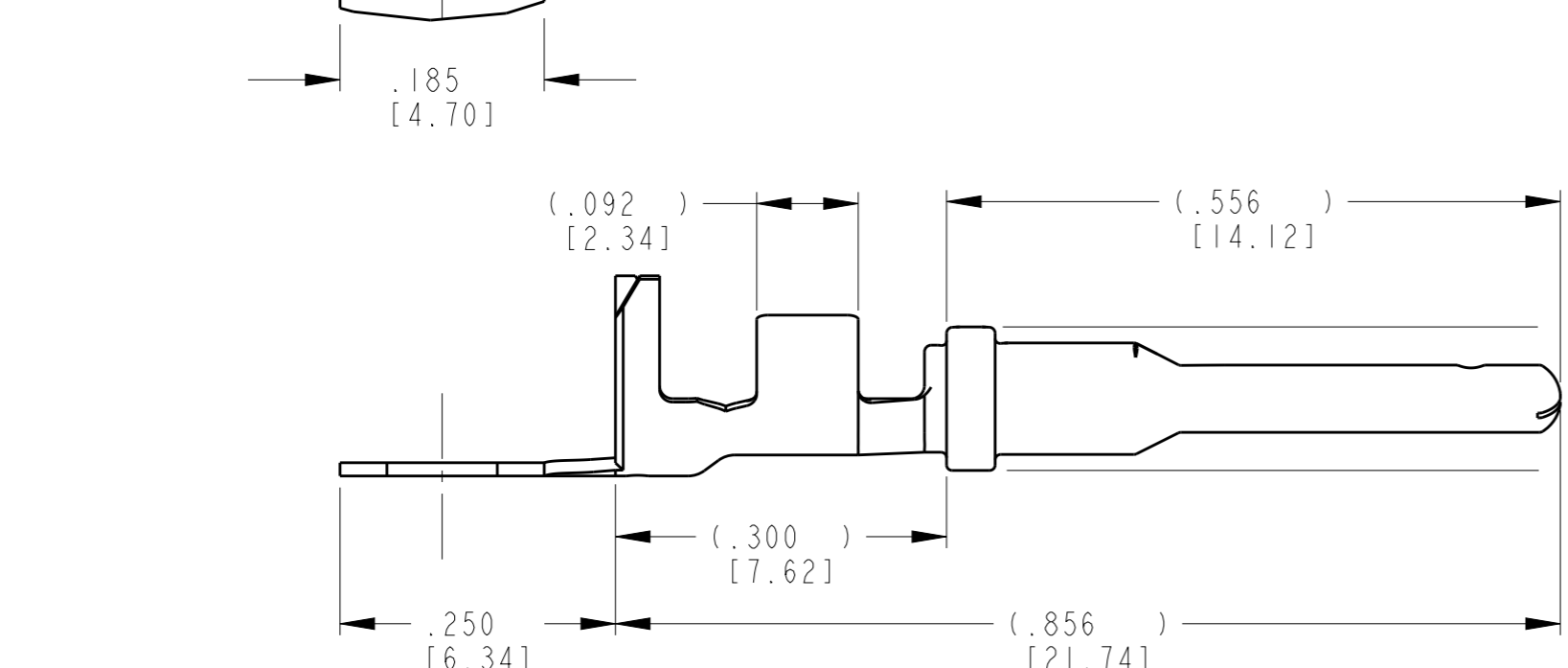
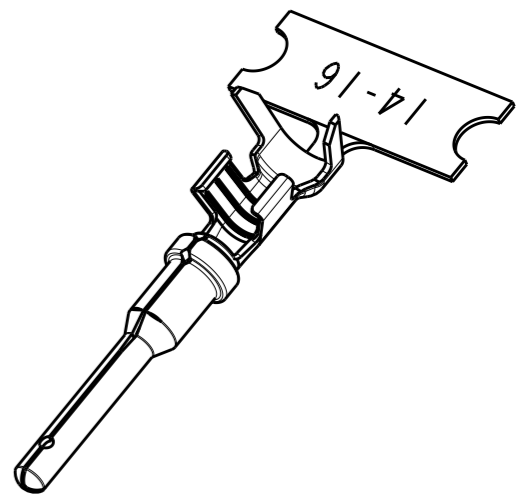
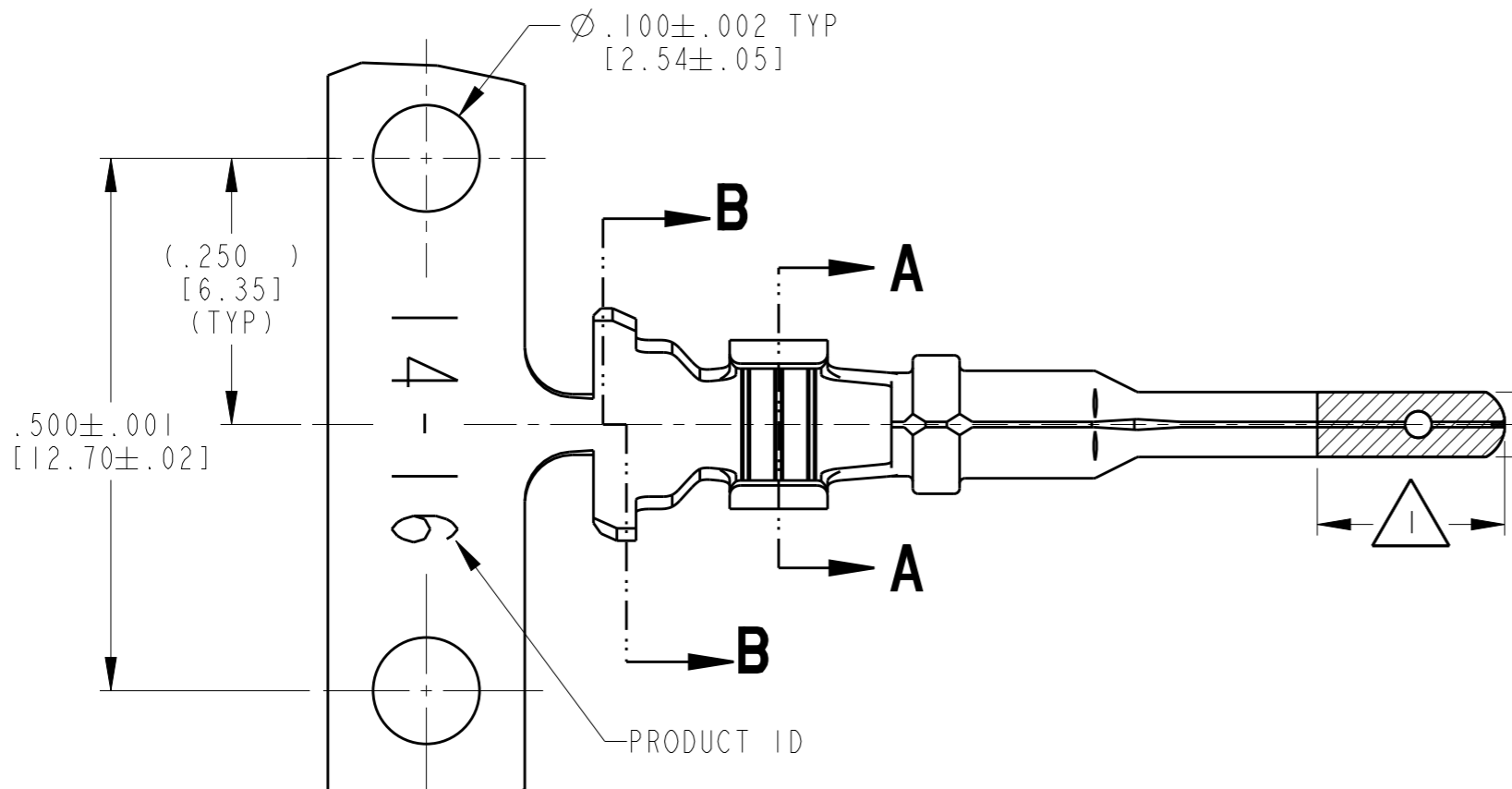


THIS DRAWING IS UNPUBLISHED
 (C) COPYRIGHT 1999 BY TE CONNECTIVITY ALL RIGHTS RESERVED.

LOC	DIST	REVISIONS			
P	LTR	DESCRIPTION	DATE	DWN	APVD
	C	REVISED PER E.O. P17000	08DEC2000	SP	RDR
	D	REVISED PER E.O. P19555	11JUL2007	JA	RDR
	E	REVISED PER E.O. P20396	25JUN2010	JA	RDR
	F	REVISED PER ECO-15-007761	28MAY2015	RL	DM



SECTION A-A
WIRE BARREL

SECTION B-B
INSULATION BARREL

TE INTERNAL PN	DEUTSCH PN	PLATING
1060-14-0122	1060-14-0122	NICKEL
1060-14-0144	1060-14-0144	SELECTIVE GOLD
1060-14-0177	1060-14-0177	TIN

- 3 MATERIAL: .012 [0.30] THICK COPPER ALLOY
- 2. WIRE RANGE: 18 AWG TO 14 AWG [0.75-2.0 mm²]
INSULATION RANGE: $\phi .095$ -.150 [ϕ 2.41-3.81]
- 1 APPLIED ONLY TO SELECTIVE GOLD 1060-14-0144.
INDICATED DIMENSION SHOWS GOLD PLATED AREA.

NOTES: UNLESS OTHERWISE SPECIFIED

THIS DRAWING IS A CONTROLLED DOCUMENT.		DWN 04NOV1999 MICHAEL BLOOM			
DIMENSIONS: INCHES [mm]		CHK 04DEC2000 VLADIMIR TOMSA			
TOLERANCES UNLESS OTHERWISE SPECIFIED:		APVD 08DEC2000 ROBIN REED		NAME STAMPED CONTACT PIN SIZE 16	
0 PLC ± 1 PLC ± 2 PLC ± 3 PLC ±.025 [0.64] 4 PLC ±		PRODUCT SPEC 0425-015-0000		SIZE A3	
MATERIAL 3		FINISH SEE TABLE		CAGE CODE 4AFU8	
		APPLICATION SPEC 114-151000		DRAWING NO 1060-14-01XX	
		WEIGHT 0.34 g		RESTRICTED TO -	
		Customer Drawing		SCALE 6:1	
				SHEET 1 OF 1	
				REV F	