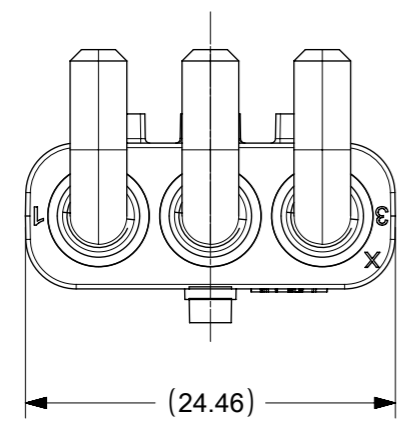


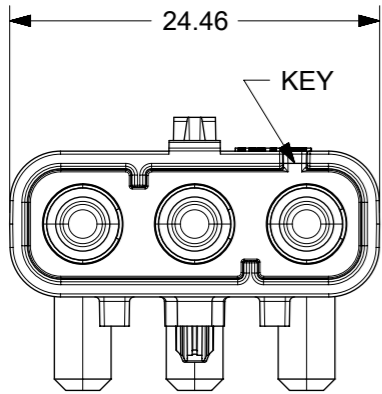
P/N 2018431031
KEY B



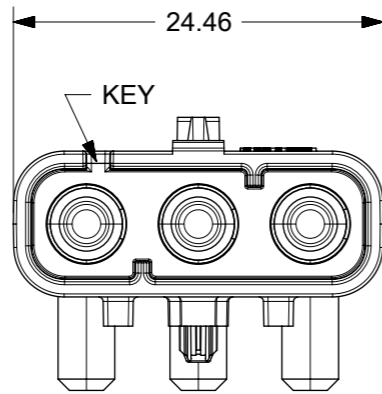
- NOTES:
1. APPLICATION SPECIFICATION SEE: TBE
 2. PRODUCT SPECIFICATION SEE: 2018400000-PS
 3. HOUSING MATERIAL: PEI, UL RATED 94V-0: COLOR: SEE TABLE
 4. MATES WITH RECEPTACLE HOUSING SERIES 201841
 5. TERMINAL MATERIAL : Cu ALLOY
 6. PLATING:
MATING AREA : 0.1µm MIN Au over Ni
TERMINATION AREA: 5µm MIN Sn OVER Ni
 7. SOLDERABILITY PER SMES-152
 8. PACKAGING SPECIFICATION: 2018420000-PK
 9. COSMETIC SPECIFICATION PS-45499-002 (CLASS B)

THIS DRAWING CONTAINS INFORMATION THAT IS PROPRIETARY TO MOLEX ELECTRONIC TECHNOLOGIES, LLC AND SHOULD NOT BE USED WITHOUT WRITTEN PERMISSION											
QUALITY SYMBOLS ▽A = 0 ▽E = 0 ▽F = 0 ▽ = 0 ▽C = 0 ⊗ = 0 ■ = 0 ▽ = 0	REVISED POST QUAL EC NO: 114338 DRWN: NCSR CHK'D: APPR: KPRASAD	2017/03/15 2017/03/16	GENERAL TOLERANCES (UNLESS SPECIFIED) ANGULAR TOL ± °		DIMENSION UNITS	SCALE	 MULTICAT RA HDR ASSY WTB IN-LINE				
			4 PLACES ±	3 PLACES ± 0.05	MM	2:1					
2 PLACES ± 0.1	1 PLACE ± 0.2	DRWN BY	DATE	RMV02 2016/11/22							
0 PLACES ±	DRAFT WHERE APPLICABLE MUST REMAIN WITHIN DIMENSIONS	CHK'D BY	DATE	KPRASAD 2017/02/08							
				DRAWING SIZE	THIRD ANGLE PROJECTION	PRODUCT CUSTOMER DRAWING					
				A3		SERIES	MATERIAL NUMBER	CUSTOMER			
						201843	SEE TABLE	GENERAL MARKET			
						DOCUMENT NUMBER		DOC TYPE	DOC PART	SHEET NUMBER	
						2018430000-SD		PSD	000	1 OF 2	

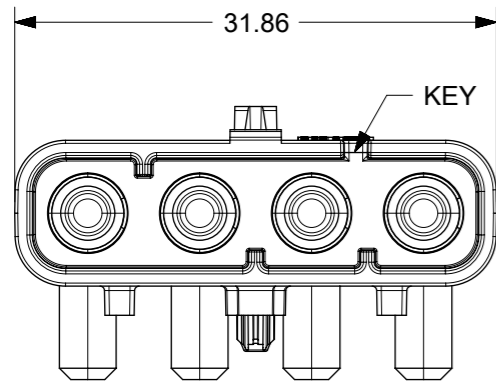
NO.	ASSEMBLY		HOUSING
	PART NUMBER	DESCRIPTION	COLOR
1	2018431030	MULTICAT RA HDR ASSY 1X3 KEY A	BLACK
2	2018431031	MULTICAT RA HDR ASSY 1X3 KEY B	GRAY
3	2018431040	MULTICAT RA HDR ASSY 1X4 KEY A	BLACK
4	2018431041	MULTICAT RA HDR ASSY 1X4 KEY B	GRAY



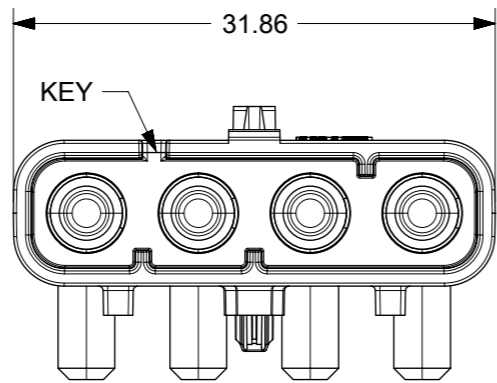
P/N 2018431030
KEY A



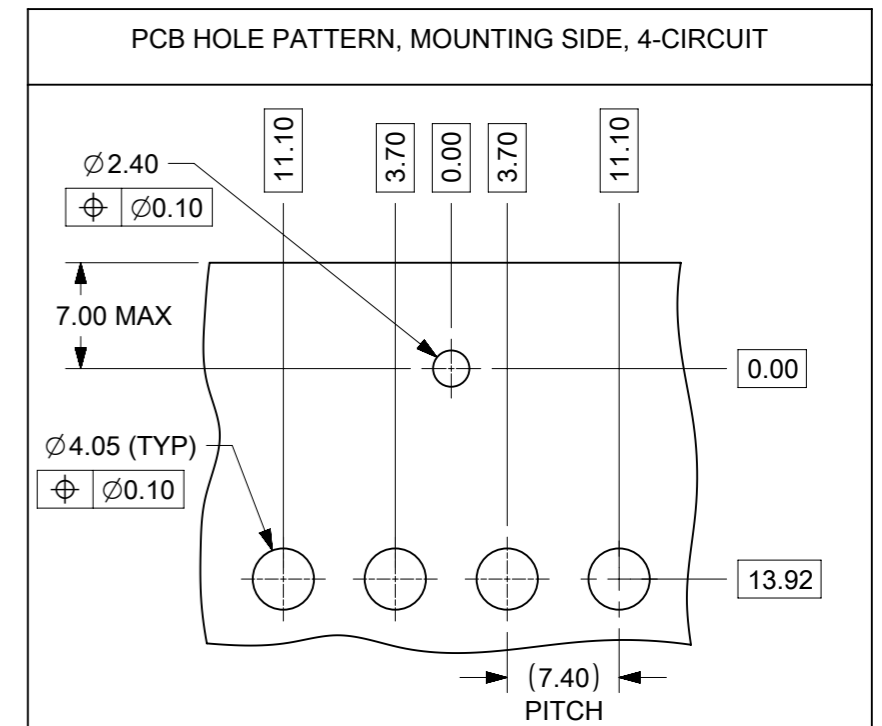
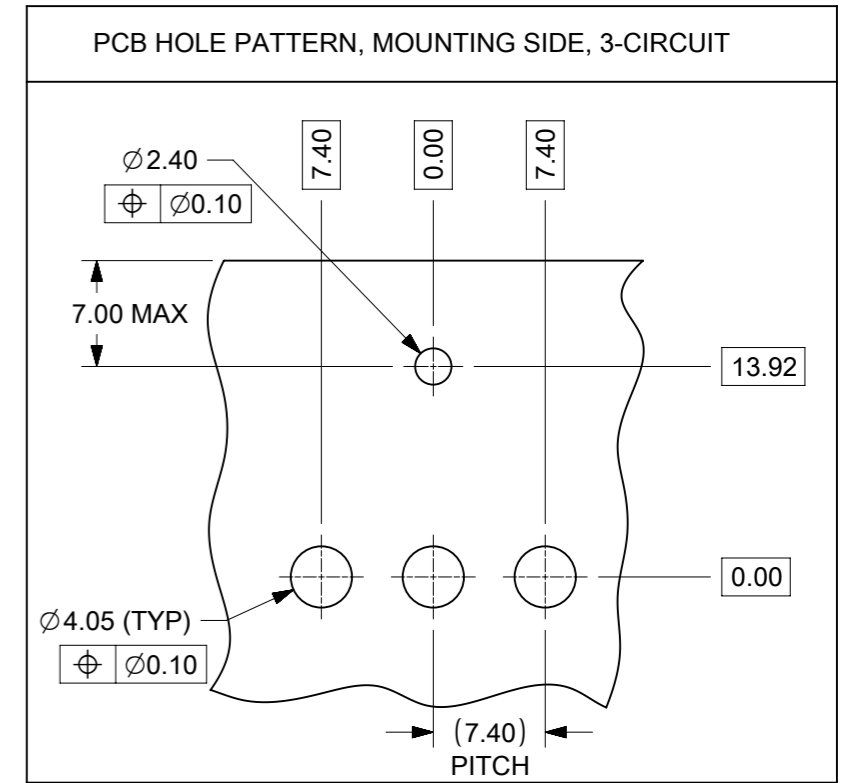
P/N 2018431031
KEY B



P/N 2018431040
KEY A



P/N 2018431041
KEY B



THIS DRAWING CONTAINS INFORMATION THAT IS PROPRIETARY TO MOLEX ELECTRONIC TECHNOLOGIES, LLC AND SHOULD NOT BE USED WITHOUT WRITTEN PERMISSION											
QUALITY SYMBOLS	FA = 0 FE = 0 FB = 0 FV = 0 FC = 0 FX = 0 FS = 0 FT = 0	REVISED POST QUAL EC NO: 114338 DRWN: NCSR CHK'D: APPR: KPRASAD	2017/03/15 2017/03/16	GENERAL TOLERANCES (UNLESS SPECIFIED)		DIMENSION UNITS	SCALE				
				ANGULAR TOL ± °		MM	2:1				
				4 PLACES ±	°	DRWN BY	DATE	MULTICAT RA HDR ASSY WTB IN-LINE			
				3 PLACES ± 0.05		RMV02	2016/11/22				
				2 PLACES ± 0.1		CHK'D BY	DATE	PRODUCT CUSTOMER DRAWING			
				1 PLACE ± 0.2		APPR BY	DATE				
				0 PLACES ±		KPRASAD	2017/02/08	SERIES	MATERIAL NUMBER	CUSTOMER	
				DRAFT WHERE APPLICABLE MUST REMAIN WITHIN DIMENSIONS		DRAWING SIZE	THIRD ANGLE PROJECTION	201843	SEE TABLE	GENERAL MARKET	
						A3		DOCUMENT NUMBER	DOC TYPE	DOC PART	SHEET NUMBER
								2018430000-SD	PSD	000	2 OF 2