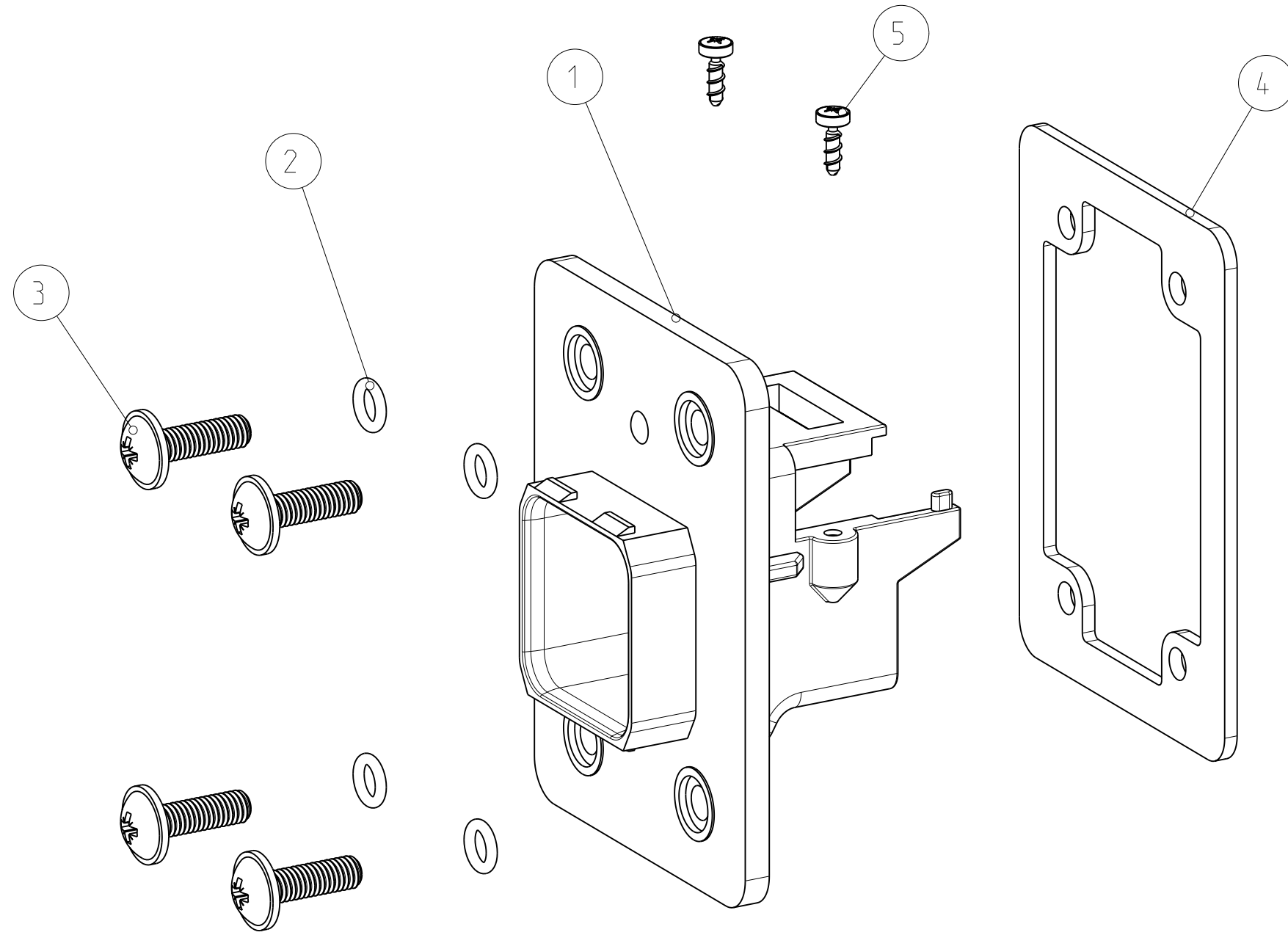


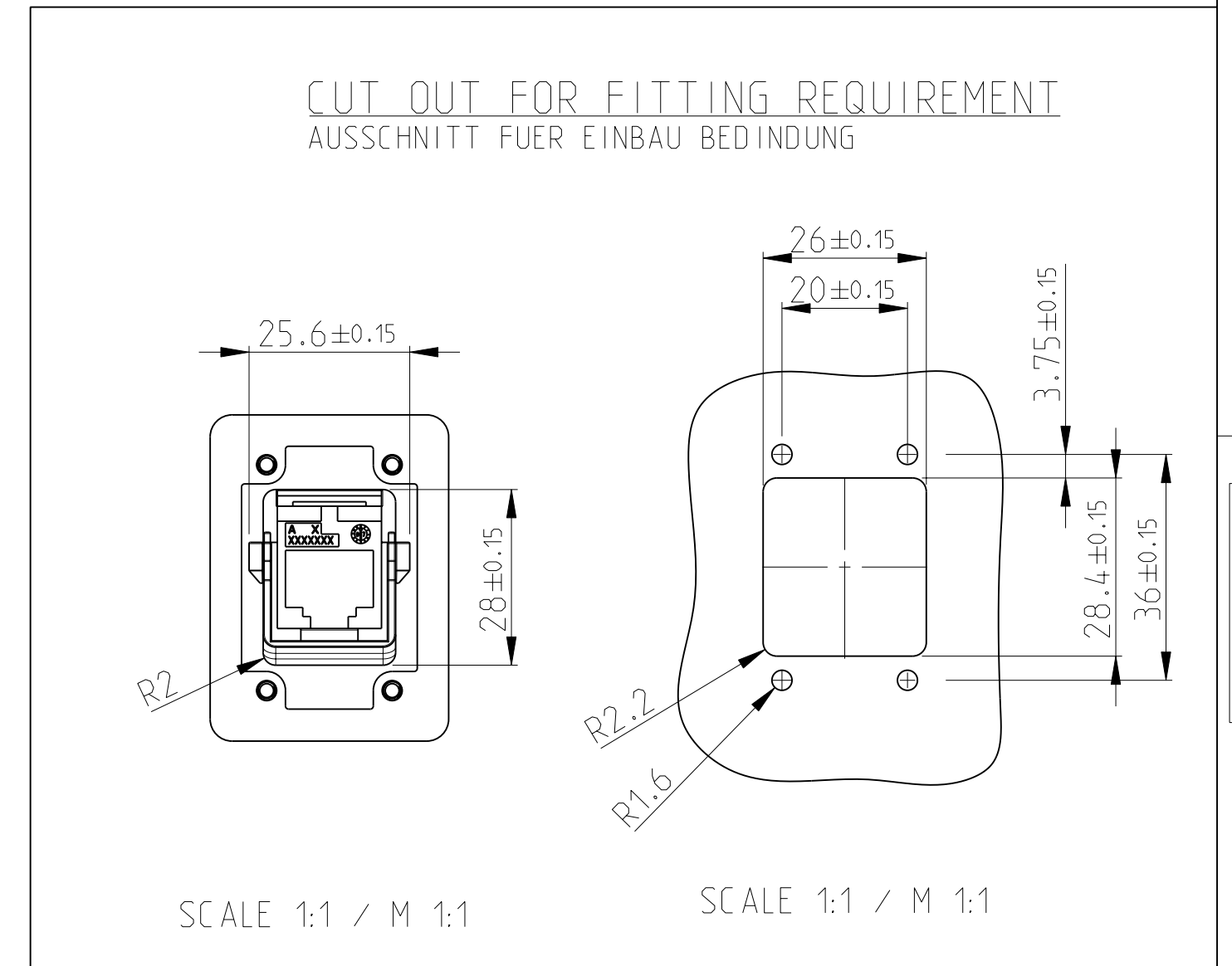
THIS DRAWING IS UNPUBLISHED. RELEASED FOR PUBLICATION 2008
 © COPYRIGHT 2008 BY TYCO ELECTRONICS CORPORATION. ALL RIGHTS RESERVED.

LOC	DIST	REVISIONS			
P	LTR	DESCRIPTION	DATE	DWN	APVD
A1		NEW DRAWING PUBLISHED	04FEB2008	N.T.	R.K.
A2		ECR-08-030470	08DEC2008	N.T.	R.K.
A3		ECR-09-012142	28MAY2009	N.T.	T.K.



SINGLE PACKING: PLASTIC BAG (MINI GRIP) WITH MANUAL.
 MULTI PACKING: 50 PIECE ITEM NO. 1 IN CORD TENSIONING BAG+
 200 PIECE ITEM NO. 2 IN PLASTIC BAG (MINI GRIP) +
 200 PIECE ITEM NO. 3 PLASTIC BAG (MINI GRIP) +
 50 PIECE ITEM NO. 4 PLASTIC BAG (MINI GRIP) +
 100 PIECE ITEM NO. 5 PLASTIC BAG (MINI GRIP) +
 PACKED IN CORRUGATED SHIPPING BOX WITH MANUAL.

EINZELVERPACKUNG: KUNSTSTOFFBEUTEL (MINI GRIP) MIT ANLEITUNG.
 MEHRFACHVERPACKUNG: 50 STUECK POS. 1 IN KORDELZUG BEUTEL +
 200 STUECK POS. 2 IN KUNSTSTOFFBEUTEL (MINI GRIP) +
 200 STUECK POS. 3 IN KUNSTSTOFFBEUTEL (MINI GRIP) +
 50 STUECK POS. 4 IN KUNSTSTOFFBEUTEL (MINI GRIP) +
 100 STUECK POS. 5 IN KUNSTSTOFFBEUTEL (MINI GRIP) +
 VERPACKT IN VERSANDKARTON MIT ANLEITUNG.



-	-	1	1	-	MANUAL	6
-	-	100	2	-	TREAD ROLLING SCREW M1.6 x 6	5
-	-	50	1	-	FLAT GASKET FOR IP67 PUSH-PULL FRAME	4
-	-	200	4	-	ROUND HEAD SCREW Mx3	3
-	-	200	4	-	O-RING SEAL FOR IP67 PUSH-PULL FRAME	2
-	-	50	1	-	FRAME, PUSH-PULL, IP67	1
-	-	-2	-1	DWG. SIZE	PARTNUMBER	DESCRIPTION
-	-	-	-	←	REVISION OF EACH ASSY NO. (WHEN BLANK, USE DWG. REVISION)	
QTY REQD PER ASSY				PARTS LIST		

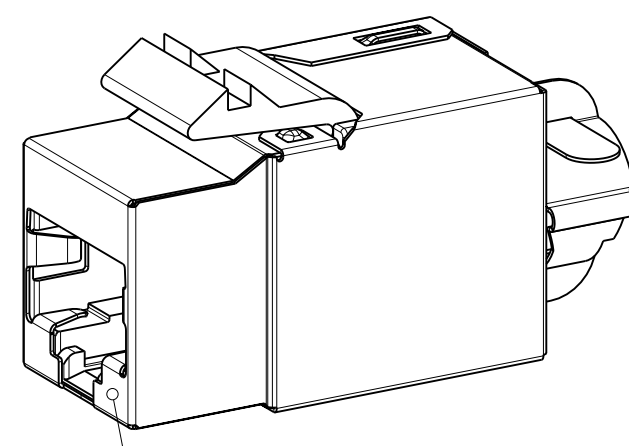
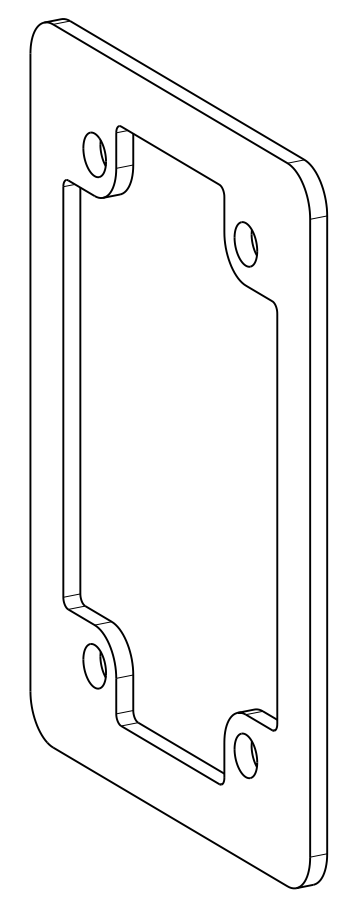
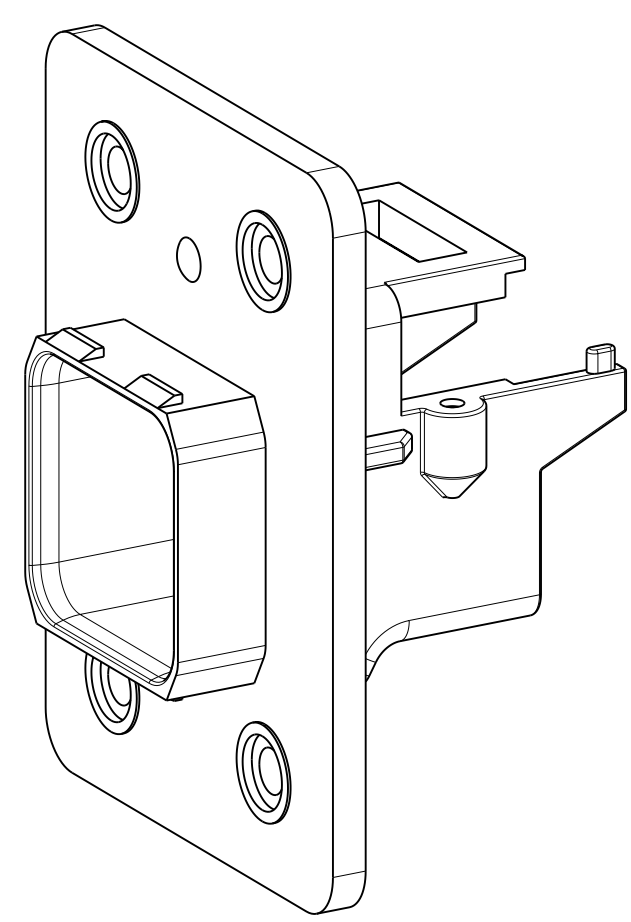
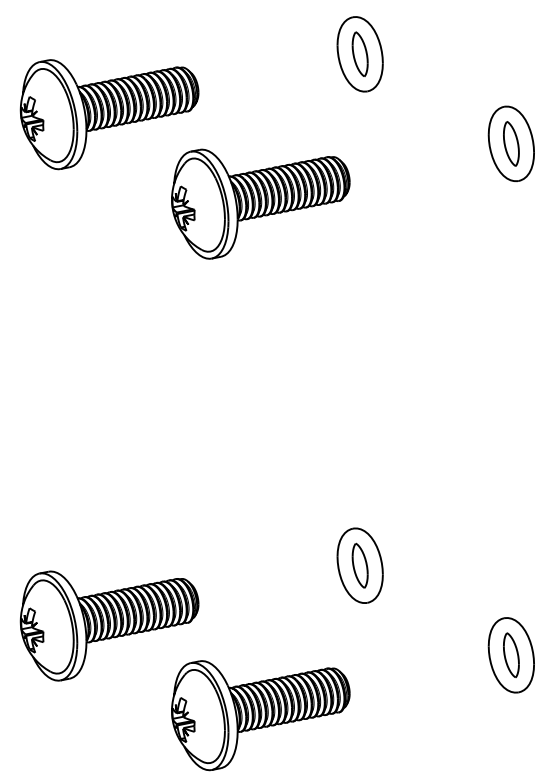
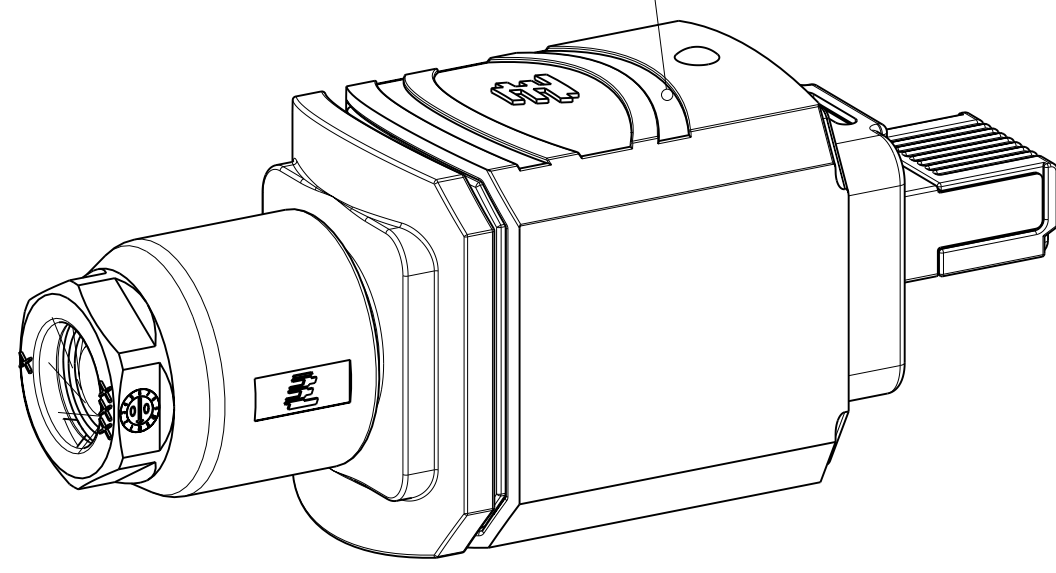
DIMENSIONS:		TOLERANCES UNLESS OTHERWISE SPECIFIED:		DWN		Tyco Electronics	
mm		0 PLC	±-	N.Thirunavukkarasu	08NOV2007	Tyco Electronics AMP GmbH 64625 Bensheim (Germany)	
		1 PLC	±-	W.Boeck	08NOV2007	NAME	
		2 PLC	±-	R.Kraemer	08NOV2007	ASSY, IP65/67 PUSH-PULL FRAME	
		3 PLC	±-			ASSY, IP65/67 PUSH-PULL RAHMEN	
		4 PLC	±-			SIZE	CAGE CODE
		ANGLES	±1°			108-94207	00779
		FINISH				APVD	DRAWING NO
						R	1987307
MATERIAL						APVD	RESTRICTED TO
						R	-
						PRODUCT SPEC	
						APPLICATION SPEC	
						WEIGHT	
						CUSTOMER DRAWING	
						SCALE	SHEET
						5:1	1 OF 2
							REV
							A3

THIS DRAWING IS UNPUBLISHED. RELEASED FOR PUBLICATION 2008
 © COPYRIGHT 2008 BY TYCO ELECTRONICS CORPORATION. ALL RIGHTS RESERVED.

APPLICABLE VERSION ANWENDBARE VERSION

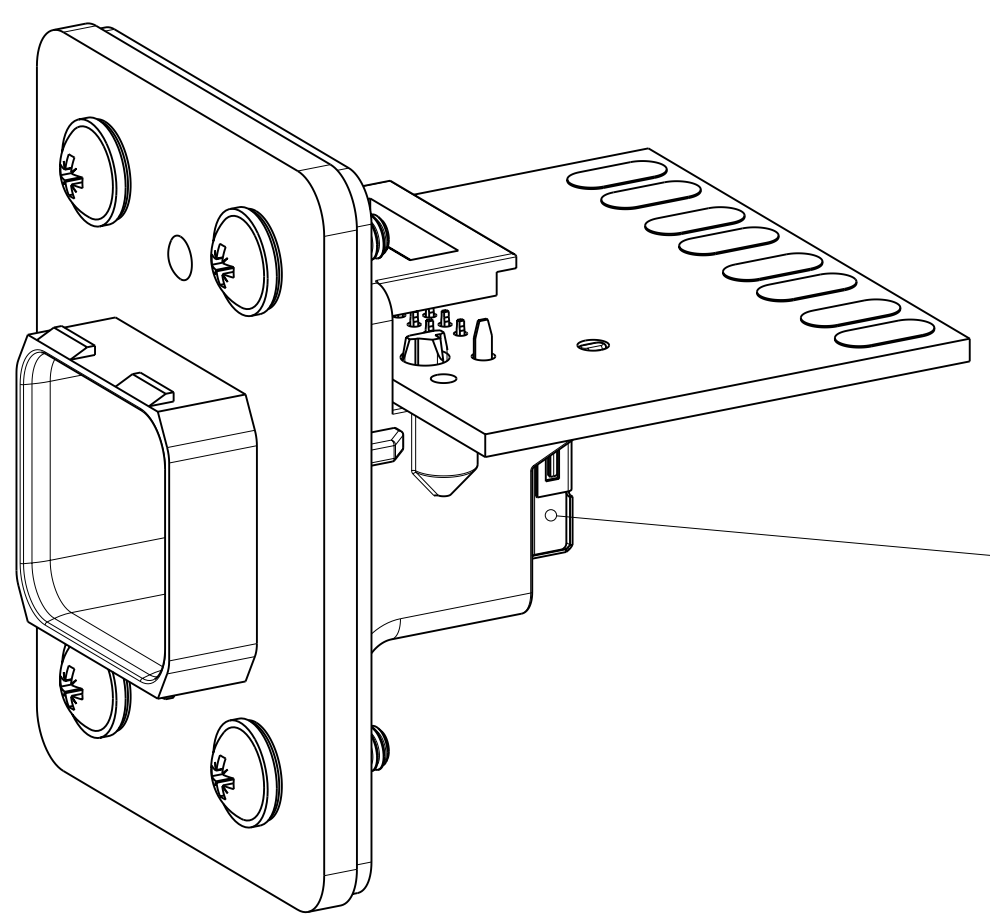
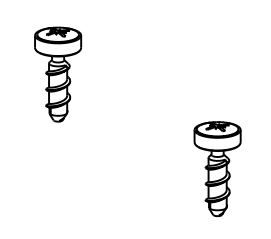
LOC		DIST		REVISIONS			
P	LTR	DATE	DWN	APVD			
-	-	SEE SHEET 1	-	-	-	-	

RJ45 PLUG, PUSH-PULL, ASSY
 RJ45 STECKER, PUSH-PULL, ASSY
 CAT5, SHIELDED
 PN: 1987004-1/-2

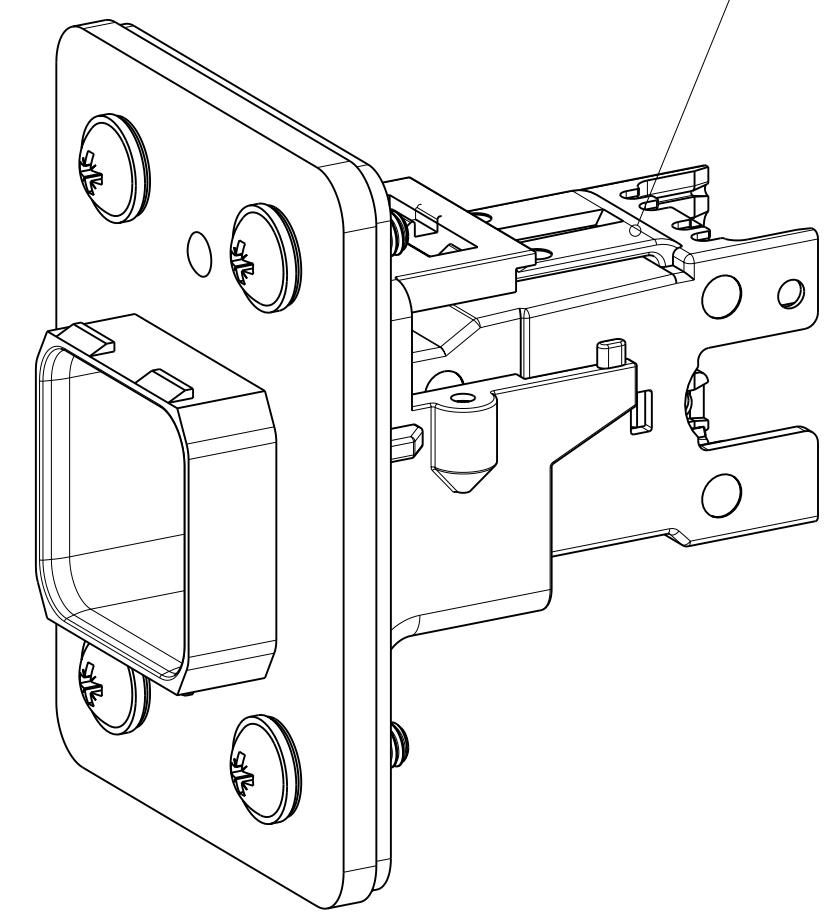


ASSEMBLY, SL 110 JACK, SHIELD, CATEGORY 5e
 PN: 1375189-1

AMP-TW IST-6S SL JACK
 PN1711342-1



INVERTED MOD JACK ASSY SHIELDED
 PN: 406541-1



<small>THIS DRAWING IS A CONTROLLED DOCUMENT FOR TYCO ELECTRONICS CORPORATION IT IS SUBJECT TO CHANGE AND THE CONTROLLING ENGINEERING ORGANIZATION SHOULD BE CONTACTED FOR THE LATEST REVISION.</small>		DWN 08NOV2007 N.Thirunavukkarasu CHK 08NOV2007 W.BOECK APVD 08NOV2007 R.KRAEMER PRODUCT SPEC APPLICATION SPEC WEIGHT - CUSTOMER DRAWING	Tyco Electronics Tyco Electronics AMP GmbH 64625 Bensheim (Germany)	NAME ASSY, IP67 PUSH-PULL FRAME ASSY, IP67 PUSH-PULL RAHMEN	SIZE A2 CAGE CODE 00779 DRAWING NO. 1987307 RESTRICTED TO -
DIMENSIONS: mm 	TOLERANCES UNLESS OTHERWISE SPECIFIED: 0 PLC ±- 1 PLC ±- 2 PLC ±- 3 PLC ±- 4 PLC ±- ANGLES ±1° FINISH	SCALE 2:1 SHEET 2 OF 2 REV A2			