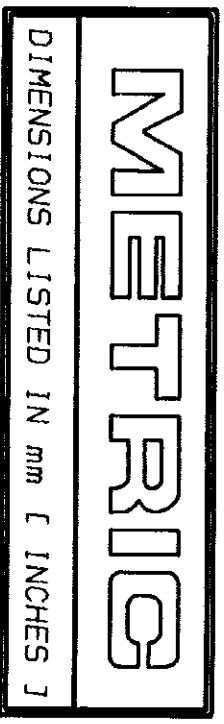
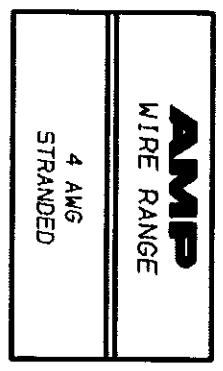
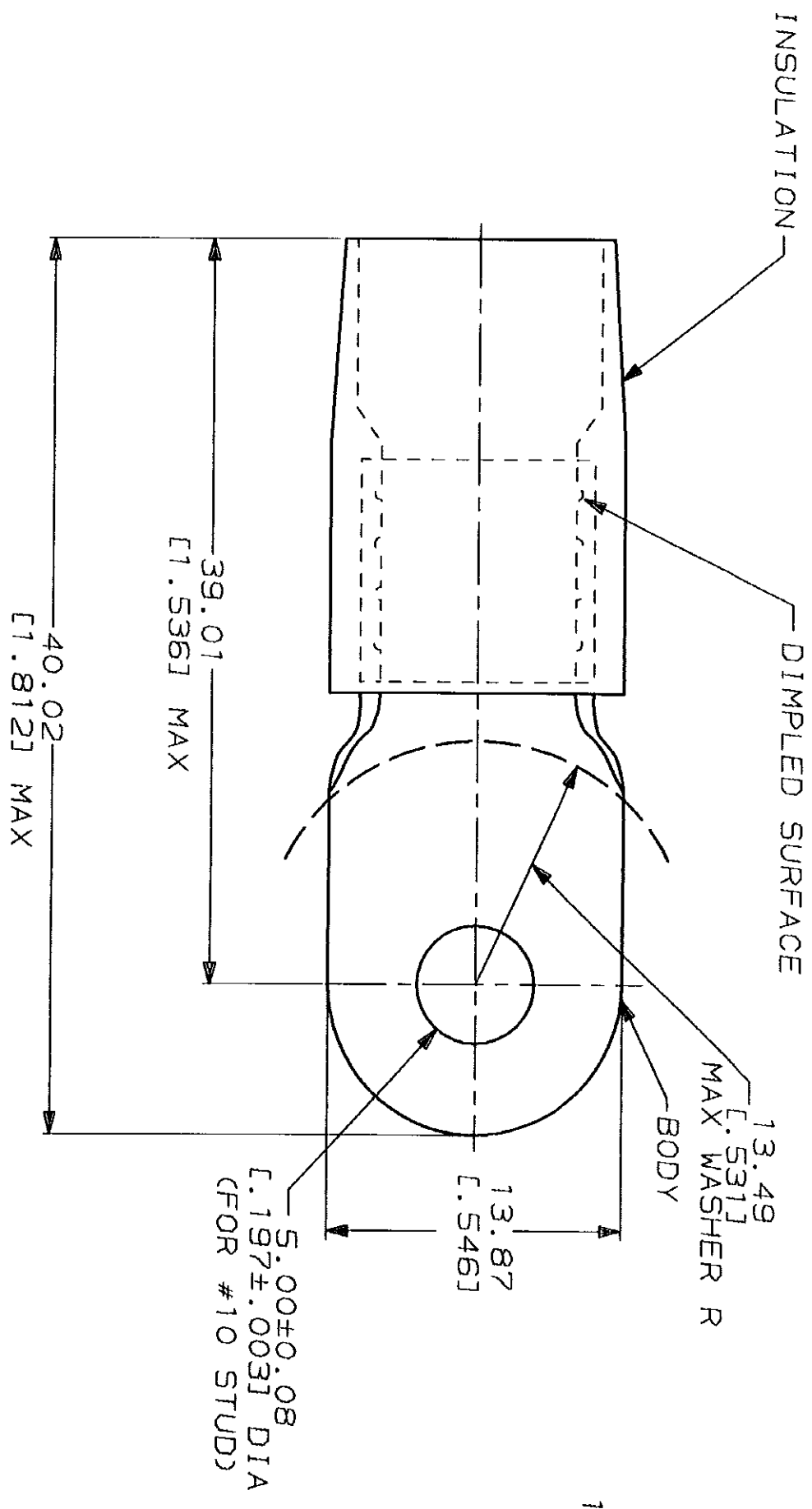


THIS DRAWING IS UNPUBLISHED. RELEASED FOR PUBLICATION BY AMP INCORPORATED. ALL INTERNATIONAL RIGHTS RESERVED. 19

LOC	DIST	P	F	ZONE	LTR	DESCRIPTION	DATE	APPD
G	14					EC 0720-0279-93	6-21-93	SS <sup>6</sup> BB



1. TONGUE MATERIAL THK 1.22±0.08[.048±.003] FOR 9.70[.382] MAX WIRE INS DIA



**AMP INCORPORATED  
CUSTOMER SERVICE SYSTEMS**

FOR ADDITIONAL PRODUCT INFORMATION OR COPIES OF DRAWINGS AND TECHNICAL DOCUMENTS  
 1-800-522-6752  
 PRODUCT INFORMATION CENTER

FOR APPLICATION TOOLING ASSISTANCE CENTER  
 1-800-722-1111

FOR ORDER ENTRY  
 1-800-526-5142

MAX RECOMMENDED OPERATING TEMPERATURE:  
105°C

VOLTAGE RATING:  
-

CIRCULAR MIL AREA:  
16.9-26.7mm² [33, 100-52, 600] STRANDED

THIS DRAWING IS A CONTROLLED DOCUMENT FOR AMP INCORPORATED. IT IS SUBJECT TO CHANGE AND THE CONTROLLING ENGINEERING ORGANIZATION SHOULD BE CONTACTED FOR THE LATEST REVISION.

DO NOT SCALE PRINT. UNLESS SPECIFIED OTHERWISE, DIMENSIONS IN MILLIMETERS. TOLERANCES ON:  
 2 PLC DEC ± 0.20[.008]  
 3 PLC DEC ± . . .  
 ANGLES ± . . .

MATERIAL:  
COPPER PER ASTM B-152  
NYLON (MIL-M-20693) TYPE 1  
COLOR: YELLOW

FINISH:  
TIN PLATE PER MIL-T-10727

DR	QTY	PACKAGE TYPE	PART NO
6-21-93 S.S. SULLDEN	-	LOOSE PC	324111

AMP  
AMP Incorporated  
Harrisburg, PA 17105-3608

TERMINAL, RING TONGUE, TERMINYL  
WIRE SIZE: 4 AWG

DR	APPD	SCALE	SHEET
6-21-93 S.S. SULLDEN	6-21-93 M. ELLIS	B	1 OF 1