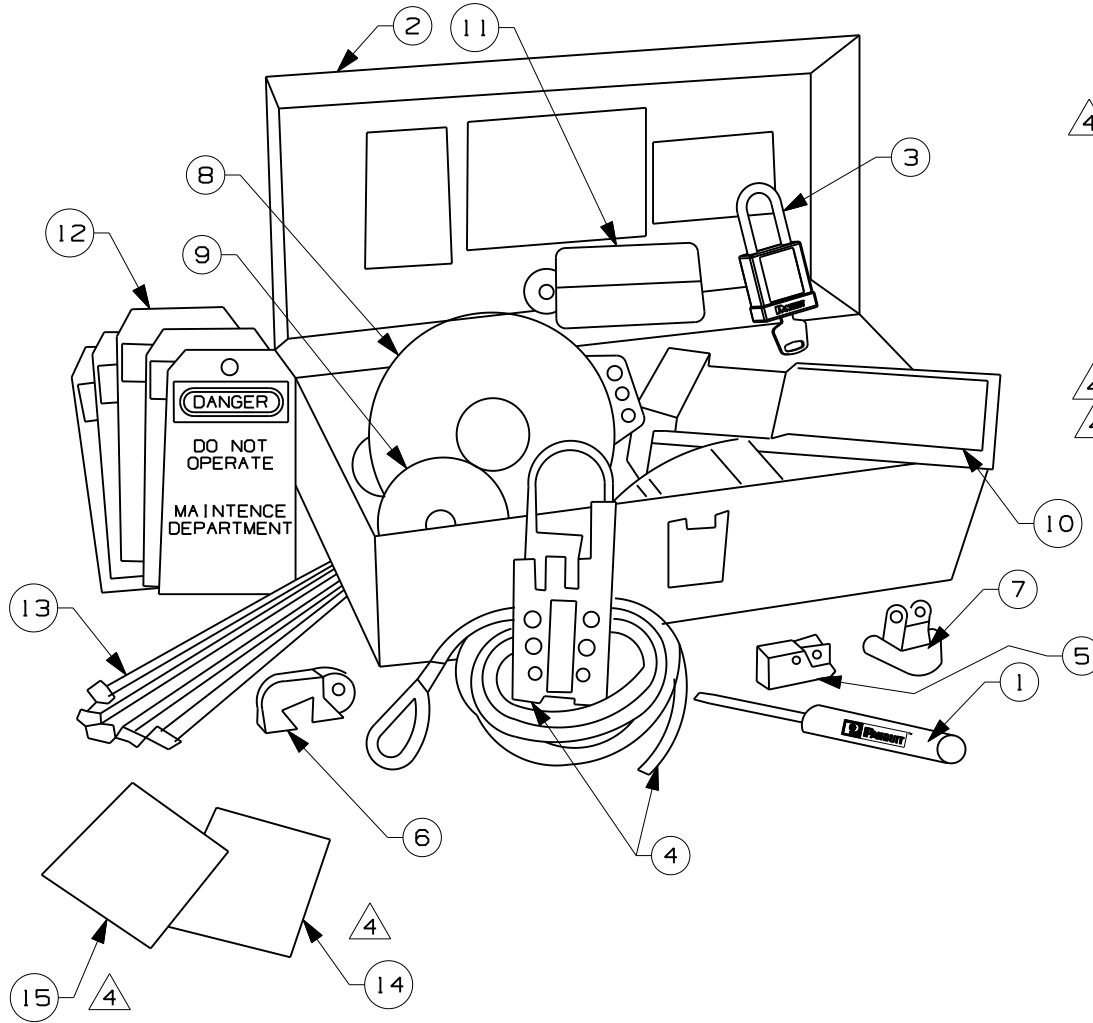
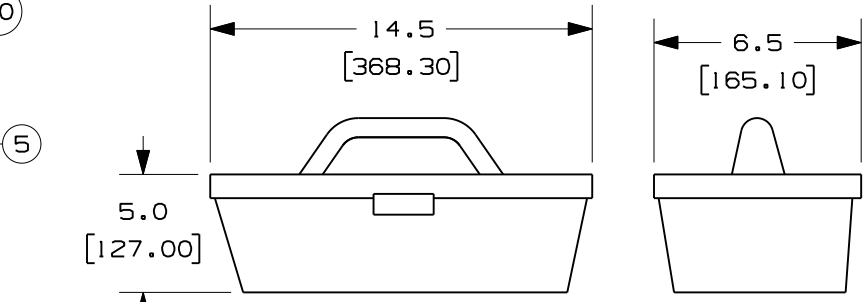


THIS COPY IS PROVIDED ON A RESTRICTED BASIS AND IS NOT TO BE USED IN ANY WAY DETRIMENTAL TO THE INTERESTS OF PANDUIT CORP.



ITEM NO.	QTY. (PCS.)	PART NO.	DESCRIPTION
1	1	GMSDCOM	PANDUIT SCREWDRIVER
2	1	PSL-BX	CARRYING CASE
3	3	PSL-BRD	Plastic Body Podlock, Red
4	1	PSL-MLD	WIP PSL-MLD
5	2	PSL-WS	WALL SWITCH LOCKOUTS
6	2	PSL-CBNT	CIRCUIT BREAKER
7	2	PSL-P	PLUG LOCKOUT DEVICE
8	1	PSL-V6A	GATE VALVE LOCKOUT - 5.0" [127 mm]
9	1	PSL-V2A	GATE VALVE LOCKOUT - 2.5" [64 mm]
10	1	PSL-BV2	BALL VALVE LOCKOUT - 3.0" [76 mm]
11	1	PSL-CL110	PSL-CL110 110V PLUG LOCKOUT
12	10	PVT-44	"DO NOT OPERATE" MAINTENANCE TAGS
13	10	PLT2S	NYLON CABLE TIES
14	1	GMPSL-INMLD	INSTRUCTION SHEET
15	1	GMPSL-INI	INSTRUCTION SHEET



PSL-BX
PLASTIC CARRYING CASE

CAD FILENAME/LAYERS 100619CX-DC-C10387/04E

PANDUIT CORP. TINLEY PARK, ILLINOIS

CUSTOMER DRAWING
PSL-KT-MROA
LOCKOUT KIT

UNLESS OTHERWISE SPECIFIED,
DIMENSIONAL TOLERANCES ARE:
(.X) ± (.XXX) ±
(.XX) ± ANGLES ±

UNLESS OTHERWISE SPECIFIED,
ALL DIMENSIONS ARE GIVEN
IN INCHES, THIRD ANGLE PROJECTION.

REV	DATE	BY	CHK	DESCRIPTION	ECN	R	CUST	SUP
4	11/11/09	RVU		PSL-8 WAS PSL-3RED-LS. ADD LEADERS 15 AND 16 FOR GMPSL-INMLD, AND PSL-INI.	5905	R		
3	02-05-08	RVU		PSL-PLIREDY ADDED.	5279	R		
2	12-10-07	RVU		PSL-3RED-LS WAS PSL-5RED-LS.	5230	R		
1	9-13-06	RVU		MISC. REVISION.	4659	R		
0	10-18-05	RVU		BEFORE BEING RELEASE.	4258	R		

DRAWN BY RVU	MAT'L:	SCALE NTS
DATE 10-18-05		DRAWING NO. C10387
CHK'D		DWG A SIZE