

THIS COPY IS PROVIDED ON A RESTRICTED BASIS AND IS NOT TO BE USED IN ANY WAY DETRIMENTAL TO THE INTERESTS OF PANDUIT CORP.

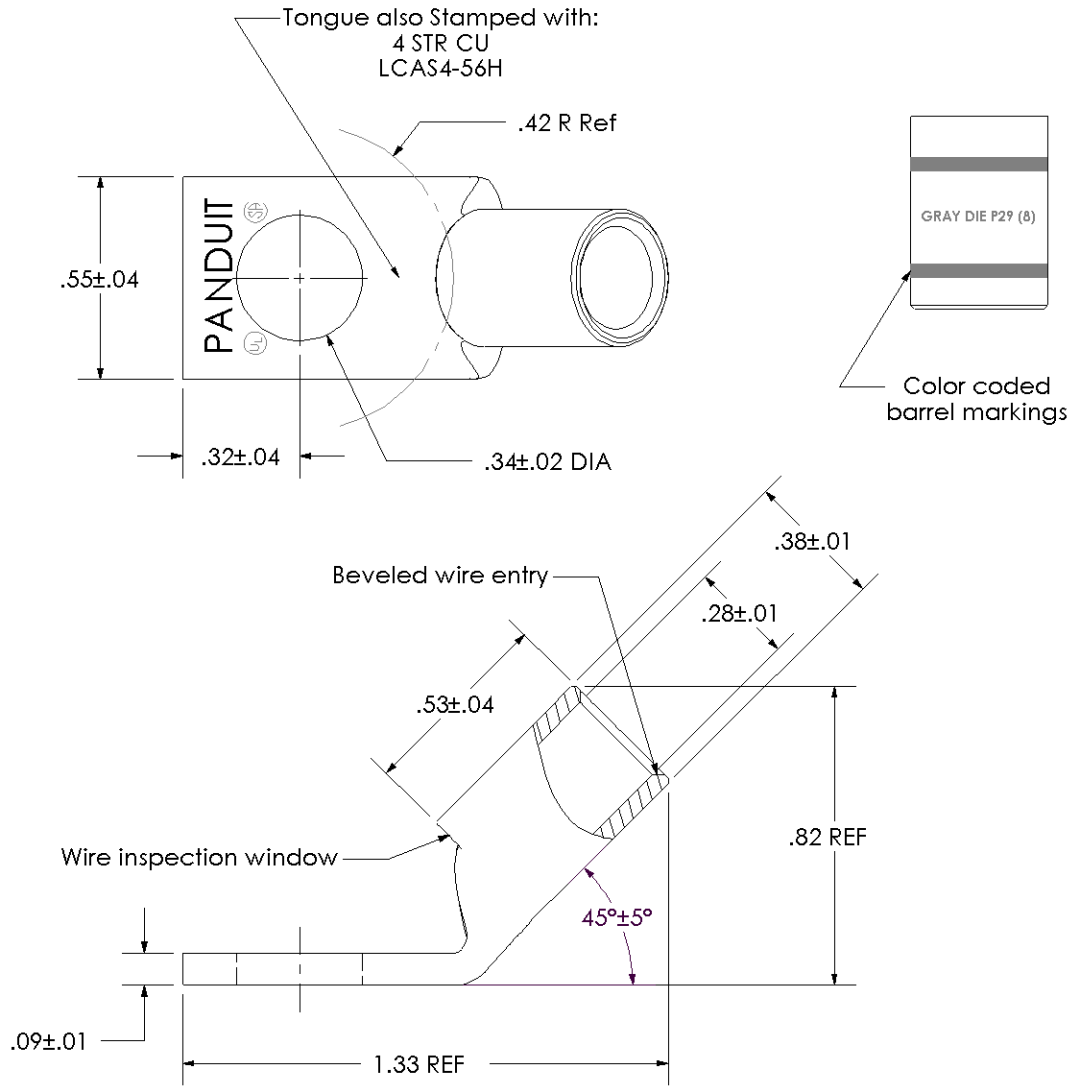
| | |
|--|--|
| Material | High Conductivity Seamless Copper Tube |
| Plating | Electro-Tin |
| Wire Size | 4 AWG |
| Wire Type | Stranded Copper; Class B: Compact, Compressed or Concentric, Class C: Concentric |
| Wire Strip Length | 5/8 in. |
| Stud Size | 5/16 in. |
| UL Listed Wire Connector | Yes, for applications up to 35kv. Consult cable manufacturer for voltage stress relief instructions with applications greater than 2000 volts. |
| UL Temperature Rating | 90° C |
| C.S.A Certified Wire Connector | Yes |
| Panduit Color Code on Barrel | GRAY |
| Panduit Die Index No. on Barrel | P29 |
| Alternate Industry Die Index No. () on Barrel | (8) |



CERTIFIED



LISTED Wire Connector



| REV | DATE | BY | CHK | DESCRIPTION | ECN |
|-----|------|-----|-----|--------------------------------------|-------|
| 01 | 4-03 | PWS | PWS | REMOVED PANDUIT FROM BARREL MARKINGS | 10790 |

PANDUIT CORP. TINLEY PARK, ILLINOIS

LCAS4-56H-L
Copper Lug - One-Hole, Short Barrel, 45° Angle Tongue

SCALE N/A DRAWING NO / CAD FILE LCAS4-56H-CUST