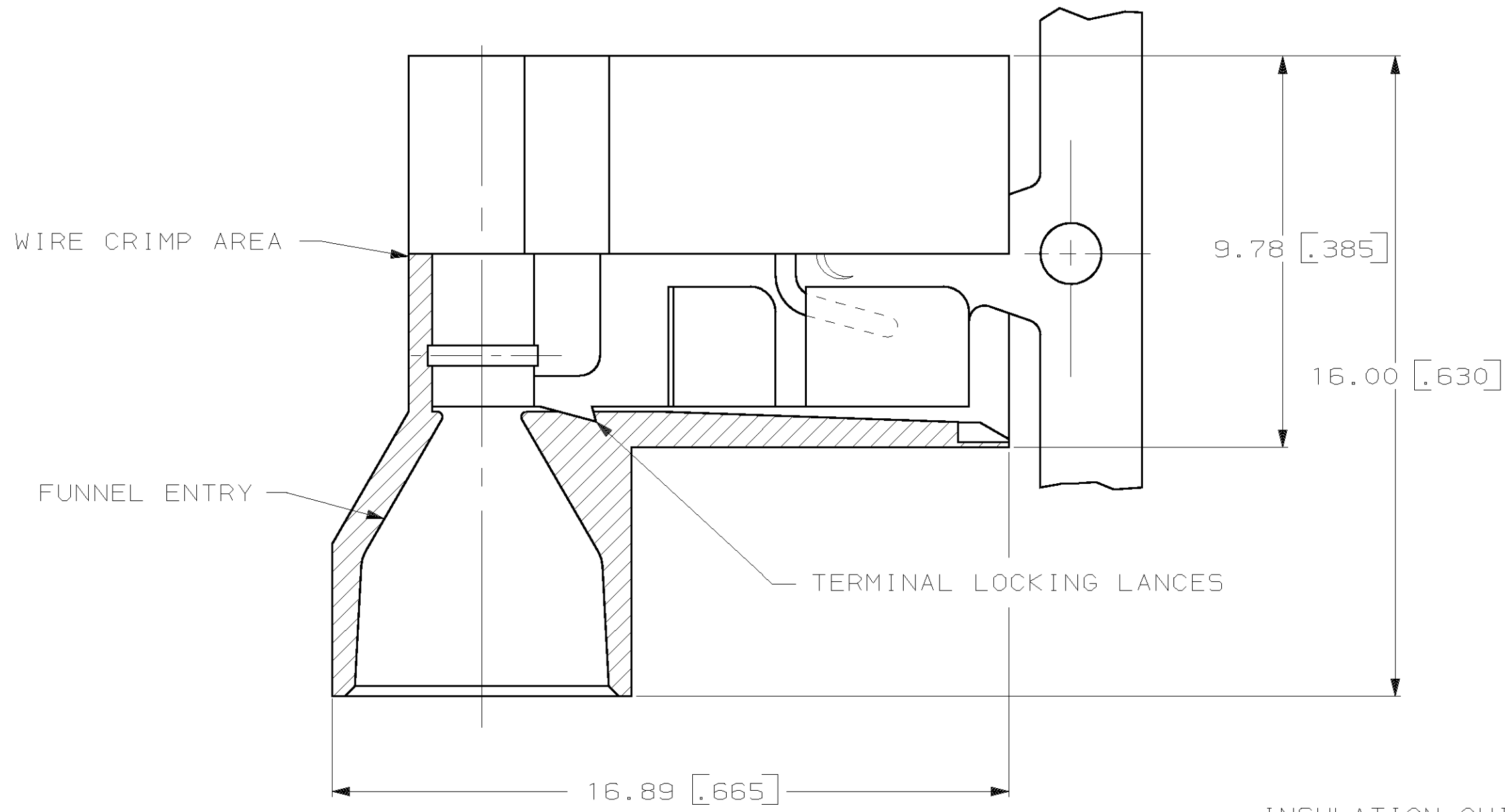
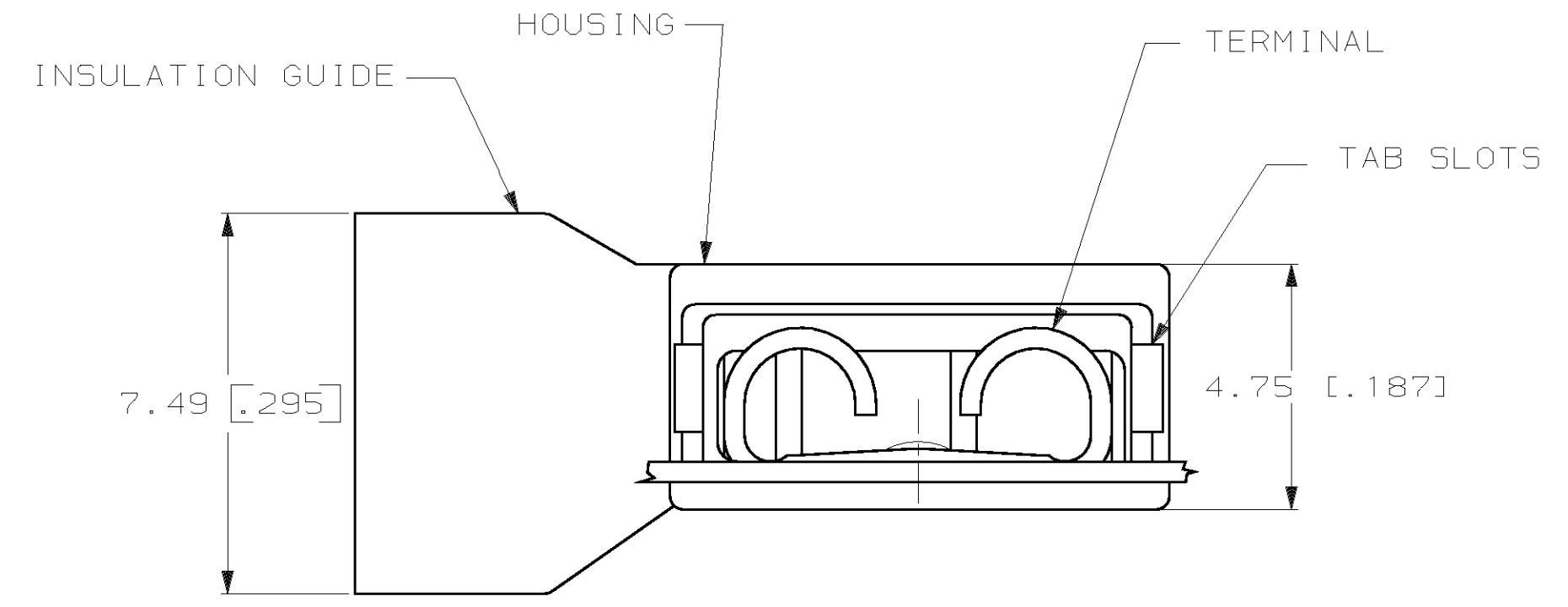
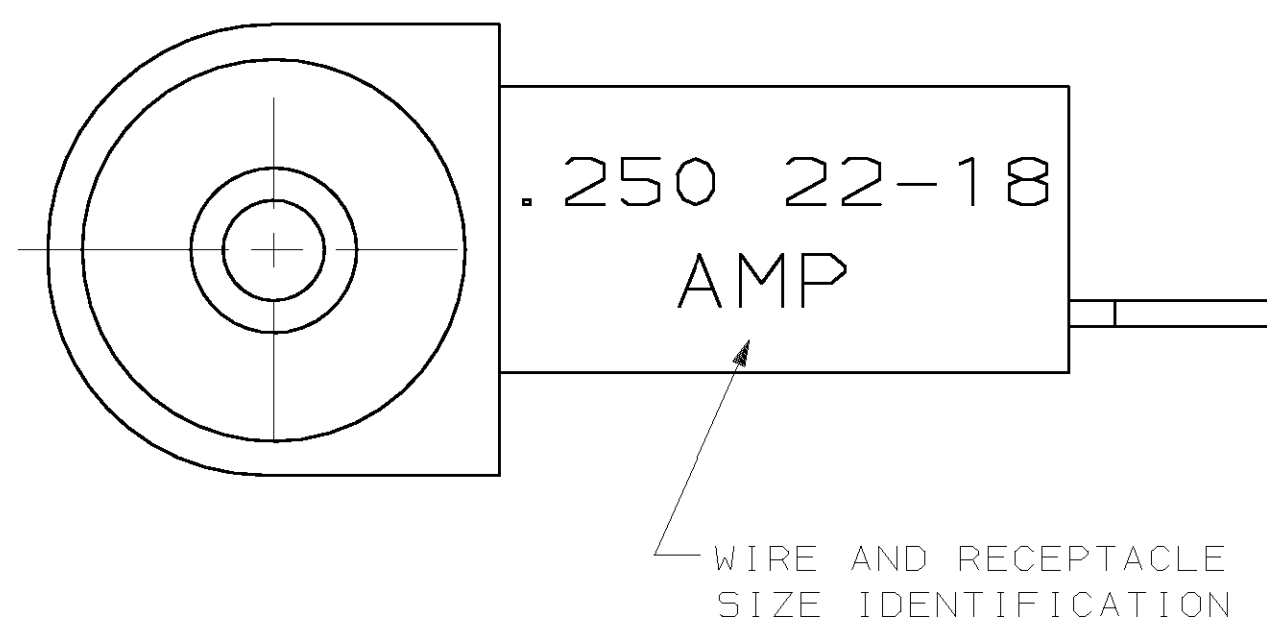


THIS DRAWING IS UNPUBLISHED. RELEASED FOR PUBLICATION
 © COPYRIGHT 19 BY AMP INCORPORATED, HARRISBURG, PA. ALL INTERNATIONAL RIGHTS RESERVED. AMP PRODUCTS MAY BE COVERED BY U.S. AND FOREIGN PATENTS AND/OR PATENTS PENDING.

LOC		DIST		P		F		ZONE		LTR		REVISIONS		
AF	50											DESCRIPTION	DATE	APPROVED
										F		REV PER OG3A-0081-99	9AUG99	JR/JH



- 1 - FITS 0.81 ±0.025 X 6.35 [0.032 ±.001 X .250] TAB
- 2 - WIRE SIZE: 0.3 - 0.9mm² [22-18 AWG] (STRANDED ONLY)
 STRIP LENGTH: ONE WIRE 7.94 [0.312]
 TWO WIRES 8.51 [0.335]
- 3 - INSULATION SIZE: 5.84 [0.230] MAX DIA.
- 4 - DIMENSIONS IN BRACKETS ARE IN INCHES OR AWG.
- 5 - REFER TO PRODUCT SPEC 108-2043 FOR PERFORMANCE DATA.
- 6 - CONTINUOUS STRIP



	RED TRANSLUCENT	6/6 NYLON	TIN	.016 BRASS	2-520856-2
	FINISH HOUSING	MATERIAL	FINISH TERMINAL	MATERIAL	PART NO
UNLESS OTHERWISE SPECIFIED DIMENSIONS ARE IN INCHES mm TOLERANCES ON :	DR 8/25/86 JR RUTH	AMP INCORPORATED Harrisburg, Pa. 17105			
2 PL DEC ± -	CHK 8/25/86 G YETTER				
3 PL DEC ± 0.38 [015]	APPD 9/2/86 K RANDOLPH	NAME .250 SERIES ULTRA-FAST FLAG RECEPTACLE ASS'Y			
ANGLES ± -	APPD 9/2/86 TL SHUTTER				
MATERIAL	PRODUCT SPEC 108-2043	SIZE	F5CM NO	DRAWING NO	
SEE ABOVE	APPLICATION SPEC 114-2123	C	00779	520856	
FINISH	WEIGHT	SCALE	NTS	SHEET 1 OF 1	
SEE ABOVE					

