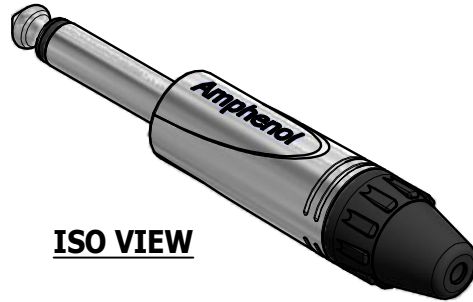
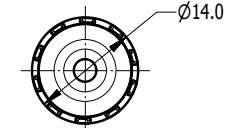
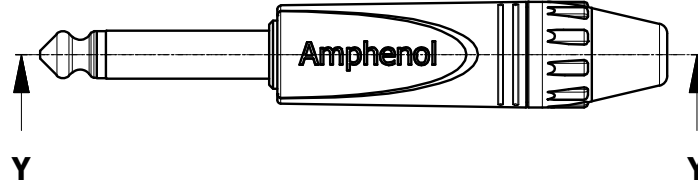
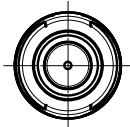
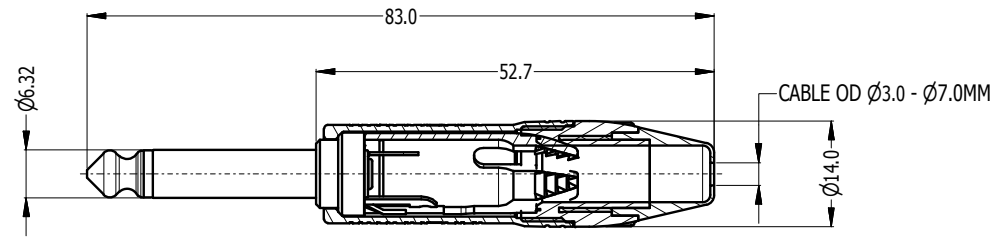




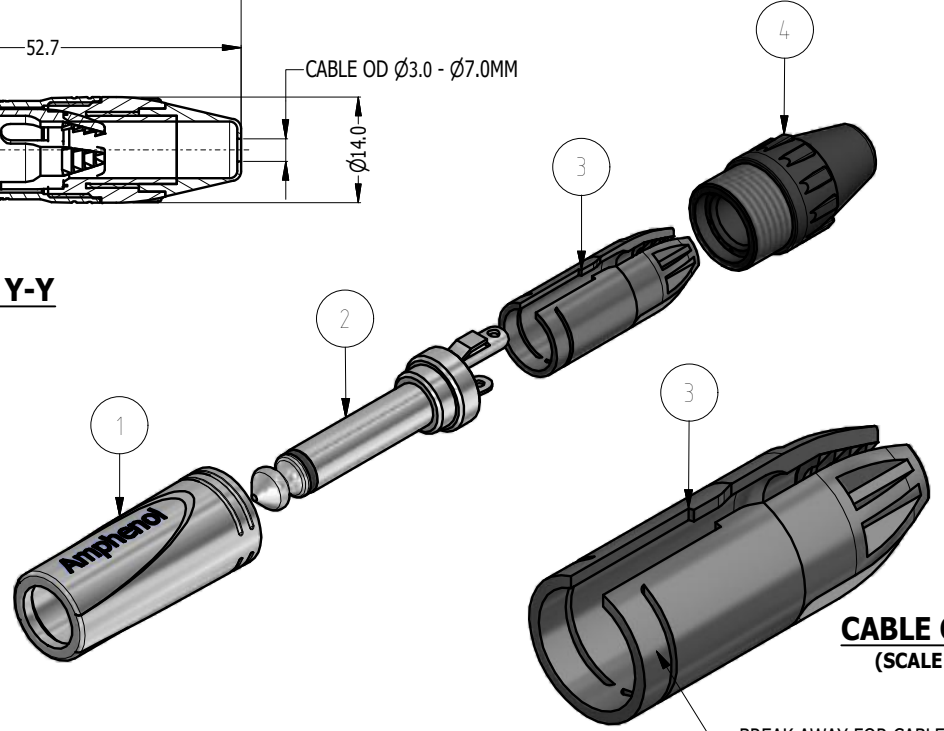
REVISION HISTORY			
REV	DESCRIPTION	DATE	CHG No
1	FIRST ISSUE	30-05-17	----
2	UPDATED CABLE CLAMP	24-01-18	9476



ISO VIEW



SECTION Y-Y



CABLE CLAMP
(SCALE 2 : 1)

BREAK AWAY FOR CABLE
OD RANGE FROM 5-7mm

CATALOGUE PN	SHELL FINISH	CONTACT FINISH	BACKSHELL FINISH
QM2P	NICKEL	NICKEL SLEEVE AND TIP	MATT BLACK
QM2PB-AU	MATT BLACK	GOLD SLEEVE AND TIP	MATT BLACK

ITEM	PART NUMBER	DESCRIPTION	QTY	DO NOT SCALE
4	50440055-300	THERMOPLASTIC BACKSHELL - BLACK	1	
3	50260024-500	THERMOPLASTIC CABLE CLAMP - BLACK	1	
2	50310064-100/300	MONO INSERT ASSEMBLY - GOLD/NICKEL	1	
1	53480189-300/400	DIECAST SHELL - NICKEL/MATT BLACK	1	

UNLESS OTHERWISE SPECIFIED
TOLERANCE TO BE

LINEAR	ANGULAR
X ±0.5	X' ±1
X.X ±0.1	X.X' ±30'
X.XX ±0.05	X.XX" ±15'

BREAK ALL SHARP EDGES
AND REMOVE ALL BURRS

THIS DOCUMENT IS THE PROPERTY OF AMPHENOL AUSTRALIA PTY. LTD.
NO PART THEREOF MAY BE REPRODUCED AND USED
WITHOUT THE PRIOR WRITTEN CONSENT OF THE OWNER

MATERIAL: REFER TO COMPONENT

DRN: MH DATE: 30-05-17
CKD: MH DATE: 24-01-18

APP'D: PM DATE: 24-01-18

FINISH: SEE TABLE

SCALE: 1:1 SIZE: A4

Amphenol Amphenol Australia Pty.Ltd,
22 Industry Blvd, Carrum Downs, VIC 3201

TITLE: **1/4" PHONE MONO PLUG CUSTOMER DRAWING**

PART No: **SEE TABLE**

DRAWING NO. **55011234-000-1** SHEET **2/2**

CAD FILE 55011234000112

Parts List

DIMENSIONS IN MILLIMETRES



THIRD ANGLE PROJECTION