



# SERIES A6X

## STANDARD RJ45 MAGNETIC JACKS



### FEATURES:

- 10/100 or 1000 Base T options – Full IEEE 802.3 compliance
- Integrated Magnetics – Provides signal integrity, DC isolation and protection for PHY chip
- Integrated Design - Reduces component inventory and process costs
- Spring fingers on shells - Guaranteed advanced EMI/RFI suppression
- LED options available - Visual indication of port status and activity information for user
- Tab Up or Down options - Complete design for board and unit compatibility
- FCC Compliance: Part 68 Sub Part F
- RoHS Compliant

### DESCRIPTION:

• Magnetic jacks are integrated connectors that combine network magnetics with RJ 45 modular jack connectors. Magnetic jacks combine connectivity with signal conditioning, electro magnetic interference suppression and signal isolation. These parameters were previously performed by separate and discrete magnetic components mounted on the PCB board.

• Available as single or stacked multiport options they are used in Data, Telecom, Networking and Home Entertainment markets for applications such as Servers, Hubs, Routers, Printers, Computers, Set Top Boxes and Digital TV's.

• MATE WITH MODULAR PLUG CONFORMING TO FCC PART 68, SUBPART F.

### APPLICATIONS:

-Telecommunications:

Networks, Routers, Server Farms, LAN Adapter Cards

-Broadcast

Digital TV, Set Top Boxes, Video Streaming Equipment  
Gaming Consoles, Amplifiers

-Data Products

Computers, Computer Peripherals, Consumer Products

### PERFORMANCE:

- CAT5: 10/100 BASE-T
- CAT5e: 10/100/1000 BASE-T or Gigabit Ethernet
- CAT6a: 10 Gigabit Ethernet

### Example Part Number:

#### SERIES:

A60 – 10/100/1000 BASE T, 8 CORE  
A62 – 10/100 BASE T, 2 CORE  
A63 – 10/100 BASE T, 4 CORE  
A64 – 10/100 BASE T, 5 CORE  
A65 – 10 BASE T, 3 CORE  
A66 – 10 BASE T, 4 CORE  
A67 – 10/100 BASE T, POE  
A68 – 10/100 BASE T WITH USB TYPE A  
A69 – 100/1000 BASE T WITH USB TYPE A  
A70 – 100/1000 BASE T, POE

#### NO. OF PORTS: 1 4

STACK SIZE PORT PER STACK  
11 – 1X1: 1 PORT, 21 – 2X1: 2 PORTS  
12 – 1X2: 2 PORTS, 22 – 2X2: 4 PORTS  
14 – 1X4: 4 PORTS, 24 – 2X4: 8 PORTS  
18 – 1X8: 8 PORTS, 28 – 2X8: 16 PORTS  
1A – 1+2USB: 1 PORT + 2 USB PORTS  
1B – 1+2USB3.0: 1 PORT + 2 USB3.0 PORTS

#### CONTACT PLATING:

2 – GOLD FLASH  
3 – 15 MICROINCHES OF GOLD  
4 – 30 MICROINCHES OF GOLD  
5 – 50 MICROINCHES OF GOLD

#### CONNECTOR TYPE:

2 – RIGHT ANGLE WITH TAB-UP  
3 – RIGHT ANGLE WITH TAB-DOWN  
4 – VERTICAL WITH TAB-UP  
5 – VERTICAL WITH TAB-DOWN  
6 – SMT WITH TAB-UP  
7 – SMT WITH TAB-DOWN  
8 – RIGHT ANGLE WITH TAB-UP AND PANEL STOP  
9 – RIGHT ANGLE WITH TAB-DOWN AND PANEL STOP  
A – VERTICAL WITH TAB-UP AND PANEL STOP

A60-142-200P431

#### ELECTRICAL CIRCUIT TYPE:

(SEE CIRCUIT TYPE PAGE FOR DETAILS)

#### SHIELD TYPE:

0 – NO SHIELD  
1 – SHIELDED, NO EMI FINGER  
2 – SHIELDED, WITH EMI FINGER ON TOP  
3 – SHIELDED, WITH EMI FINGER BOTH SIDES  
4 – SHIELDED, WITH EMI FINGER ON THREE SIDES  
5 – SHIELDED, WITH EMI FINGER ON FOUR SIDES  
6 – SHIELDED, WITH EMI FINGER ON THREE SIDES, LED TAIL STAGGERED  
7 – SHIELDED, WITH EMI FINGER ON THREE SIDES, 3 LEG TAIL LED

#### HOUSING MATERIAL:

P – PBT POLYESTER  
N – NYLON POLYESTER  
L – LCP

#### RIGHT LED COLOR:

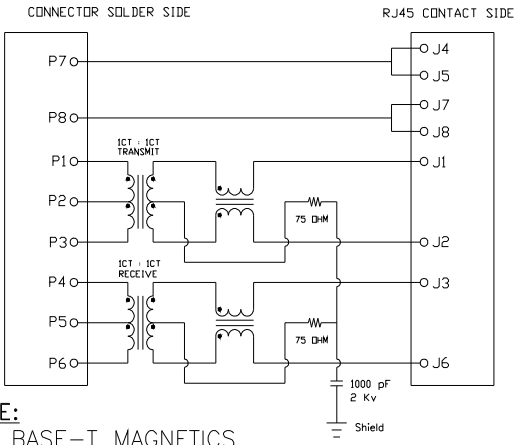
0 – NO LED  
1 – YELLOW  
2 – RED  
3 – GREEN  
4 – ORANGE  
5 – GREEN/YELLOW BI-COLOR  
6 – RED/GREEN BI-COLOR  
7 – GREEN/ORANGE BI-COLOR  
8 – RED/YELLOW BI-COLOR  
9 – ORANGE/YELLOW BI-COLOR  
A –

#### LEFT LED COLOR:

0 – NO LED  
1 – YELLOW  
2 – RED  
3 – GREEN  
4 – ORANGE  
5 – GREEN/YELLOW BI-COLOR  
6 – RED/GREEN BI-COLOR  
7 – GREEN/ORANGE BI-COLOR  
8 – RED/YELLOW BI-COLOR  
9 – ORANGE/YELLOW BI-COLOR  
A –

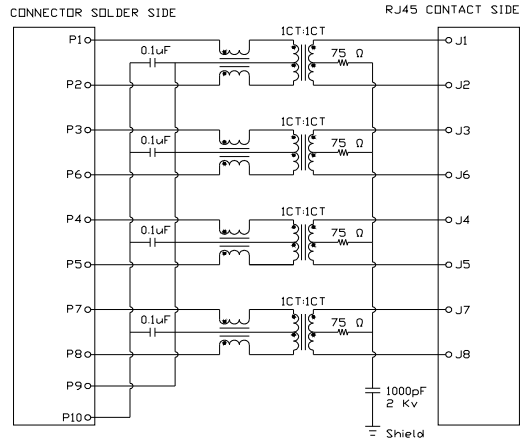
**CONTACT EDAC FOR FURTHER INFORMATION ON VARIOUS OTHER CIRCUITS**

### 16 TYPE



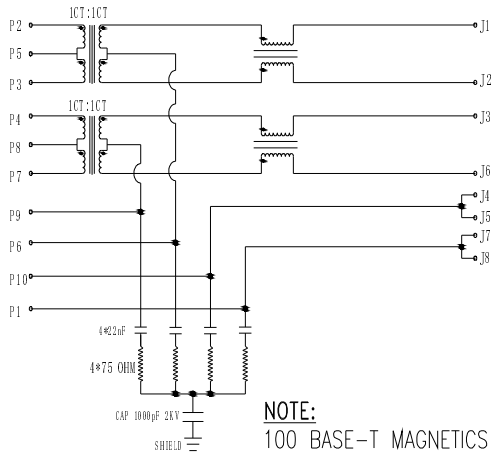
**NOTE:**  
100 BASE-T MAGNETICS

### 70 TYPE



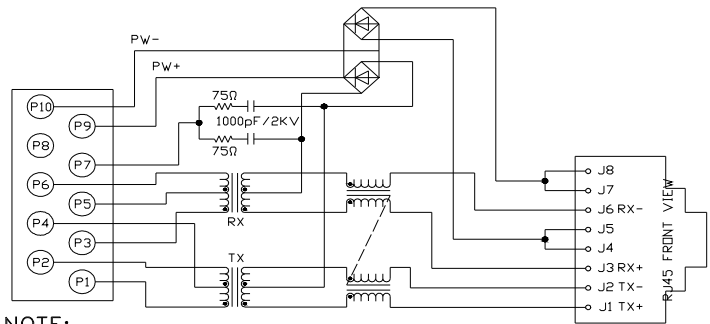
**NOTE:**  
GIGABIT ETHERNET (1000 BASE-T) MAGNETICS

### P1 TYPE: POWER OVER ETHERNET



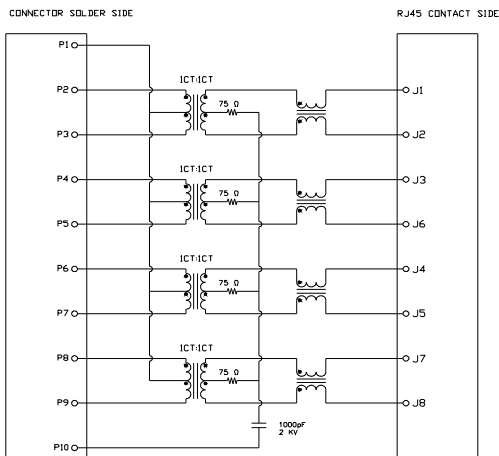
**NOTE:**  
100 BASE-T MAGNETICS

### 13 TYPE: POWER OVER ETHERNET



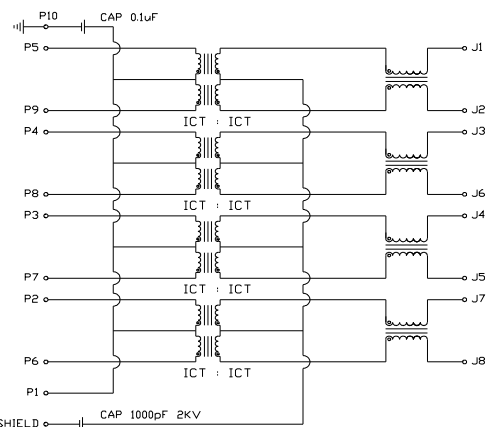
**NOTE:**  
100 BASE-T MAGNETICS

### 32 TYPE



**NOTE:**  
GIGABIT ETHERNET (1000 BASE-T) MAGNETICS

### 30 TYPE



**NOTE:**  
GIGABIT ETHERNET (1000 BASE-T) MAGNETICS