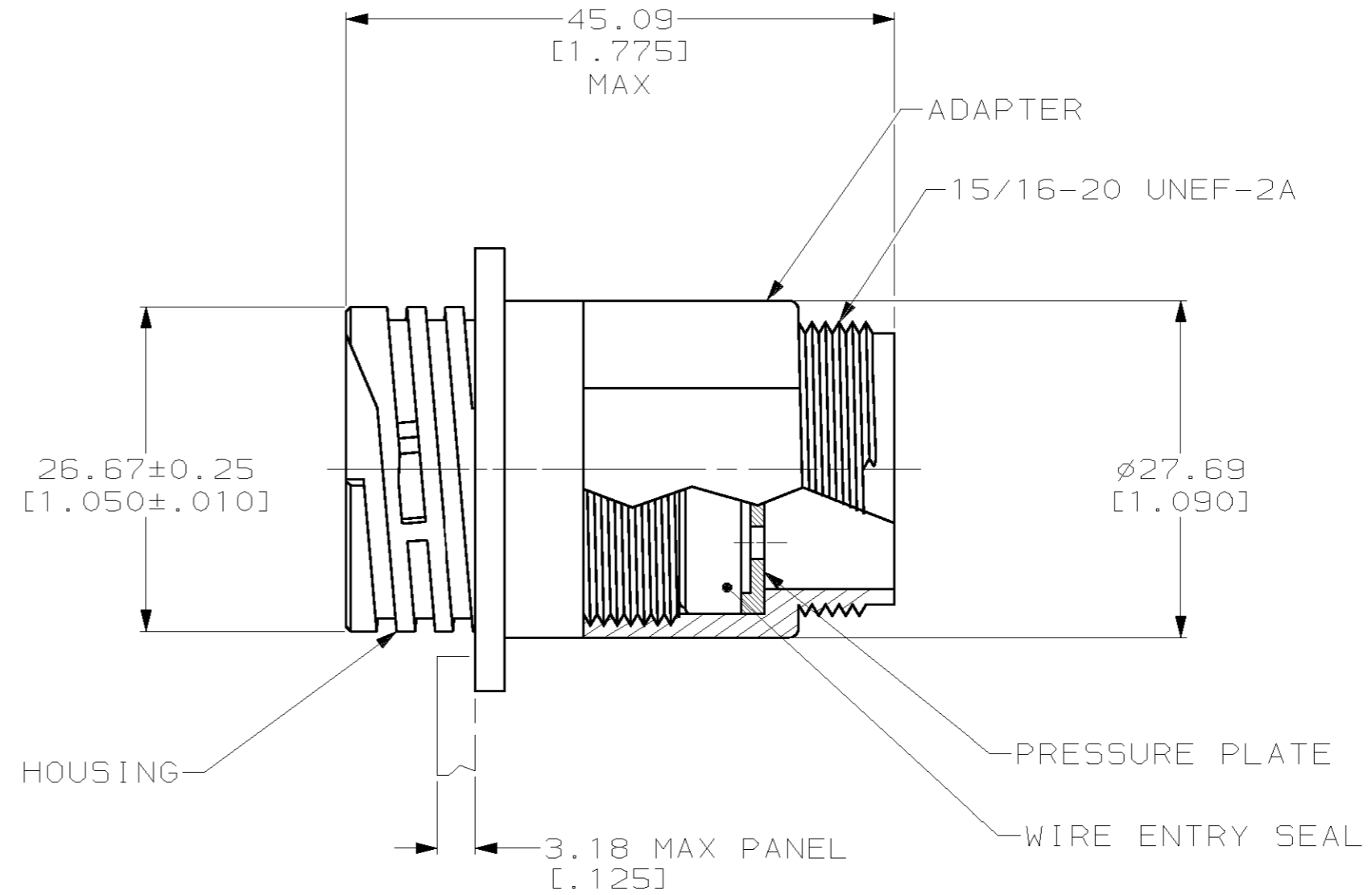
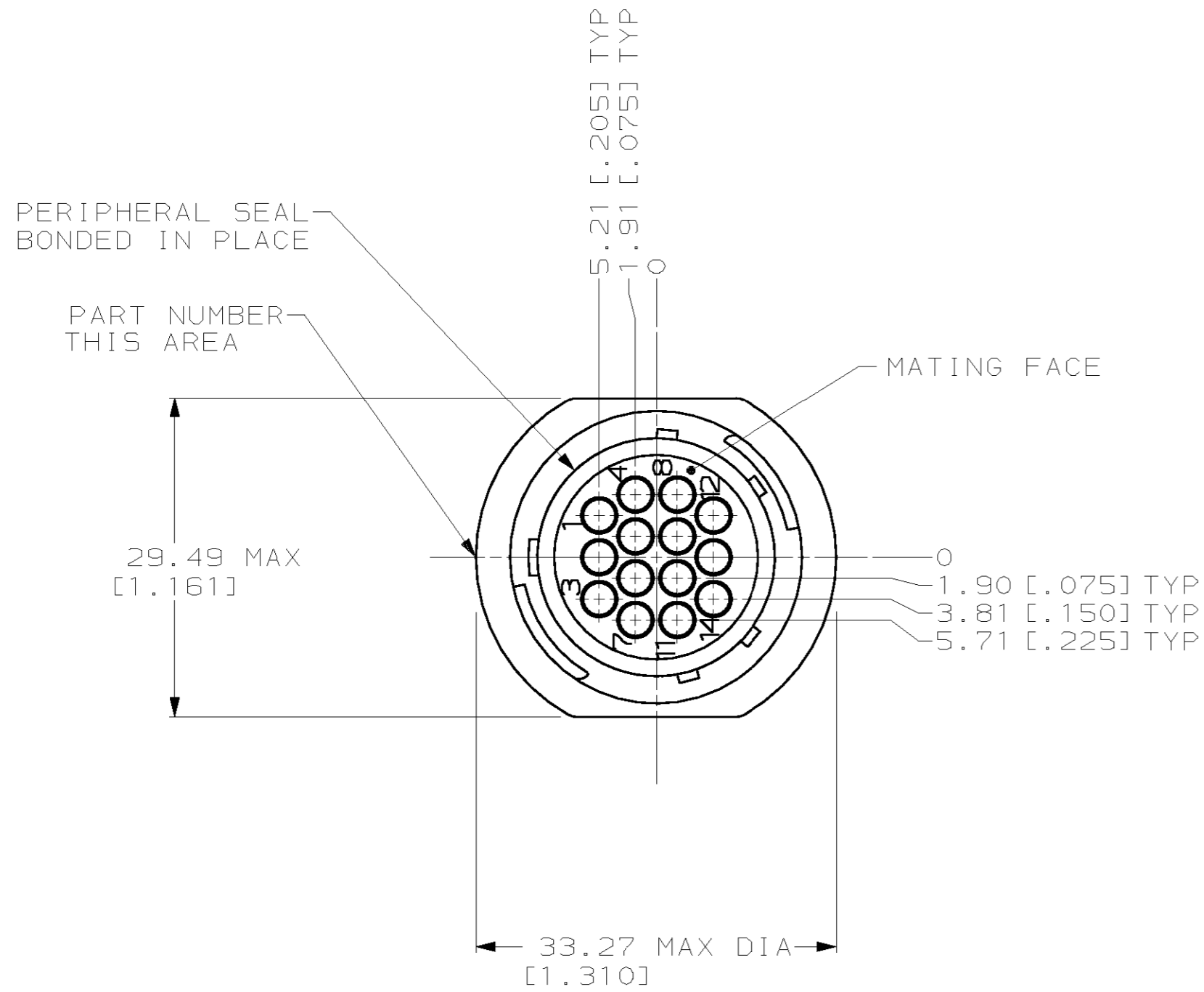


THIS DRAWING IS UNPUBLISHED. RELEASED FOR PUBLICATION .19
 © COPYRIGHT 19 BY AMP INCORPORATED. ALL RIGHTS RESERVED.

LOC		DIST		REVISIONS			
P	LTR	DESCRIPTION	DATE	DWN	APVD		
FT	0						
C		REVISE PER ECN 063B-0348-00	14AUG00	SU	H5		

- 1. HOUSING, ADAPTER AND PRESSURE PLATE: NYLON, BLACK.
 WIRE ENTRY SEAL: ELASTOMER, RED-IRON OXIDE.
 PERIPHERAL SEAL: ELASTOMER, GREY.
- 2. CONNECTOR WILL ACCEPT (14) MULTIMATE SOCKET CONTACTS.



796273-1
 PART NUMBER

THIS DRAWING IS A CONTROLLED DOCUMENT.		DWN L. McEACHIN 27JAN2000	AMP Incorporated Harrisburg, PA 17105-3608	
DIMENSIONS: mm [INCHES]		CHK K. DOWHOWER 27JAN2000		
TOLERANCES UNLESS OTHERWISE SPECIFIED:		APVD K. DOWHOWER 27JAN2000		
0 PLC ±- 1 PLC ±- 2 PLC ±- 3 PLC ±- 4 PLC ±- ANGLES ±-		NAME K. DOWHOWER	ASSEMBLY, RECEPTACLE, REVERSE SEX, 17-14, FREE HANGING, SEALED	
MATERIAL - 1		FINISH -	SIZE A2	CAGE CODE 00779
			DRAWING NO C- 796273	RESTRICTED TO -
			SCALE 2:1	SHEET 1 OF 1
			CUSTOMER DRAWING	REV C

796273