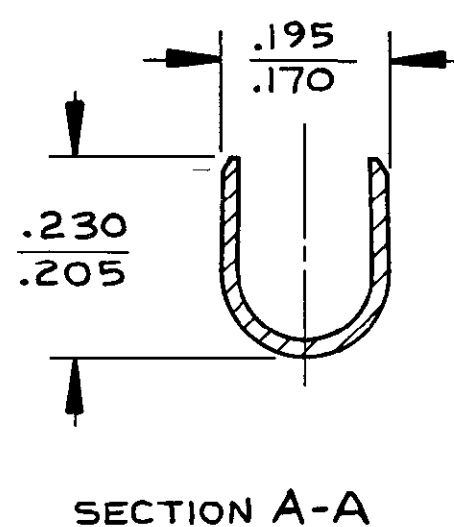
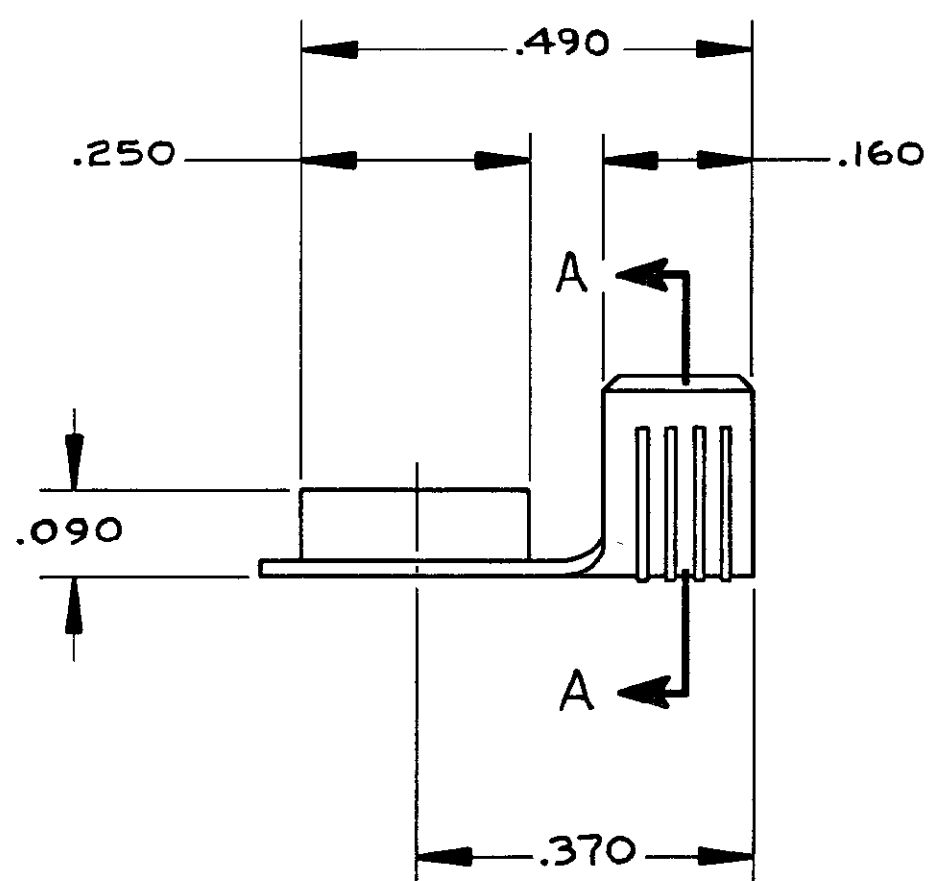
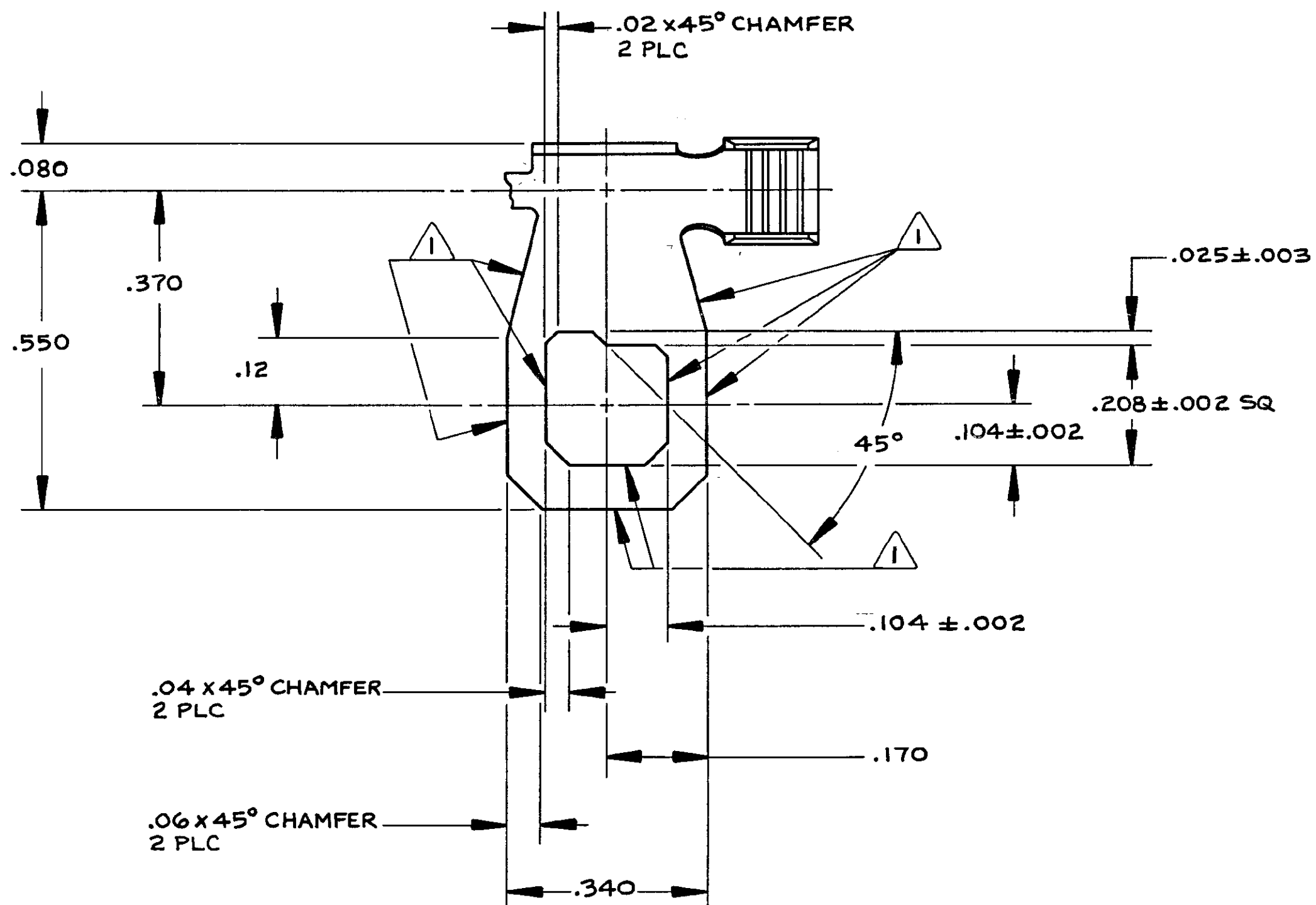


THIS DRAWING IS UNPUBLISHED. RELEASED FOR PUBLICATION, 19
 © COPYRIGHT 19 BY AMP INCORPORATED, HARRISBURG, PA. ALL INTERNATIONAL RIGHTS RESERVED. AMP PRODUCTS MAY BE COVERED BY U.S. AND FOREIGN PATENTS AND/OR PATENTS PENDING.

LOC	DIST	REVISIONS				
P	F	ZONE	LTR	DESCRIPTION	DATE	APPD
AF	50					
		C		RELEASED - 3 PER PRCM 87-83 &	8-6-87	ST
				REDRAWN PER STANDARDS		REN
		D		REV PER 0710-0427-95	2/24/95	PME



BRIGHT TIN	61016-3
MATTE TIN	61016-1
FINISH	PART NUMBER

UNLESS OTHERWISE SPECIFIED DIMENSIONS ARE IN INCHES TOLERANCES ON		AMP AMP INCORPORATED Harrisburg, Pa. 17105	
2 PL DEC ± .01	3 PL DEC ± .015	DR	NAME
ANGLES ± 1° 0'		CHK <i>S. James</i> 8-6-87	
MATERIAL	FINISH	APPD <i>Prullachington</i> 8.10.87	NAME
BRASS 4HD	SEE TABLE	APPD <i>Don N. Crane</i> 11 Apr 87	FLAG TONGUE
		PRODUCT SPEC	
		APPLICATION SPEC	SIZE C
		WEIGHT	FSCM NO 00779
			DRAWING NO 61016
			SCALE 5:1
			SHEET 1 OF 1