

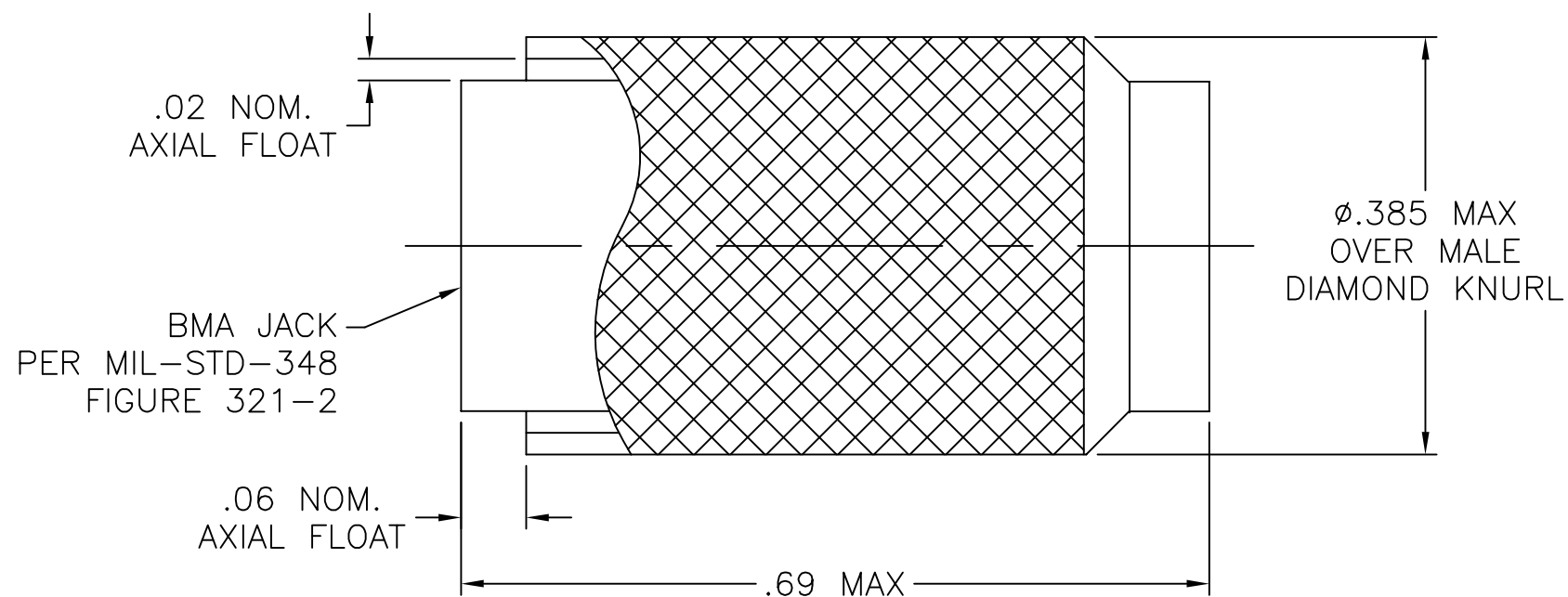
NOTES: UNLESS OTHERWISE SPECIFIED.

1. SPECIFICATIONS:

- 1.1 FREQUENCY RANGE: DC TO 18.0 GHz
- 1.2 INPUT POWER (MAX): 0.5 WATTS @ +25°C  
DERATED LINEARLY TO 0 WATTS @ +125°C
- 1.3 OPERATING TEMP. RANGE: -65°C TO +125°C
- 1.4 IMPEDANCE: 50 OHMS NOMINAL
- 1.5 VSWR: 1.10 +0.01F(GHz)

2. MATERIAL & FINISH:

- 2.1 BODY (INNER & OUTER): PASSIVATED STAINLESS STEEL
- 2.2 DIELECTRIC: PTFE (TEFLON)
- 2.3 CENTER CONTACT: GOLD PLATED BERYLLIUM COPPER
- 2.4 OUTER CONDUCTOR: GOLD PLATED BERYLLIUM COPPER



REV.	DESCRIPTION	DATE
-	RELEASE	2/10/99
-1	ADD TITILEBLOCK	11/14/05
A	ECO 24975	1/3/14

<p>NOTICE: The information contained in this drawing is proprietary and must not be used without the permission of Emerson Network Power.</p> <p>UNLESS OTHERWISE NOTED DIMENSIONS ARE IN INCHES AND TOLERANCES ARE:          3 PLACE DECIMALS ±.005          2 PLACE DECIMALS ±.02          FRACTIONS ±1/64          PARALLELITY: T.I.R. _____          FLATNESS: T.I.R. _____          CONCENTRICITY: T.I.R. _____          ANGLES AND PERPENDICULARITY: ±2'</p>	<p>CAGE CODE <b>34078</b></p>	<p><b>MIDWEST MICROWAVE</b></p>	
	<p><b>EMERSON</b> Network Power Connectivity Solutions</p>		<p>TITLE TERMINATION OUTLINE DRAWING</p>
<p>DRAWN/DATE C. WALLACE 1/27/14</p>	<p>ENG./DATE J. KEREKES 1/3/14</p>	<p>DRAWING NUMBER TRM-2191-F0-BMA-02-01</p>	
<p>CHECKED/DATE J. KEREKES 1/28/14</p>	<p>APPROVED/DATE J. KEREKES 1/28/14</p>	<p>SCALE: 6:1</p>	<p>REV. A</p> <p>SHEET 1 of 1</p>