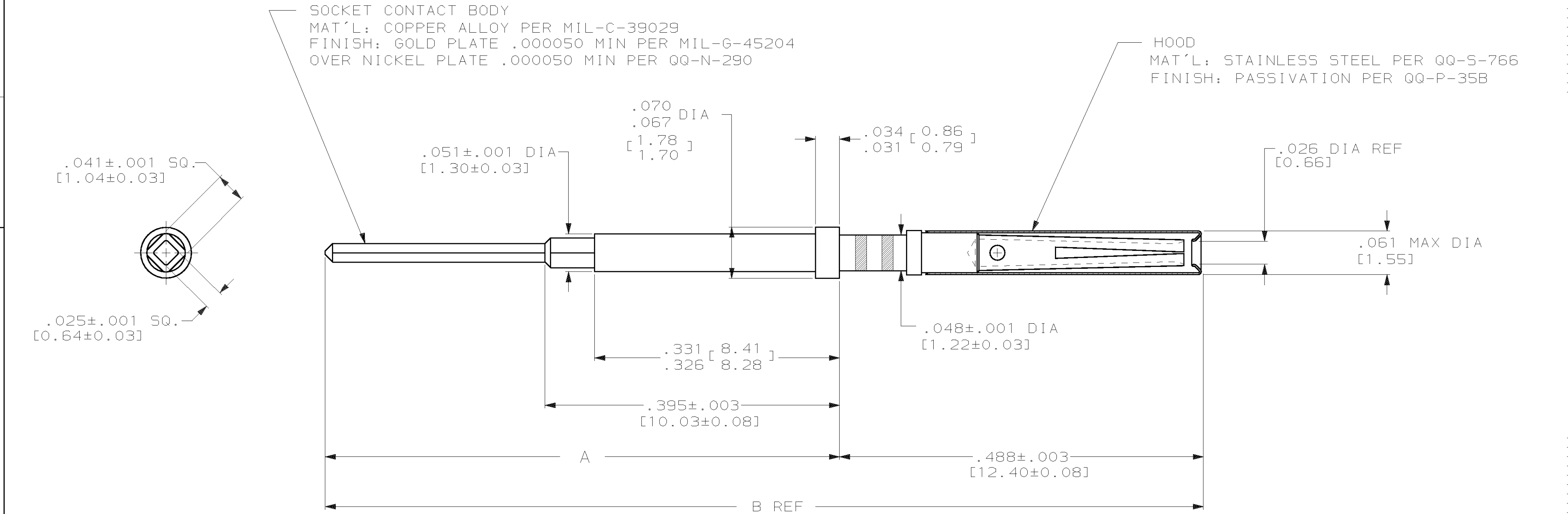


THIS DRAWING IS UNPUBLISHED. RELEASED FOR PUBLICATION
 © COPYRIGHT 19 BY AMP INCORPORATED. ALL INTERNATIONAL RIGHTS RESERVED.

LOC	DIST	P	F	ZONE	LTR	DESCRIPTION	DATE	APPD	
DF	AO				C	REV PER 063D-0289-00	CT	10-00	5G



.522 [13.26]	1.441 [36.60]	.953 [24.21]	1-211245-2
.392 [9.96]	1.311 [33.30]	.823 [20.90]	1-211245-0
.636 [16.15]	1.555 [39.50]	1.067 [27.10]	211245-8
.500 [12.70]	1.419 [36.04]	.931 [23.65]	211245-6
.375 [9.53]	1.289 [32.74]	.801 [20.35]	211245-4
.250 [6.35]	1.169 [29.69]	.681 [17.30]	211245-2
MINIMUM EXTENSION BEYOND INSERT		B DIM REF	A DIM
			PART NO

DO NOT SCALE PRINT. UNLESS SPECIFIED DIMENSIONS IN INCHES [mm] TOLERANCES ON : 2 PLC DEC ± - 3 PLC DEC ± .005 [0.13] ANGLES ± -	DR 5-9-91 C.C.THOMAS	AMP Incorporated Harrisburg, PA 17105-3608	
	CHK 6-19-91 A.SHARPE		
MATERIAL SEE CALLOUTS	APPD 6-19-91 A.SHARPE	PRODUCT SPEC -	SIZE C 00779
FINISH SEE CALLOUTS	APPD 6-19-91 C.C.THOMAS	APPLICATION SPEC -	DRAWING NO 211245
	WEIGHT -	SCALE 10:1	SHEET 1 OF 1