

Panel Cutout:

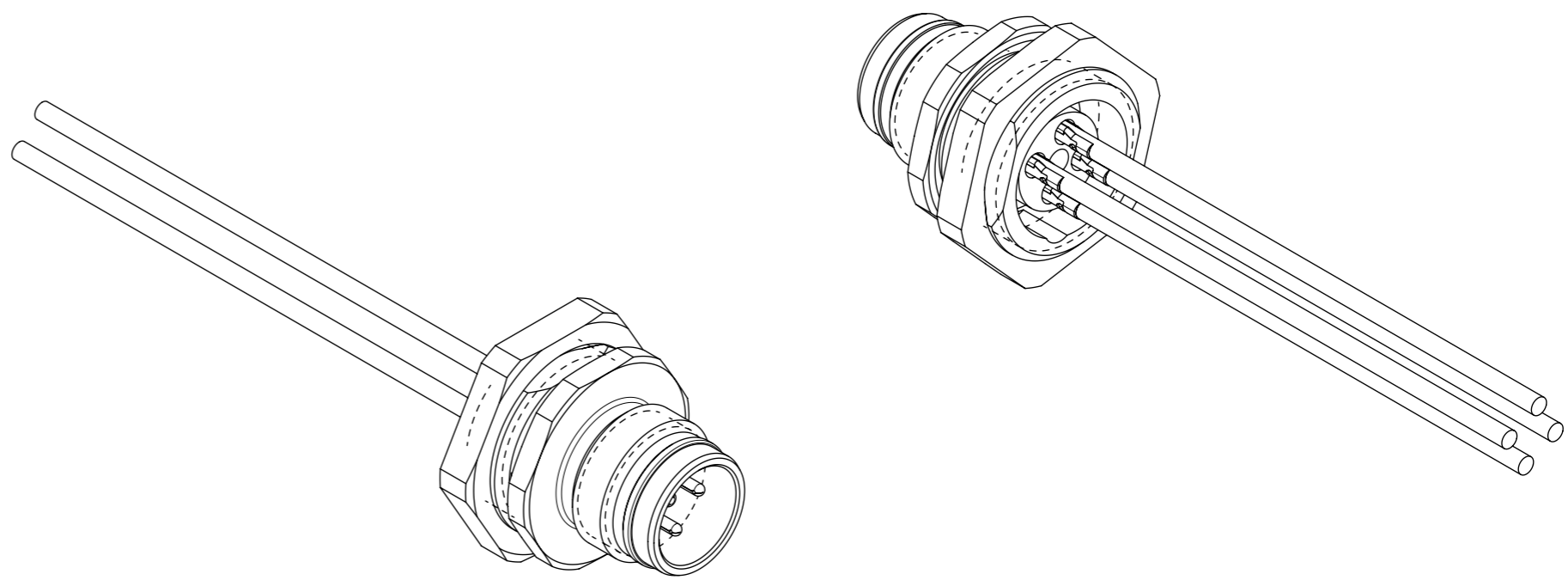
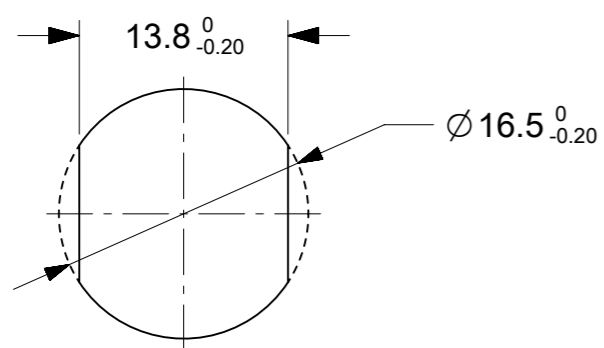


TABLE 1

ITEM	QTY.	COMPONENT	MATERIAL	FINISH
1	1	REC SHELL	BRASS	NICKEL PLATED
2	1	INSERT	PA	BLACK
3	4/5/8/12	CONTACT	BRASS /GOLD	CuZn Ni/Au
4	-	WIRES	COPPER/PVC	NONE
5	1	O-RING	NBR	BLACK
6	1	LOCKNUT	BRASS	NICKEL PLATED
7	-	POTTING MATERIAL	WEVO	NONE

THIS DRAWING CONTAINS INFORMATION THAT IS PROPRIETARY TO MOLEX ELECTRONIC TECHNOLOGIES, LLC AND SHOULD NOT BE USED WITHOUT WRITTEN PERMISSION

2017/12/21	2017/12/21	GENERAL TOLERANCES (UNLESS SPECIFIED)		DIMENSION UNITS	SCALE									
		ANGULAR TOL ± 1.0 °		mm	2:1									
EC NO: 169742	DRWN: RSILLER	CHK'D: RSILLER	APPR: RSILLER	4 PLACES ±	SSM		DATE							
				3 PLACES ±	DATE		2017/09/26							
A1	REV	A1	REV	2 PLACES ± 0.05	CHKD BY		DATE							
				1 PLACE ± 0.1	RSILLER		2017/12/15							
DRAFT WHERE APPLICABLE MUST REMAIN WITHIN DIMENSIONS				DRAWING SIZE	THIRD ANGLE PROJECTION	<table border="1"> <tr> <td>SERIES</td> <td>MATERIAL NUMBER</td> <td>CUSTOMER</td> </tr> <tr> <td>120084</td> <td>SEE TABLE 2</td> <td>GENERAL MARKET</td> </tr> </table>	SERIES	MATERIAL NUMBER	CUSTOMER	120084	SEE TABLE 2	GENERAL MARKET		
SERIES	MATERIAL NUMBER	CUSTOMER												
120084	SEE TABLE 2	GENERAL MARKET												
				A3		<table border="1"> <tr> <td>DOCUMENT NUMBER</td> <td>DOC TYPE</td> <td>DOC PART</td> <td>SHEET NUMBER</td> </tr> <tr> <td>1200845108</td> <td>PSD</td> <td>000</td> <td>1 OF 2</td> </tr> </table>	DOCUMENT NUMBER	DOC TYPE	DOC PART	SHEET NUMBER	1200845108	PSD	000	1 OF 2
DOCUMENT NUMBER	DOC TYPE	DOC PART	SHEET NUMBER											
1200845108	PSD	000	1 OF 2											

TABLE 3

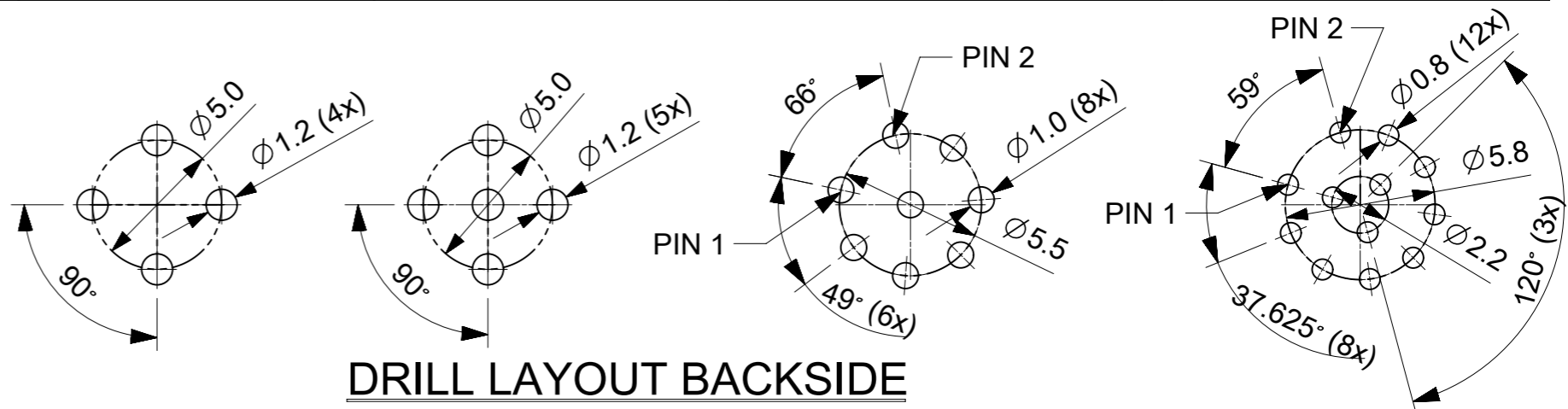
MATERIAL-NO.	1200845108	1200845099	1200845096	1200845003	1200845015	1200845014
ENG-NO.	WR4U26E03C3003	WR5U26E03C3003	WR8U26E02C3003	WR8U26E02M0103	WRCU26E01C3003	WRCU26E01C2003
LAYOUT						
VOLTAGE RATING	250V	60V	30V		30V	
CODING	A - Code	A - Code	A - Code		A - Code	
AMPERE RATING	4A	4A	2A		1.5A	
PROTECTION CLASS CONNECTOR INTERFACE SHELL TO ENCLOSURE	IP 67/69K (in mated condition / when properly installed)					
OPERATING TEMP.	-25°C / 85°C					
UL CERTIFICATION	FILE NO. E152210					
CSA CERTIFICATION	FILE NO. LR6837					
WIRE LEAD	0.34 mm ² PVC	0.34 mm ² PVC	0.25 mm ² PVC		0.14 mm ² PVC	
PIN DIAMETER	1.0 mm	1.0 mm	0.8 mm		0.6 mm	
WIRE COLOR	ACCORDING TO IEC 60947-5-2		ACCORDING TO DIN 47100			

TABLE 5

DIN 47100	
PIN	COLOR
1	WHITE/Weiß
2	BROWN/braun
3	GREEN/Grün
4	YELLOW/Gelb
5	GREY/grau
6	PINK/Rosa
7	BLUE/blau
8	RED/rot
9	BLACK/schwarz
10	PURPLE/lila
11	GREY-PINK/grau-rosa
12	RED-BLUE/rot-Blau

TABLE 4

IEC 60947-5-2	
PIN	COLOR
1	BROWN/braun
2	WHITE/Weiß
3	BLUE/blau
4	BLACK/schwarz
5	GRAY/grau



DRILL LAYOUT BACKSIDE

TABLE 2

MOLEX P/N	ENGINEERING NR.	L [mm]	TOL	DESCRIPTION
1200845108	WR4U26E03C3003	300	±10	REC U12 4P AC MA 0.3M M16 FM WIR BRA AU
1200845099	WR5U26E03C3003	300	±10	REC U12 5P AC MA 0.3M M16 FM WIR BRA AU
1200845096	WR8U26E02C3003	300	±10	REC U12 8P AC MA 0.3M M16 FM WIR BRA AU
1200845003	WR8U26E02M0103	1000	±20	REC U12 8P AC MA 1,0M M16 FM WIR BRA AU
1200845015	WRCU26E01C3003	300	±10	REC U12 12P AC MA 0.3M M16 FM WIR BRA AU
1200845014	WRCU26E01C2003	200	±10	REC U12 12P AC MA 0.2M M16 FM WIR SE SHD

THIS DRAWING CONTAINS INFORMATION THAT IS PROPRIETARY TO MOLEX ELECTRONIC TECHNOLOGIES, LLC AND SHOULD NOT BE USED WITHOUT WRITTEN PERMISSION

2017/12/21	2017/12/21	GENERAL TOLERANCES (UNLESS SPECIFIED)	DIMENSION UNITS	SCALE	molex
		mm	2:1		
EC NO: 169742 DRWN: RSILLER CHK'D: RSILLER APPR: RSILLER	REV APPR: RSILLER	ANGULAR TOL ± 1.0 °	DRWN BY	DATE	REC U12 XP AC MA XM M16 FM WIR BRA AU
		4 PLACES ±	SSM	2017/09/26	
		3 PLACES ±	CHK'D BY	DATE	
		2 PLACES ± 0.05	CHKD BY	DATE	
1 PLACE ± 0.1	APPR BY	DATE	RSILLER	2017/12/15	PRODUCT CUSTOMER DRAWING
0 PLACES ± 0.2	DRAFT WHERE APPLICABLE MUST REMAIN WITHIN DIMENSIONS	DRAWING SIZE	THIRD ANGLE PROJECTION	A3	SERIES: 120084 MATERIAL NUMBER: SEE TABLE 2 CUSTOMER: GENERAL MARKET
A1	REV	DOCUMENT NUMBER: 1200845108 DOC TYPE: PSD DOC PART: 000 SHEET NUMBER: 2 OF 2			