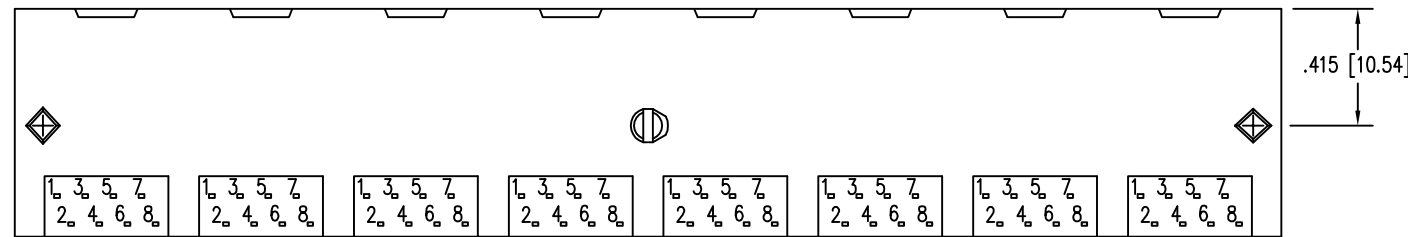
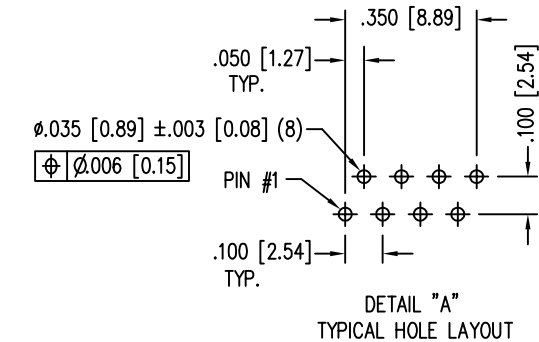
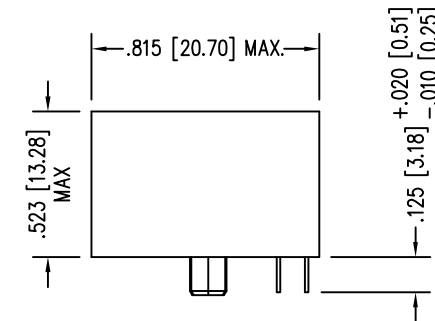
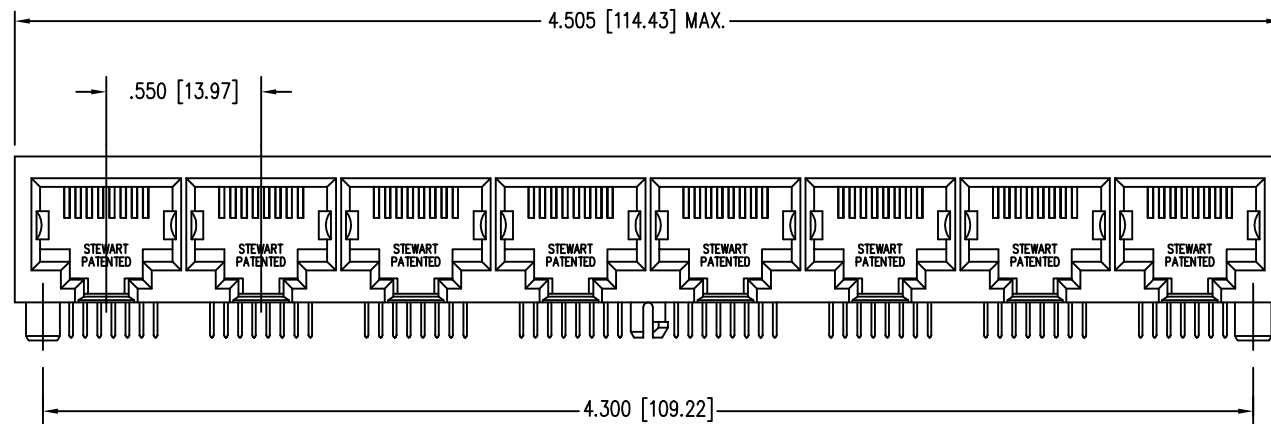


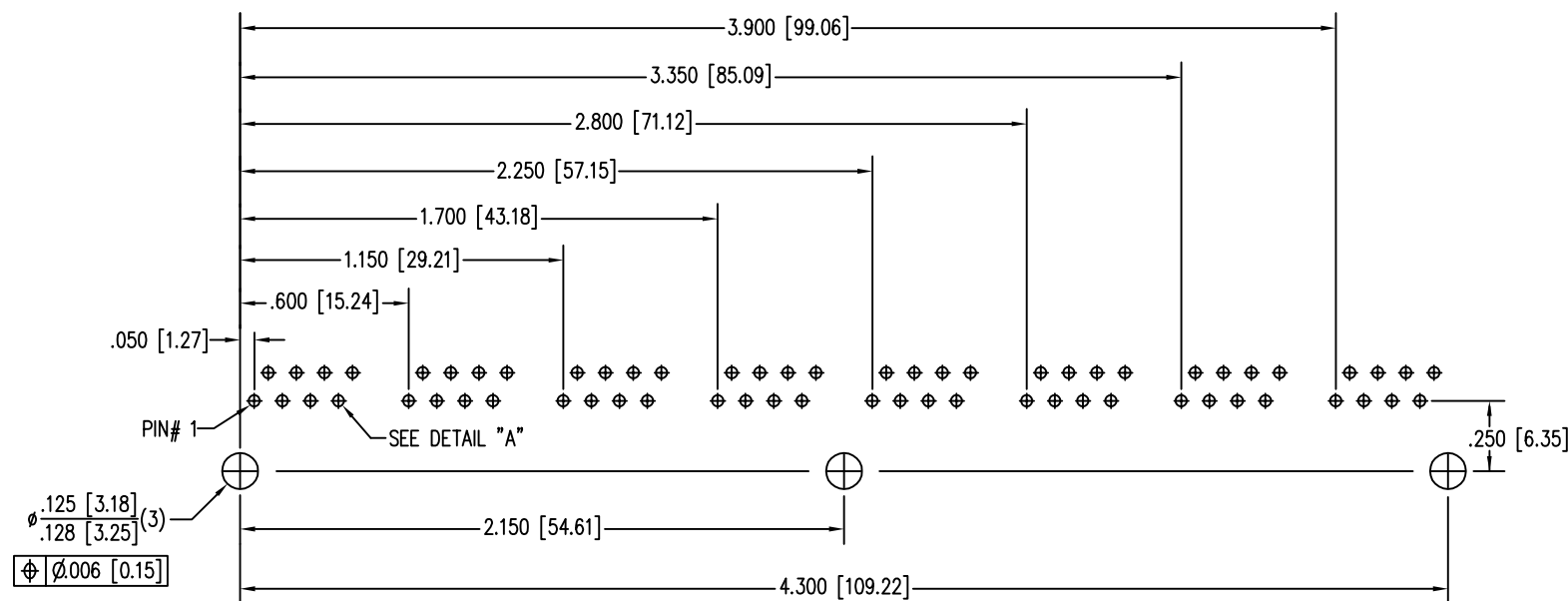
| DATE | REV | ECN | APP'D. BY |
|----------|-----|-------|-----------|
| 12-20-05 | A4 | 7416 | TRM |
| 01-26-06 | A5 | 7467 | JM |
| 9-20-06 | A6 | 7746 | TRM |
| 6-11-12 | A7 | 9504 | SMN |
| 1-15-15 | A8 | 10200 | TRM |



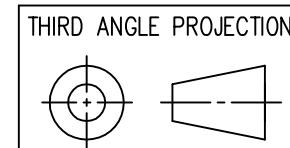
NOTES:

- CONNECTOR MATERIALS:
HOUSING: THERMOPLASTIC UL94 V-0
CONTACTS: COPPER ALLOY
CONTACT PLATING: SELECTIVE GOLD IN CONTACT AREA
SEE CHART FOR PART NUMBER
- FOR PRODUCT SPECIFICATIONS SEE PR022-01.
- DIMENSIONS AND TOLERANCES COMPLY WITH FCC/CFR 47, PART 68.

| | |
|-----------------------------------|--------------|
| 30 MICRO-INCHES [0.76um] | SS-668808-NF |
| CONTACT PLATING IN MATING AREA | PART NUMBER |



P.C.B. RECOMMENDED HOLE LAYOUT
SEEN FROM COMPONENT SIDE
ALL CENTERLINE DIMENSIONS ARE BASIC.



1118 Susquehanna Trail South
Glen Rock, PA 17327-9199
(717) 235-7512
<http://www.stewartconnector.com>

| | |
|--|--|
| DO NOT SCALE DRAWING DRAWING IS SUBJECT TO CHANGE WITHOUT NOTICE | TITLE: 8 PORT PCB HARMONICA JACK PAC, NON-FLANGED |
| DIMENSIONS: INCHES [METRIC] | THIS DRAWING AND THE SUBJECT MATTER SHOWN THEREON ARE CONFIDENTIAL AND THE PROPRIETARY PROPERTY OF STEWART CONNECTOR AND SHALL NOT BE REPRODUCED, COPIED, OR USED IN ANY MANNER WITHOUT PRIOR WRITTEN CONSENT OF STEWART CONNECTOR. THIS PRODUCT MAY BE PROTECTED BY ONE OR MORE OF THE FOLLOWING US PATENTS: 5791942 6217391 6368159 6419526 6602097 687722 6964587 7048590 7086909 7568950 7686650 OTHER PATENTS MAY BE PENDING. |
| UNLESS OTHERWISE SPECIFIED TOLERANCES ARE $\pm 0.05 [0.13]$ ANGLES ARE $\pm 1^\circ$ | DRN BY: EPF DATE 9-30-05 APPD BY: TRM DATE 10-4-05 DWG NO. CT660050 REV. A8 |
| SHEET NO. 1 OF 1 | |