

MATERIALS AND FINISHES

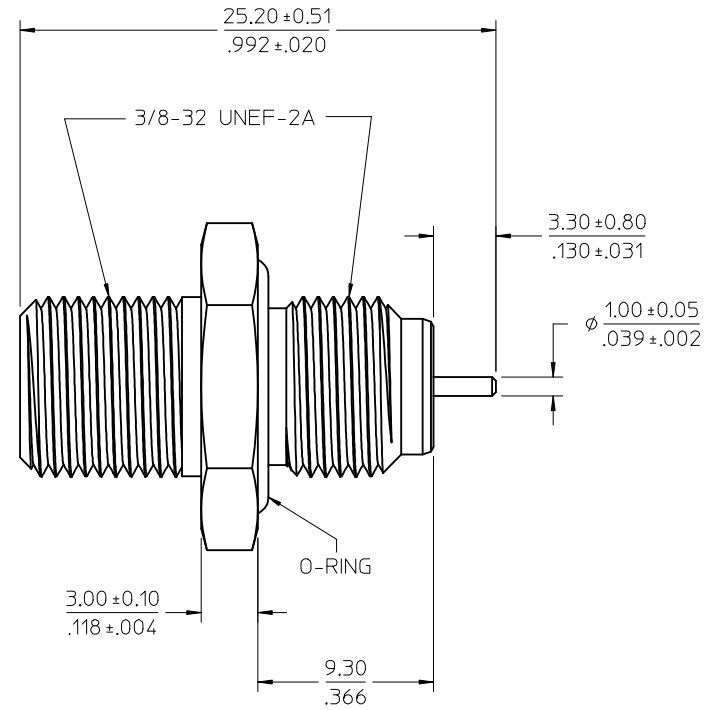
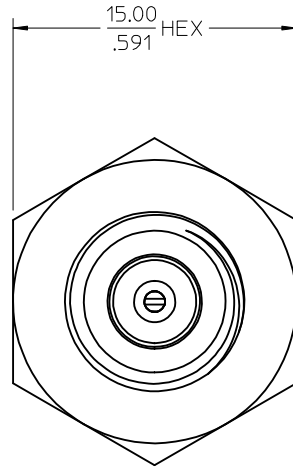
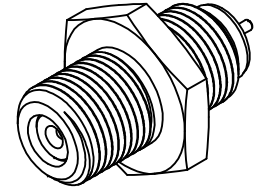
BODY: BRASS
PLATED NICKEL

CONTACT FEMALE: PHOSPHOR BRONZE
PLATED TIN

CONTACT MALE: BRASS
PLATED TIN

INSULATORS: POLYPROPYLENE

GASKET/O-RING: SILICONE RUBBER



PART # 73100-0079

PS-89675-3640	ELEC/MECH PERFORMANCE
SPECIFICATION	DESCRIPTION

CHG: REDREW IN SD
AND LOADED INTO
WM.
EC NO: URF2009-0736
DRAWN:ROBERTSON 2009/06/10
CHKD:SSS 2009/06/10
APPR:JWIENER 2009/06/10

QUALITY SYMBOLS
▽=0
▽=0

GENERAL TOLERANCES (UNLESS SPECIFIED)

	mm	INCH
4 PLACES	± .005	± .0002
3 PLACES	± .003	± .0001
2 PLACES	± .002	± .00008
1 PLACE	± .001	± .00004

ANGULAR ± 2 °

DRAFT WHERE APPLICABLE
MUST REMAIN
WITHIN DIMENSIONS

DIMENSION STYLE
MM/IN

DRAWN BY DATE
CM DENG 1993/07/08

CHECKED BY DATE
R FIELDS 1993/07/08

APPROVED BY DATE

SCALE
METRIC

DESIGN UNITS
METRIC

THIRD ANGLE PROJECTION

TITLE
F JACK RECEPTACLE
F-JR

molex MOLEX INCORPORATED

MATERIAL NO. 731000079

DOCUMENT NO. SD-73100-0079

SHEET NO. 1 OF 1

THIS DRAWING CONTAINS INFORMATION THAT IS PROPRIETARY TO MOLEX INCORPORATED AND SHOULD NOT BE USED WITHOUT WRITTEN PERMISSION