

H G F E D C B A

4

3

2

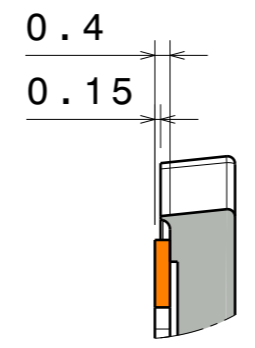
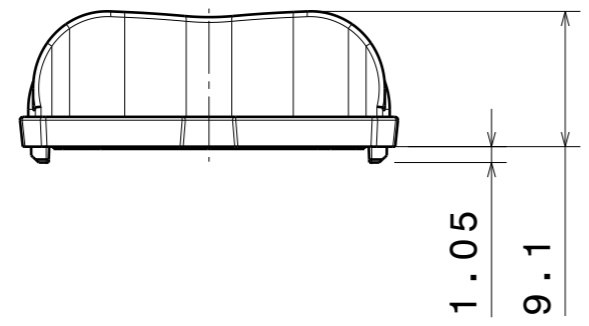
1

4

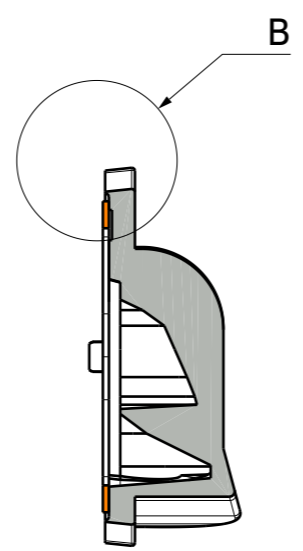
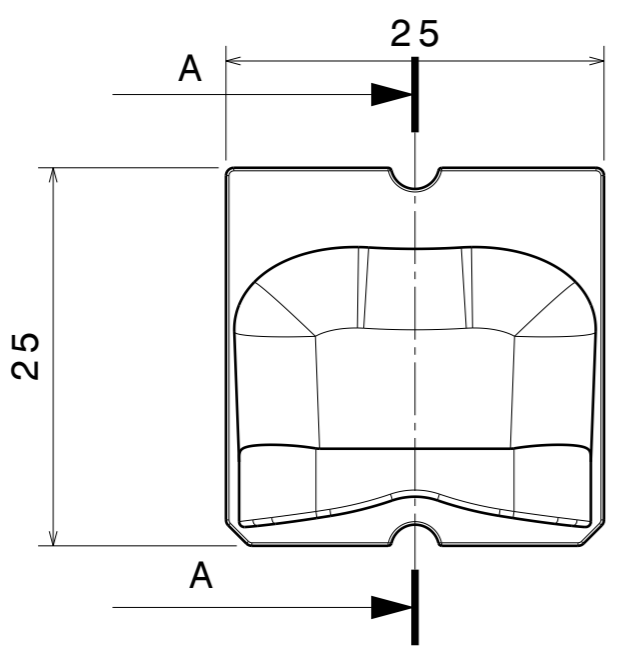
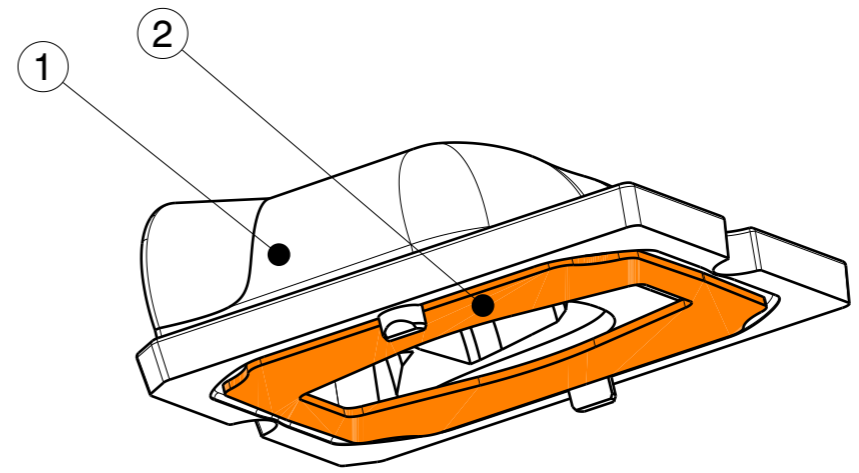
3

2

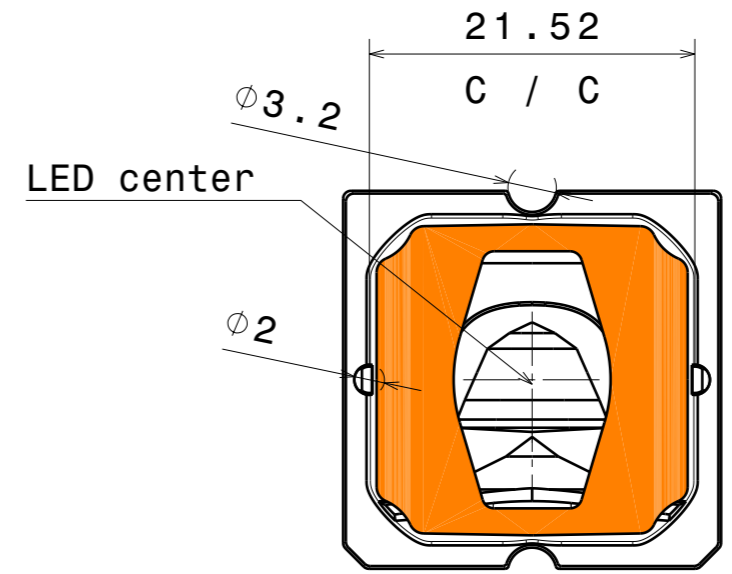
1



Detail B
Scale: 5:1



Section view A-A

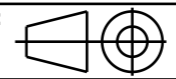


INDEX	PART NO	DESCRIPTION	MATERIAL	COLOUR
1	C16014	STRADA-SQ-SCL	PMMA	Clear
2	C14564	ROSE-TAPE	PU 2-sided foam tape	Adhesive

Tolerances if not otherwise shown
According to DIN ISO 2768-1
Linear measures:
Up to 30mm class M, otherwise class C.
According to DIN ISO 2768-2
Form and position: class L

LEDiL LediL Oy
Salorankatu 10
FIN 24240 SALO
Finland

FIRST ANGLE PROJECTION:



DRAWING TITLE
STRADA-SQ-SCL Mechanical Drawing

This drawing is the property of LEDiL Oy. It may not be reproduced, copied or communicated without a written agreement with LEDiL Oy.

SIZE	PART NUMBER
A3	CA16015

SCALE	2:1	WEIGHT	3,28 g	SHEET	1/1
-------	-----	--------	--------	-------	-----

H G B A