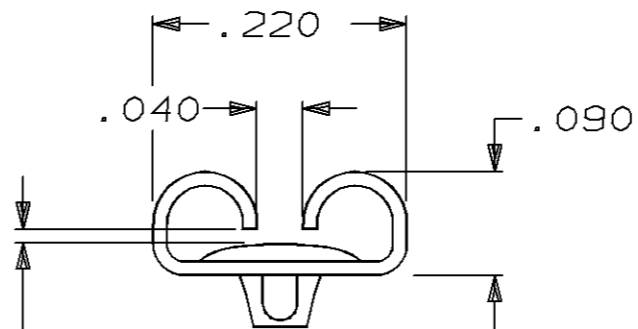
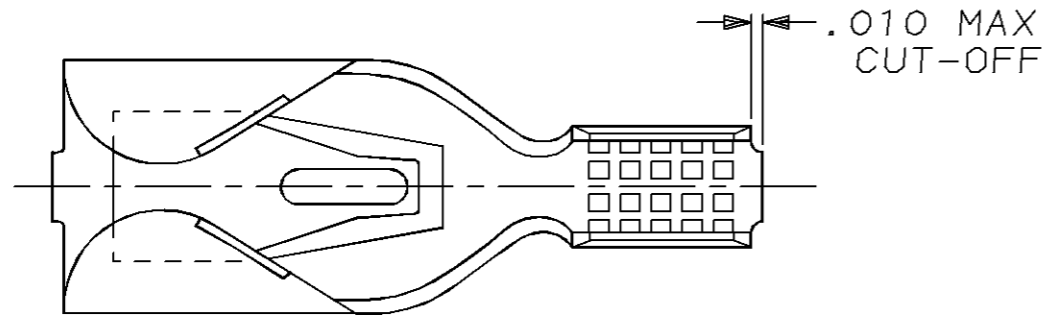


THIS DRAWING IS UNPUBLISHED. RELEASED FOR PUBLICATION, 19
 © COPYRIGHT 19 BY AMP INCORPORATED. ALL INTERNATIONAL RIGHTS RESERVED.

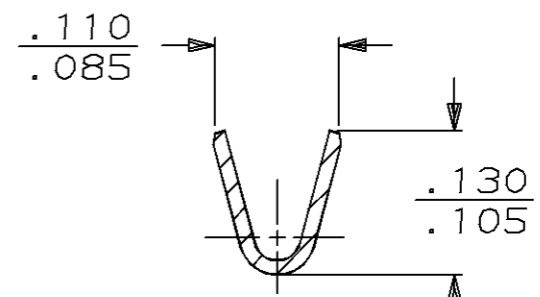
LOC	DIST	P	F	REVISIONS				
AF	50			ZONE	LTR	DESCRIPTION	DATE	APPD
					B	REV PER 0247-94	5/27/94	JR/JG

1 CONTINUOUS STRIP ON REEL

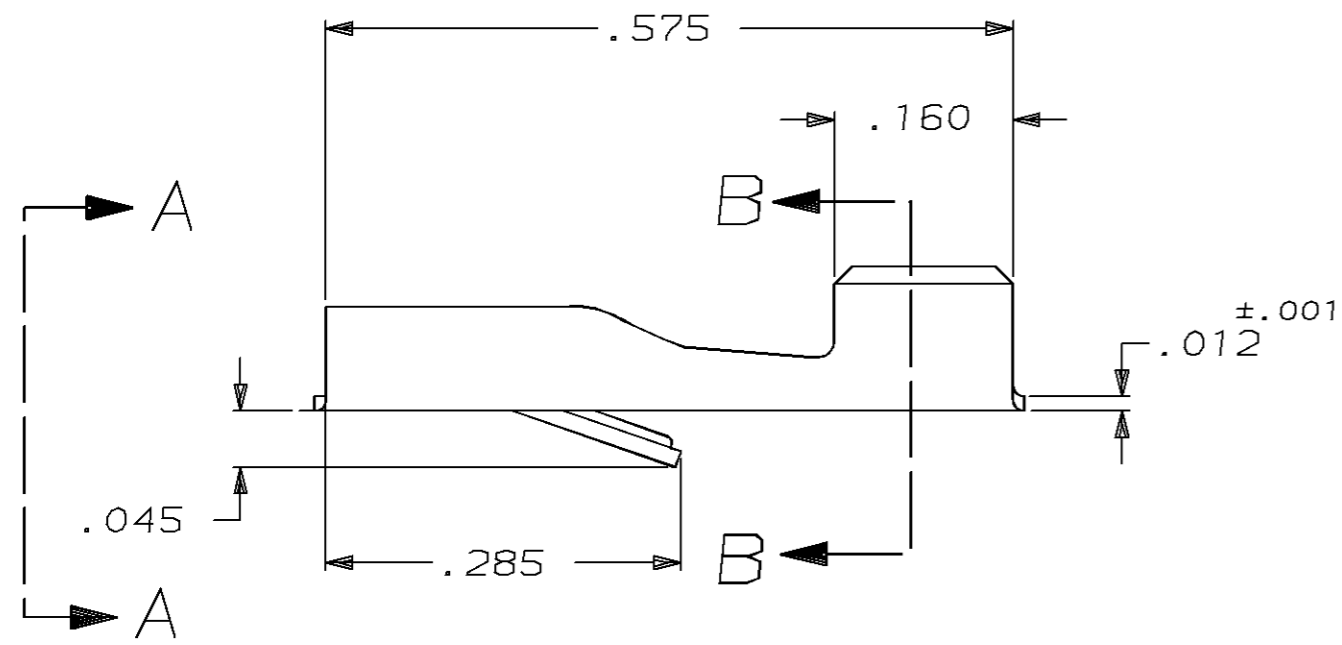


FITS .187 SERIES FASTON CHANNEL TAB

VIEW A-A



SECTION B-B



STRIP LENGTH ±.015	TYPE	WIDTH	±.002 HEIGHT	WIRE
.188	F	.080	.060	16
			.052	18
			.047	20

WIRE BARREL CRIMP

DO NOT SCALE PRINT. UNLESS SPECIFIED DIMENSIONS IN INCHES TOLERANCES ON: 2 PLC DEC ± - 3 PLC DEC ± .010 ANGLES ± -	DR 2/18/89 JR RUTH CHK 2/18/89 MS FEHER APPD 2/18/89 J GILLESPIE APPD 2/18/89 R KUZO PRODUCT SPEC -
MATERIAL #4H BRASS	APPLICATION SPEC 114-2065
FINISH PRE-TIN	WEIGHT -

.020	63521-1
MATING TAB THK ±.001	PART NO
AMP AMP INCORPORATED Harrisburg, Pa. 17105	
NAME RECEPTACLE, FASTIN-FASTON,™ .187 SERIES	
SIZE B	FSCM NO 00779
DRAWING NO 63521	
SCALE 6:1	SHEET 1 OF 1