

# SERIES 200A SWITCHES

## TOGGLE SWITCHES - SUB-MINIATURE

TACT SWITCHES

NAVIGATION SWITCHES

PUSHBUTTON SWITCHES

TOGGLE SWITCHES

ROCKER SWITCHES

SLIDE SWITCHES

SNAP-ACTION SWITCHES

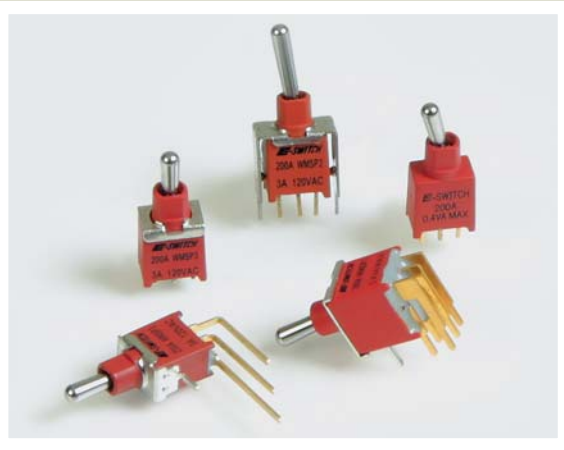
DIP SWITCHES

KEYLOCK SWITCHES

ROTARY SWITCHES

DETECTOR SWITCHES

CAP OPTIONS



### FEATURES & BENEFITS

- ▶ Variety of switching functions
- ▶ Sub-miniature
- ▶ Multiple actuator & bushing options
- ▶ Sealed to IP67

### APPLICATIONS/MARKETS

- ▶ Telecommunications
- ▶ Instrumentation
- ▶ Networking
- ▶ Medical equipment

### SPECIFICATIONS

Contact Rating:	Dependent on contact material
Life Expectancy:	50,000 make-and-break cycles at full load
Contact Resistance:	Below 20 m typ. initial @ 2-4 VDC, 100 mA, for both silver and gold plated contacts
Insulation Resistance:	1,000 M $\Omega$ 1min.
Dielectric Strength:	1,000 V RMS min. @ sea level
Operating Temperature:	-30° C to 85° C
Seal Rated:	IP67

### MATERIALS

Case & Bushing:	Glass filled nylon, flame retardant, heat stabilized (UL 94-V0)
Actuator:	Brass, chrome plated, internal O-ring seal standard for all actuators
Switch Support:	Brass, tin plated
Contacts / Terminals:	Silver or gold plated copper alloy
Terminal Seal:	Epoxy



### HOW TO ORDER

SERIES	MODEL NO.	ACTUATOR	BUSHING	TERMINATION	CONTACT MATERIAL	SEAL
200A	WMSP1 WMSP2 WMSP3 WMSP4 WMSP5 WMSP6*	T1 T2	A1	M2 M6 M61 M7 VS2	Q = Silver R = Gold	E = Epoxy Sealed at Base of Terminal

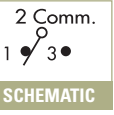
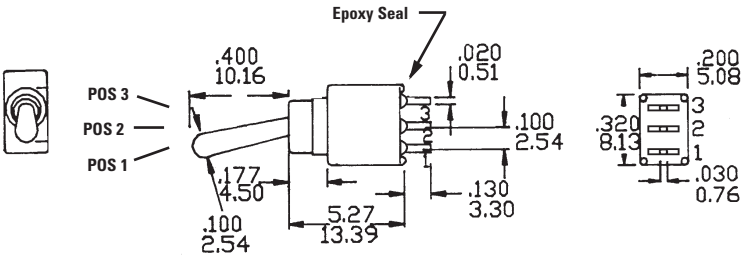


**Example Ordering Number**  
200A-WMSP2-T1-A1-VS2-Q-E

**\*Only available with M2 or VS2 termination**

Specifications subject to change without notice.

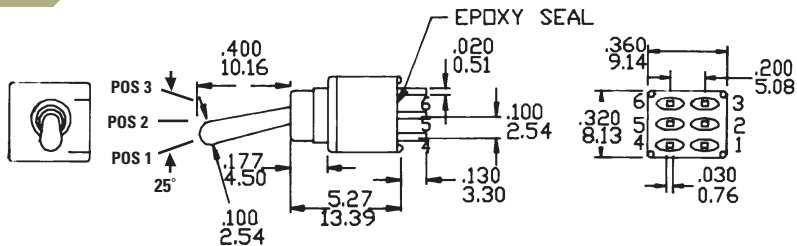
### SPDT



Model No.	POS 1	POS 2	POS 3
WMSP-1	ON	NONE	ON
WMSP-2	ON	NONE	(ON)
WMSP-3	ON	OFF	ON
WMSP-4	(ON)	OFF	(ON)
WMSP-5	ON	OFF	(ON)
Term. Comm.	2-3	OPEN	2-1
WMSP-6	OFF	NONE	ON
Term. Comm.	OPEN	NONE	3-1

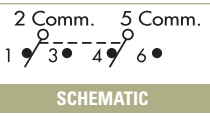
( ) = Momentary

## DPDT

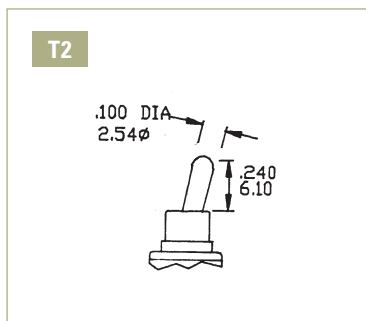
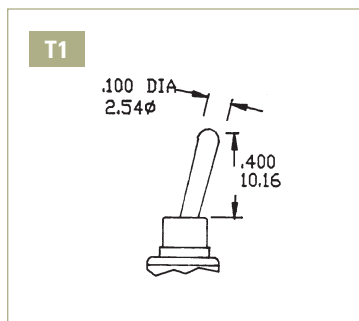


Model No.	POS 1	POS 2	POS 3
WMDP-1	ON	NONE	ON
WMDP-2	ON	NONE	(ON)
WMDP-3	ON	OFF	ON
Term. Comm.	2-3,5-6	OPEN	2-1,5-4

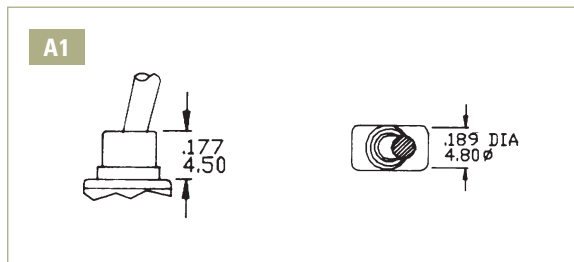
( ) = Momentary



## ACTUATOR OPTIONS

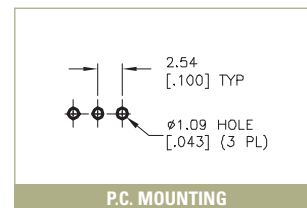
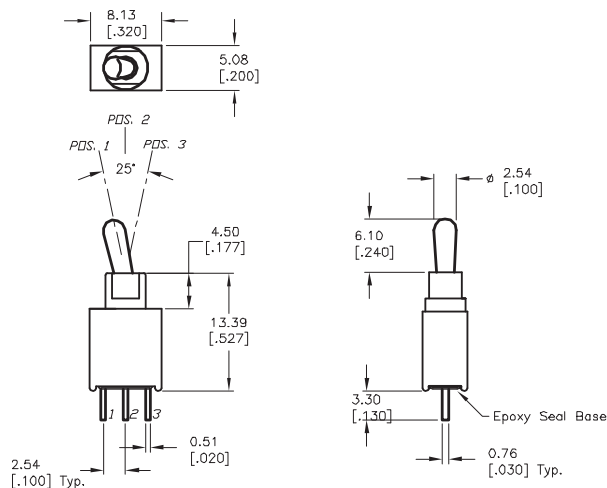


## BUSHING OPTIONS



## TERMINATION OPTIONS

### M2



# SERIES 200A SWITCHES

## TOGGLE SWITCHES - SUB-MINIATURE

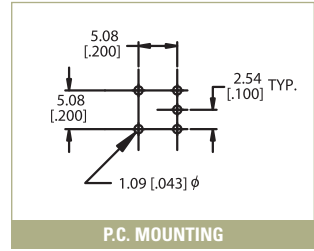
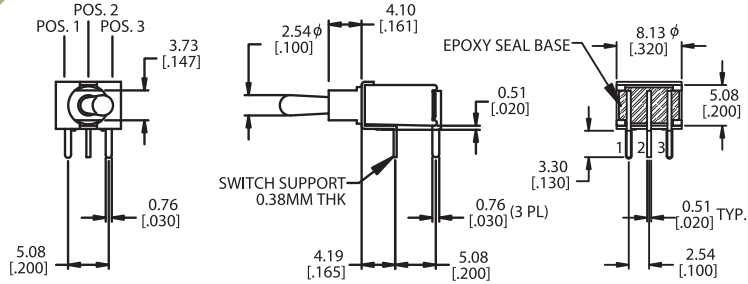
TACT  
SWITCHES

NAVIGATION  
SWITCHES

PUSHBUTTON  
SWITCHES

### M6

SPDT

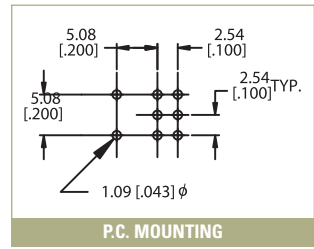
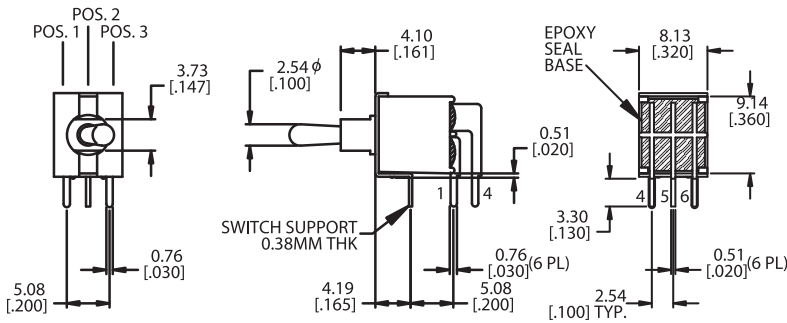


P.C. MOUNTING

TOGGLE  
SWITCHES

### M6

DPDT



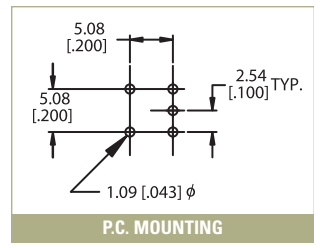
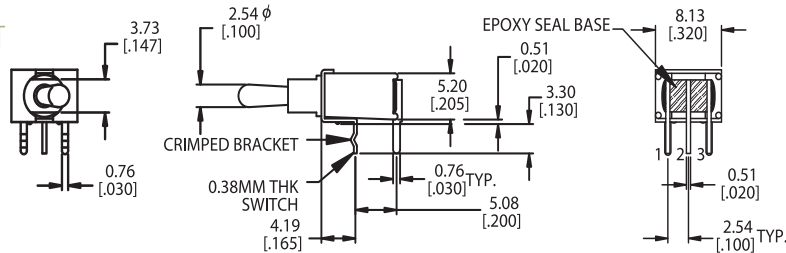
P.C. MOUNTING

ROCKER  
SWITCHES

SLIDE  
SWITCHES

### M61

SPDT  
SNAP-IN BRACKET



P.C. MOUNTING

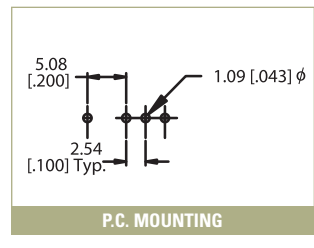
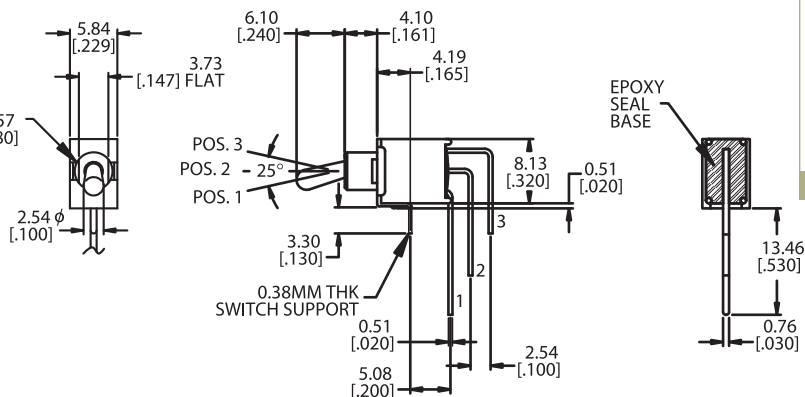
SNAP-ACTION  
SWITCHES

DIP  
SWITCHES

KEYLOCK  
SWITCHES

### M7

SPDT



P.C. MOUNTING

ROTARY  
SWITCHES

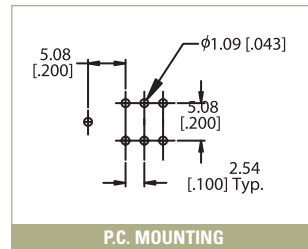
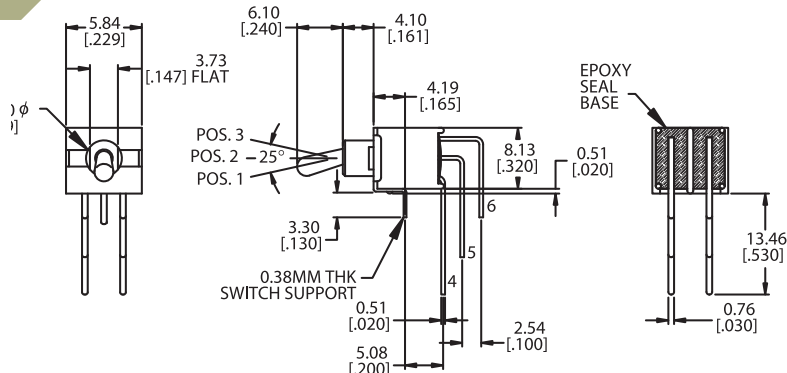
DETECTOR  
SWITCHES

CAP  
OPTIONS



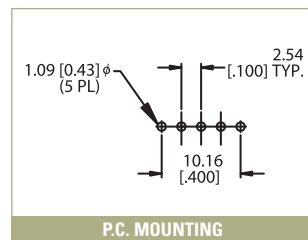
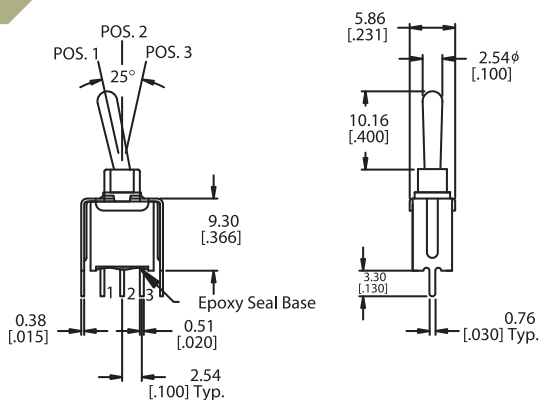
### M7

DPDT



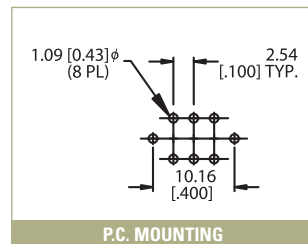
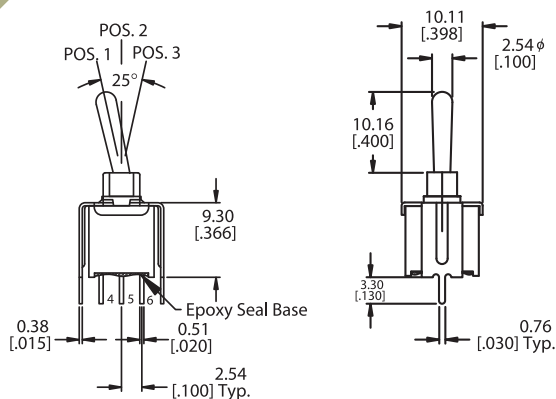
### VS2

SPDT



### VS2

DPDT



### CONTACT MATERIAL OPTIONS

**Q**

Fixed Terminal:	Silver plated copper alloy
Moving Contact:	Silver plated copper alloy
Rating:	3 Amps @ 120VAC or 28VDC; 1 Amp @ 250VAC

**R**

Fixed Terminal:	Copper alloy with gold plate over nickel plate
Moving Contact:	Copper alloy with gold plate over nickel plate
Rating:	0.4 Volt-Amps (VA) max. @ 20V max. (AC or DC)