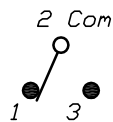
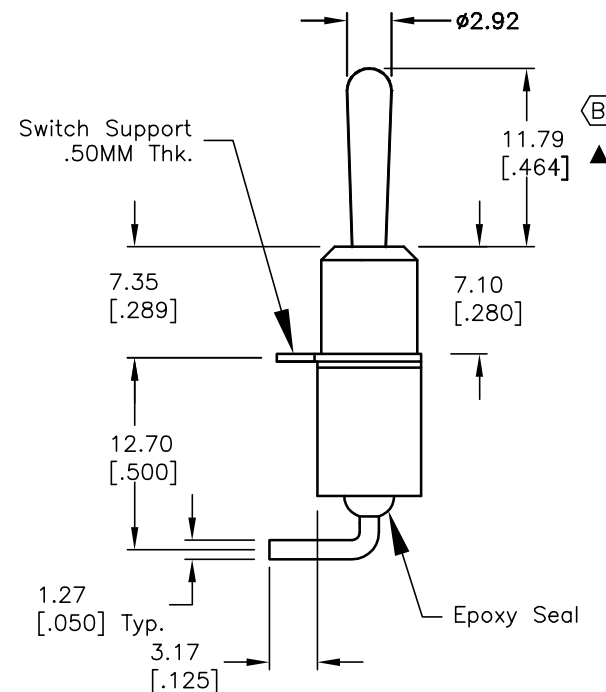
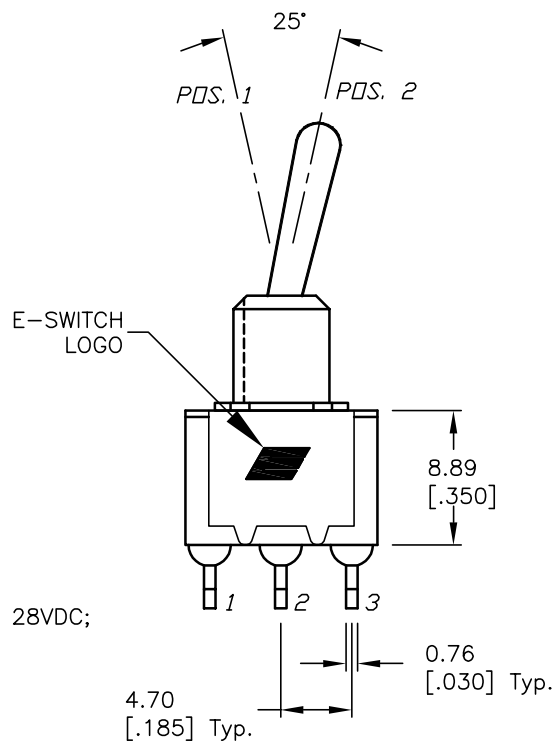
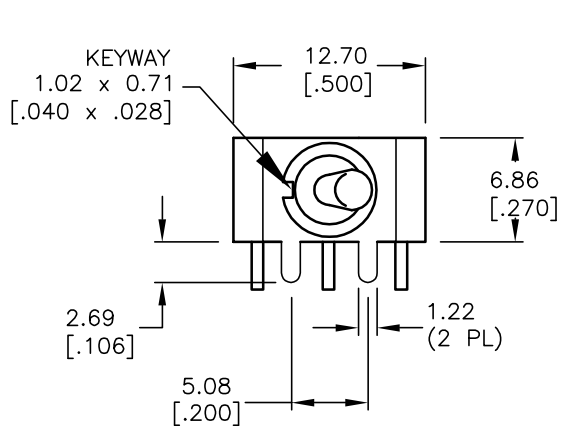


RECOMMENDED P.C.B. LAYOUT



CIRCUIT: SPDT
CONTACT CONFIGURATION

| SWITCH FUNCTION | | |
|-----------------|--------|--------|
| PDS. 1 | PDS. 2 | PDS. 3 |
| | | |
| ON | NONE | ON |
| 2-3 | OPEN | 2-1 |



NOTES:

- ALL DIMENSIONS IN MM [INCH]
- GENERAL TOLERANCE: X.X=±0.4
X.XX=±0.25
- TERM. NOS. FOR REF. ONLY
- RATING: 5 AMPS WITH RESISTIVE LOAD @120VAC or 28VDC;
2 AMPS WITH RESISTIVE LOAD @250VAC
- ▲ FIXED TERM. & MOVING CONTACT:
COPPER ALLOY W/SILVER PLATE.
- ELECTRICAL LIFE: 50,000 make-and-break cycles
at full load.
- INSULATION RESISTANCE: 1,000M ohm min.
- DIELECTRIC STRENGTH: 1,000V RMS @sea level.
- OPERATING TEMP.: -30°C to 85°C.
- ▲ DENOTES CRITICAL PARAMETER.

E-SWITCH®

| | | | | |
|------|---------|-------------------------|---------|------|
| B | 13412 | CORRECT ACTUATOR LENGTH | 8/29/03 | AR |
| A | 13356 | RELEASED FOR PRODUCTION | 8/8/03 | AR |
| REV. | ECN No. | DESCRIPTION | DATE | CHKD |

TITLE
100SP1T1B4M6QE

| | | | | |
|-------|--------|----|---------|-----|
| SCALE | DATE | DR | DWG | REV |
| 2:1 | 8/8/03 | AR | T111072 | B |

THE INFORMATION CONTAINED IN THIS DOCUMENT
IS PROPRIETARY TO E-SWITCH AND IS
NOT TO BE COPIED OR TRANSFERRED