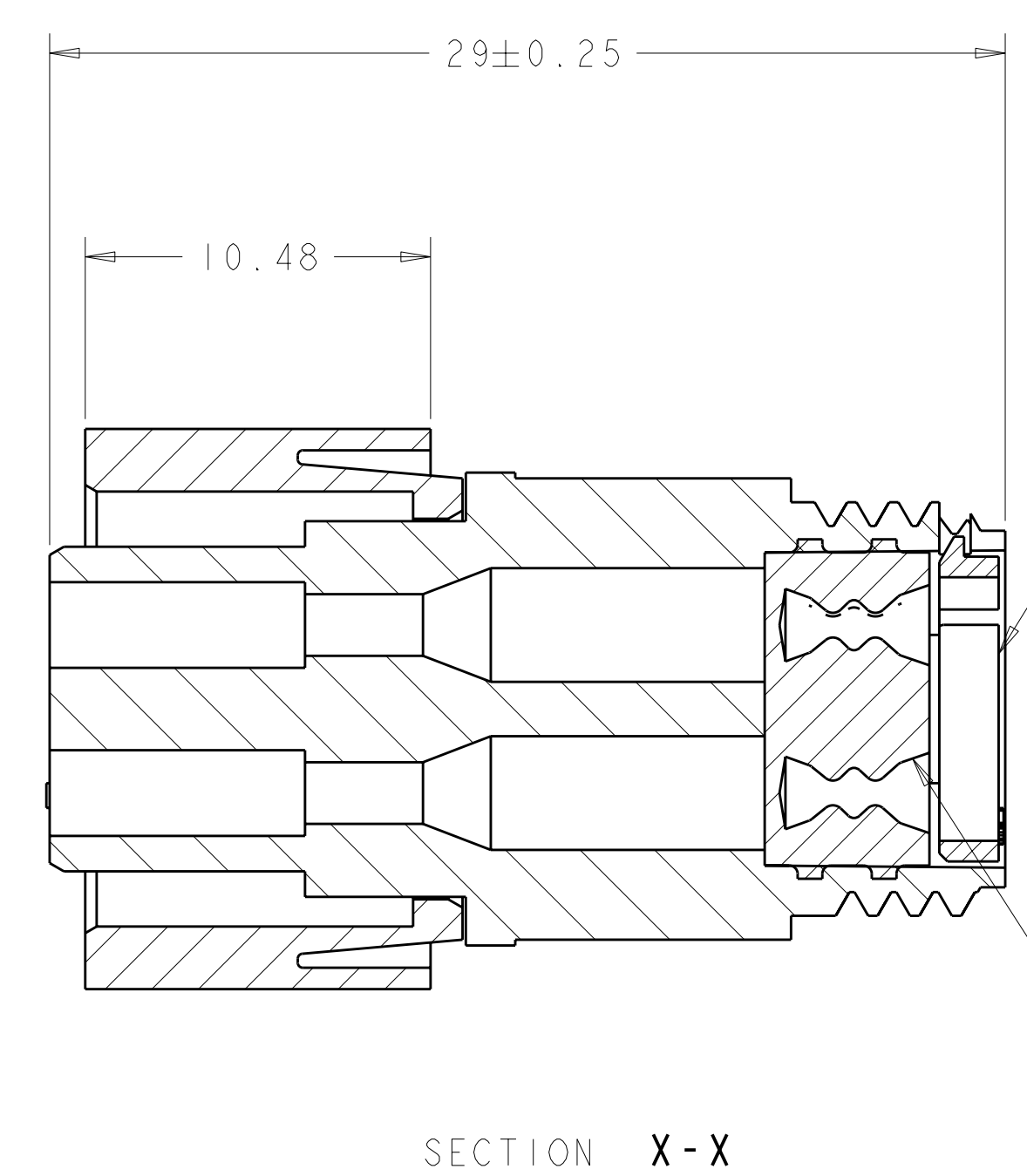
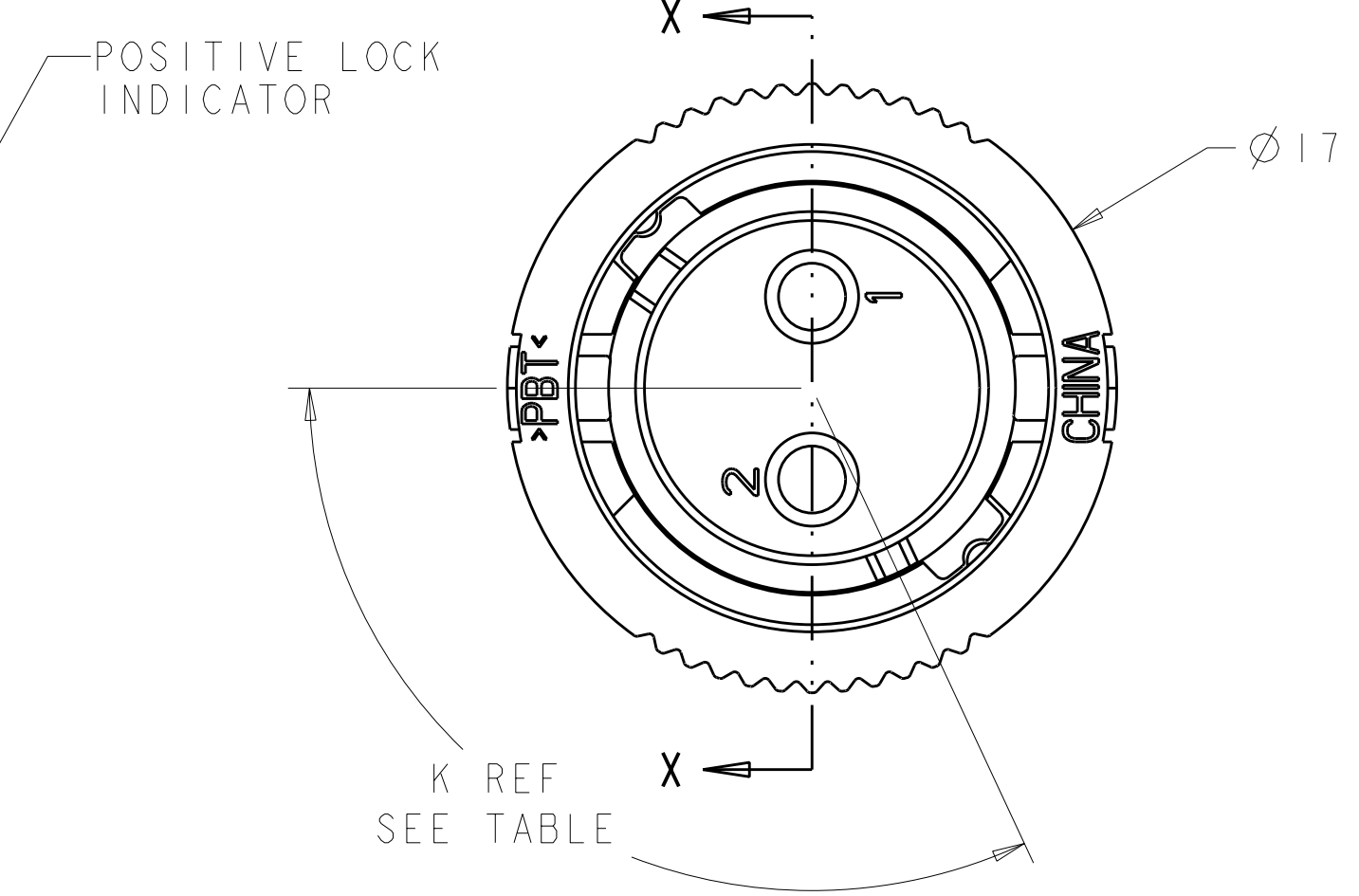
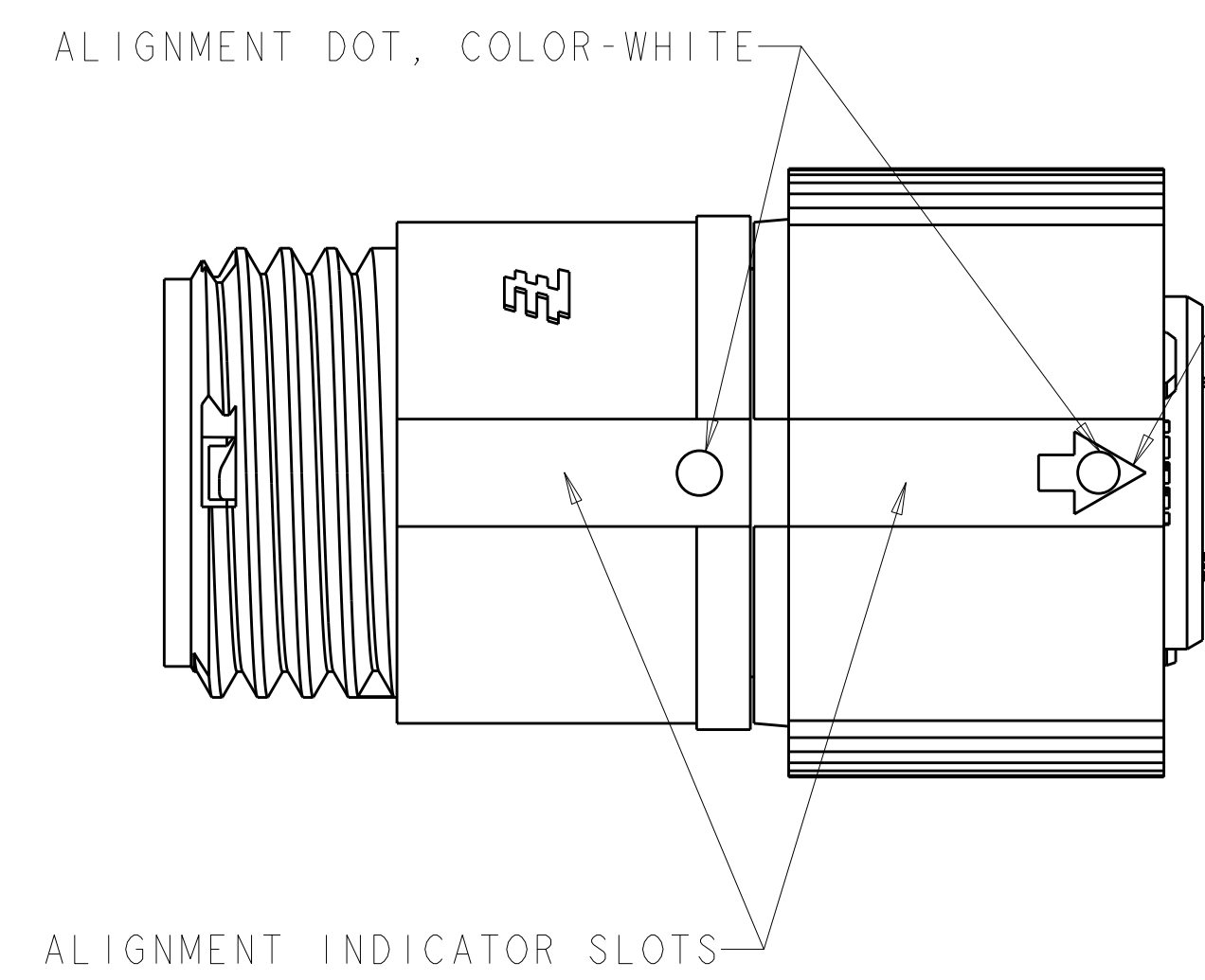
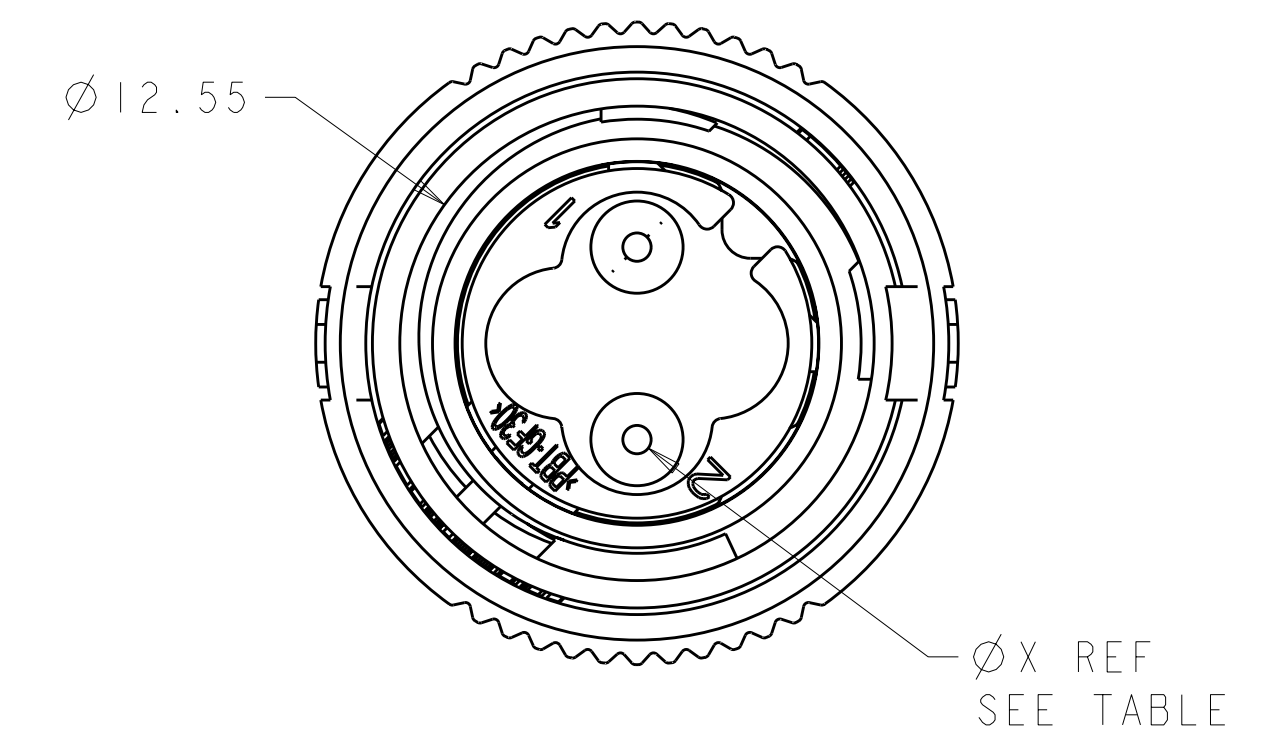


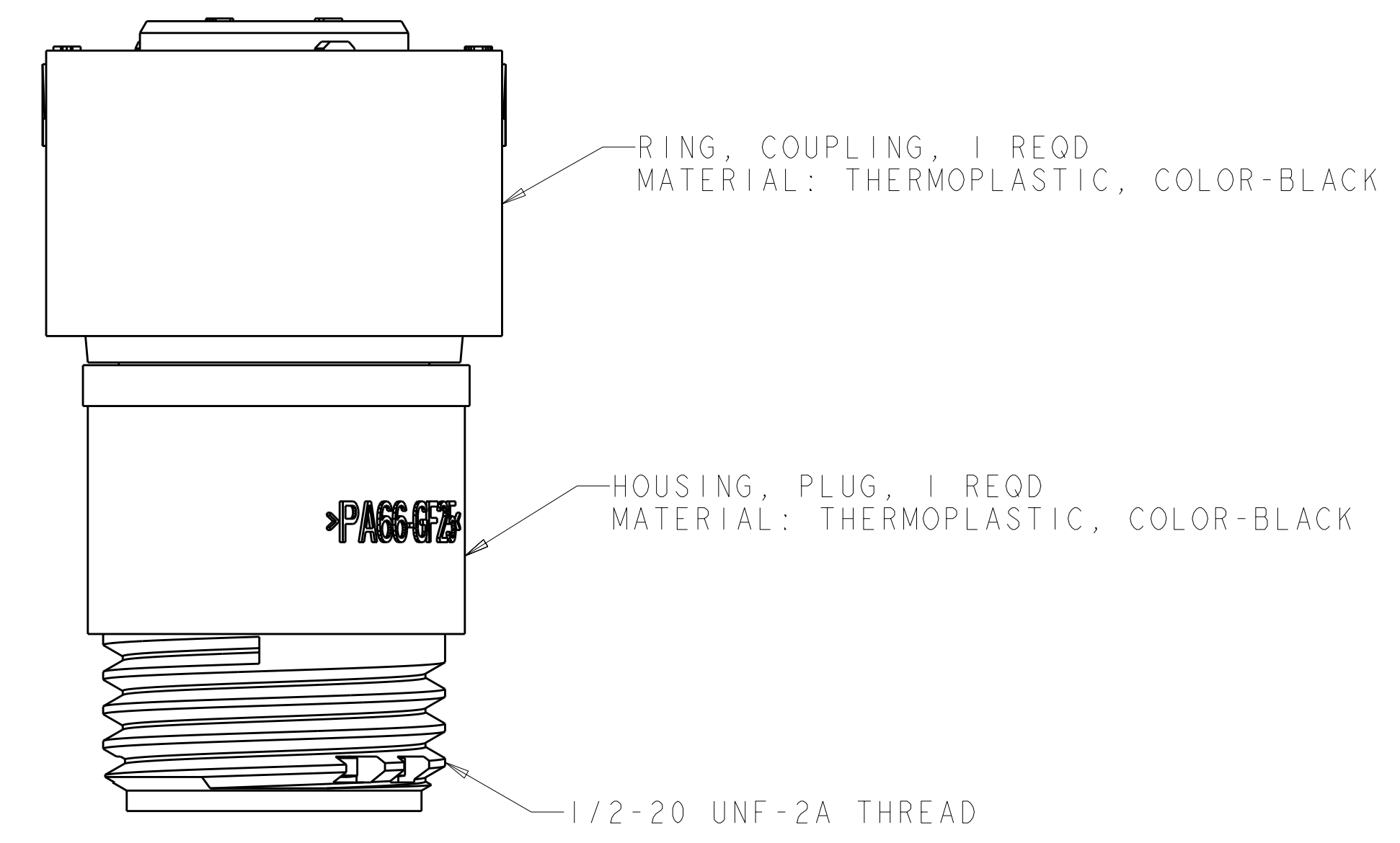
LOC	DIST	REV	DATE	BY	CHK	APPV
FT	0	B2	18MAR2011	RK	HMR	



RETAINER, SEAL, 1 REQD.  
 MATERIAL: THERMOPLASTIC, COLOR-BLACK



SEAL, WIRE ENTRY, 1 REQD  
 MATERIAL: ELASTOMER, COLOR-SEE TABLE



**QUALIFICATION TEST PENDING**

YELLOW	Ø 0.75	130°	1445535-04
NATURAL	Ø 1.5	115°	1445535-03
NATURAL	Ø 1.5	130°	1445535-02
YELLOW	Ø 0.75	115°	1445535-01
SEAL, WIRE ENTRY COLOR	Ø X REF	K REF	PART NUMBER

THIS DRAWING IS A CONTROLLED DOCUMENT.

DIMENSIONS: mm  
 TOLERANCES UNLESS OTHERWISE SPECIFIED:  
 0 PLC ±  
 1 PLC ±0.5  
 2 PLC ±0.13  
 3 PLC ±0.013  
 4 PLC ±0.001  
 ANGLES ±  
 FINISH SEE CALLOUT

DWG: S. WIEST 07MAY2001  
 CHK: G. DOUITY 07MAY2001  
 APVD: H. WAKEEM 12JUN2003

**STE** TE Connectivity  
 NAME: ASSEMBLY, PLUG, SIZE 8, 2 POSITION, SEALED, MINI CPC  
 SIZE: CAGE CODE DRAWING NO: A100779 C=1445535  
 RESTRICTED TO: -  
 MATERIAL: SEE CALLOUT  
 WEIGHT: -  
 CUSTOMER DRAWING

SCALE: 5:1 SHEET 1 OF 1 REV: B2