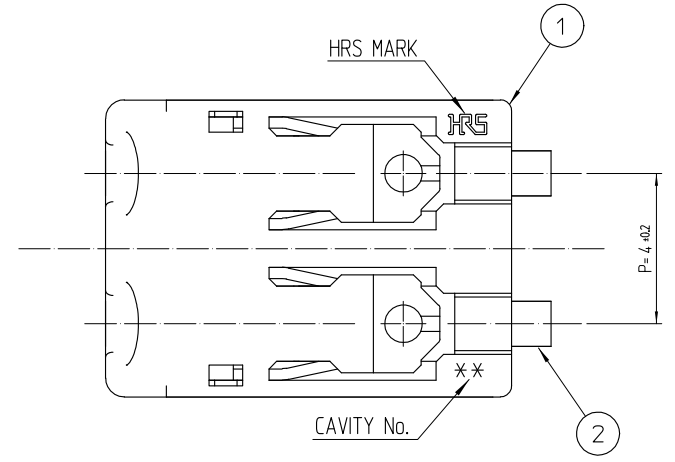
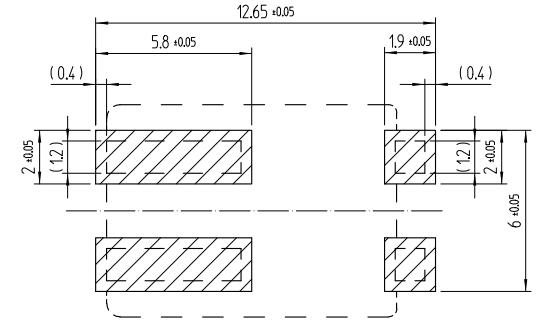


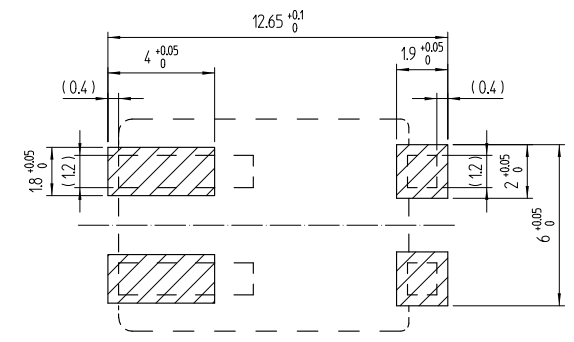
△數 COUNT	訂正事項 DESCRIPTION OF REVISIONS	擔當 B	檢圖 CHKD	年月日 DATE	△數 COUNT	訂正事項 DESCRIPTION OF REVISIONS	擔當 B	檢圖 CHKD	年月日 DATE
△					△				
△					△				
△					△				



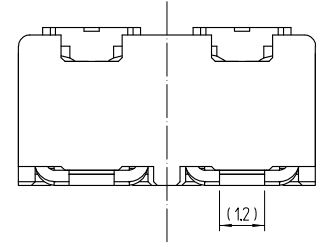
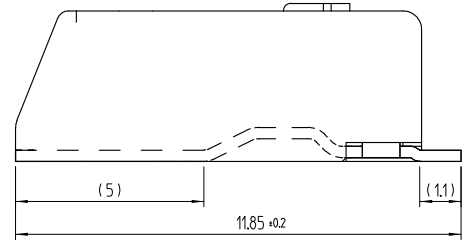
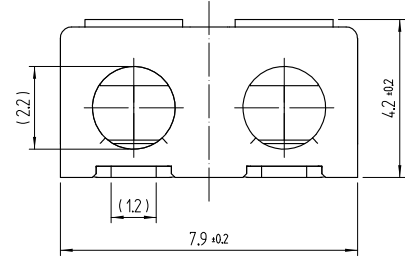
RECOMMENDED PCB LAYOUT
(MOUNTING SURFACE SIDE) (FREE)



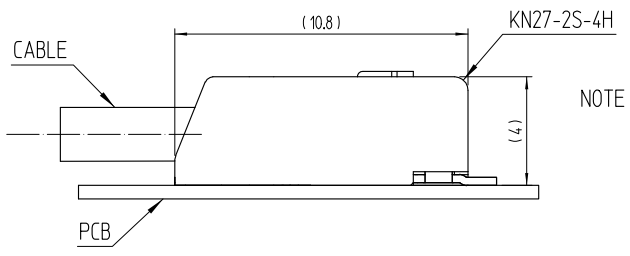
RECOMMENDED METAL MASK (FREE)
THICKNESS : 0.12mm



DRAWING FOR REFERENCE



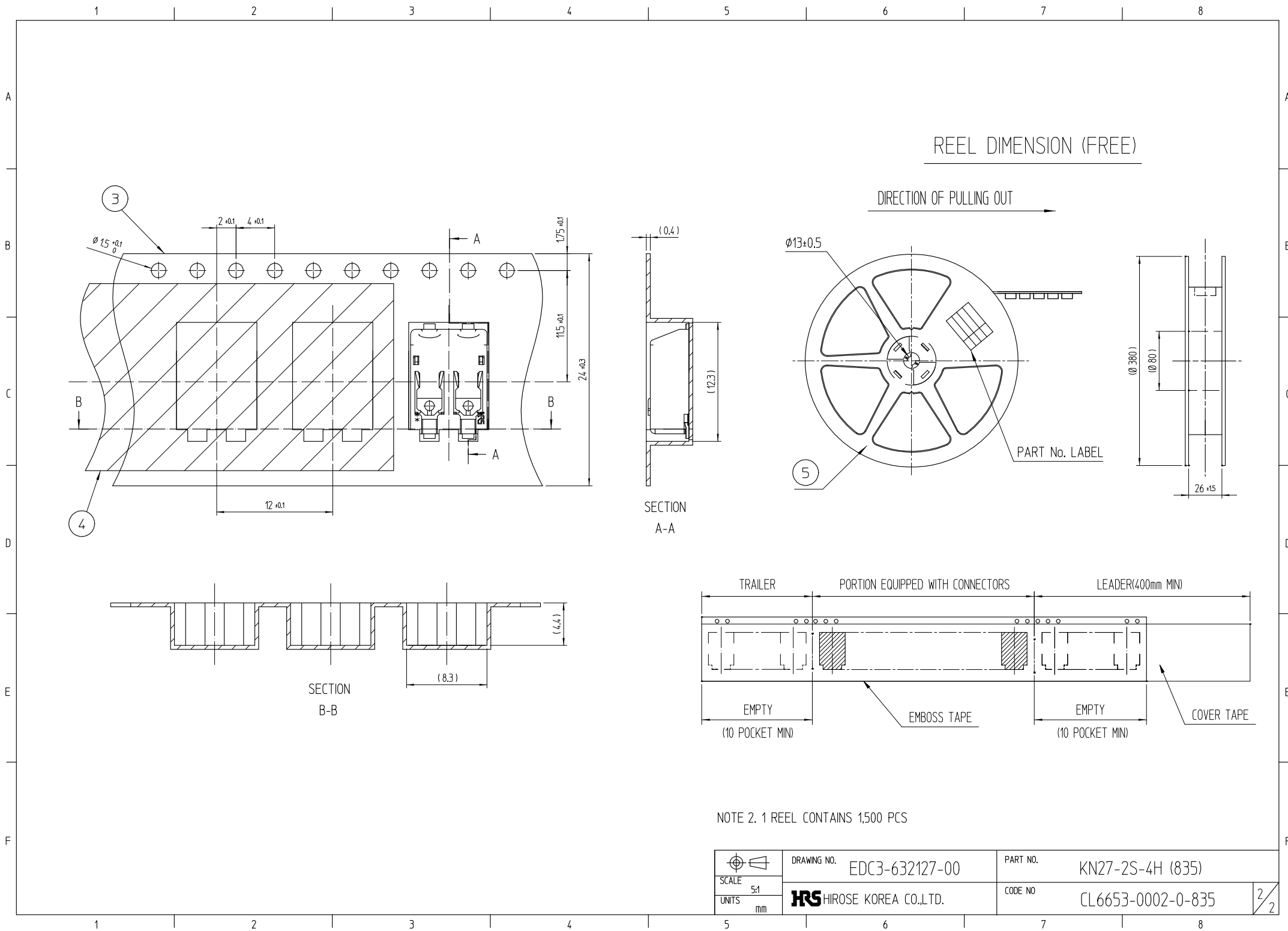
MATING FIGURE (FREE)



NOTE 1. LEAD CO-PLANARITY SHALL BE 0.1mm MAX
2. UL(File No. E132750) AUTHORIZATION ARTICLE.
C-UL(File No. E132750) AUTHORIZATION ARTICLE.



3	PS	EMBOSS CARRIER TAPE					
2	COPPER ALLOY	SnP	5	PS	REEL		
1	LCP	UL94-V0, NATURAL	4	PET	COVER TAPE		
NO.	MATERIAL	FINISH, REMARKS	NO.	MATERIAL	FINISH, REMARKS		
CODE NO. (OLD)			DRAWN	DESIGNED	CHECKED	APPROVED	RELEASED
			S.H.GU	S.H.GU	Y.SHA	T.S.KANG	ENG 16.07.13 DEPT
			15.05.08	15.05.08	15.05.08	15.05.09	
DRAWING NO.		PART NO.					
EDC3-632127-00		KN27-2S-4H (835)					
SCALE		CODE NO					
5x1		CL6653-0002-0-835					
UNITS							
mm							



REEL DIMENSION (FREE)

DIRECTION OF PULLING OUT

SECTION A-A

SECTION B-B

NOTE 2. 1 REEL CONTAINS 1,500 PCS

	DRAWING NO.	EDC3-632127-00	PART NO.	KN27-2S-4H (835)
	SCALE	5:1	CODE NO	CL6653-0002-0-835
UNITS	mm	HIROSE KOREA CO.,LTD.		2/2