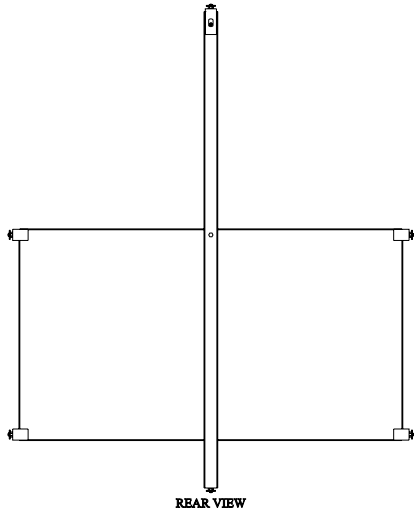
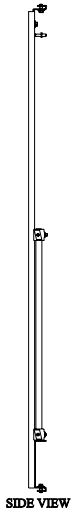


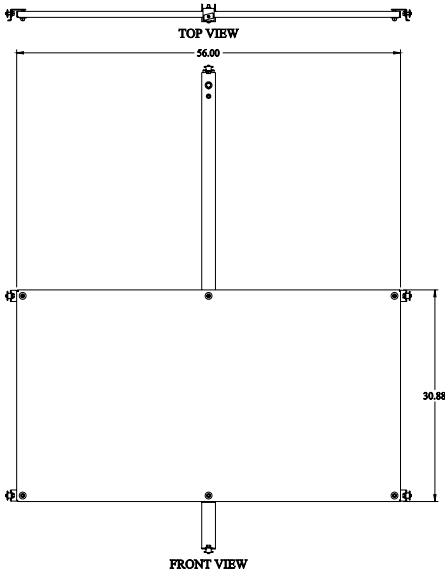
 **PART No. 72ZXHW**
for more information visit
www.hammitg.com
Data subject to change without notice
Isometric drawing Not to Scale



REAR VIEW

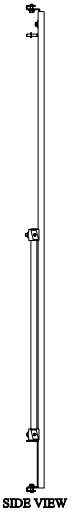


SIDE VIEW



TOP VIEW

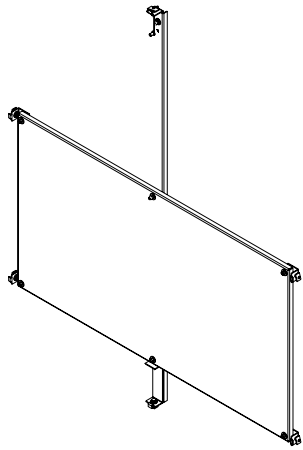
FRONT VIEW



SIDE VIEW



BOTTOM VIEW



ISOMETRIC VIEW