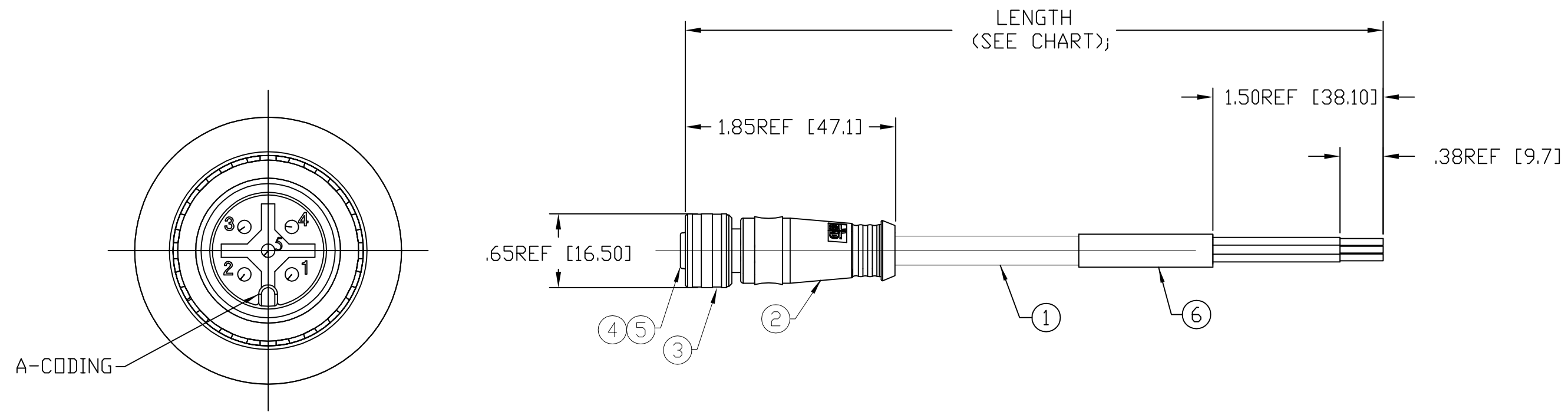
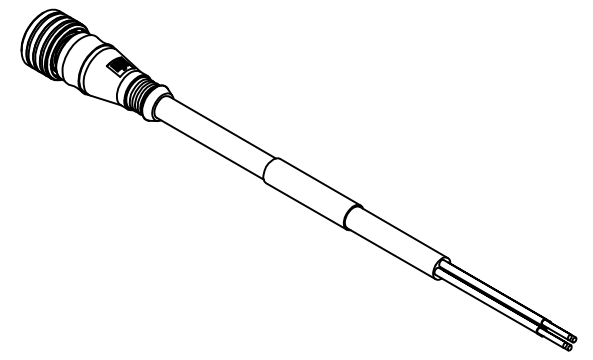


PART NUMBER	ENGINEERING NO.	LENGTH
1200790109	W05000A09M020	6' 6" +3.5" - 0 [2M +90MM - 0]
1200790096	W05000A09M040	13' 1" +6" - 0 [4M +150MM - 0]
1200790095	W05000A09M050	16' 4" +6" - 0 [5M +150MM - 0]
1200790094	W05000A09M060	19' 7" +6" - 0 [6M +150MM - 0]
1200790093	W05000A09M100	32' 4" +12" - 0 [10M +300MM - 0]



P1	Color
1	BROWN
2	WHITE
3	BLUE
4	BLACK
5	GRAY

WIRING DIAGRAM

- NOTES:
- 1) MATERIAL: SEE TABLE
 - 2) FINISHES: SEE TABLE
 - 3) WRAP LABEL IS MARKED WITH P/N, DATE CODE, VOLTAGE & AMPERAGE.
 - 4) MATES WITH: MICRO CHANGE, 5 POLE RECEPTACLE
 - 5) ELECTRICAL DATA:
 INLINE CORDSET
 FEMALE A-CODING WITH FLYING LEADS
 22AWG UNSHIELDED
 POLES: 5
 MAX. VOLTAGE: 250V
 MAX. CURRENT 4A
 CONTACT RESISTANCE: <5M Ohm
 PROTECTION IP67/68/69K
 TEMPERATURE RANGE: -25°C TO 90°C
 - 6) PACKAGING:
 CABLE ASSEMBLIES ARE BAGGED SEPERATELY
 IN POLY BAGS WITH BAR CODE LABEL ATTACHED
 TO OUTSIDE OF BAG.
 - 7) ASSEMBLY IS RoHS COMPLIANT.
 - 8) CERTIFICATION
 cCSAus

ITEM	QTY.	DESCRIPTION	MATERIAL	FINISH
6	1	LABEL	PLASTIC FILM	BLACK/YELLOW
5	5	SOCKET CONTACT	COPPER ALLOY	GOLD PLATED
4	1	INSERT	PUR	BLACK
3	1	COUPLING NUT	BRASS	NICKEL PLATED
2	1	OVERMOLD	PUR	YELLOW
1	1	CABLE, 22AWG-5	PVC JACKET	YELLOW

RELEASE EC NO: WEU2010-0003 DRWN: TWOLDEGE 7/2/09 CH'KD: BWOODMAN APPR: JFMURPHY 2009/07/20	DESCRIPTION A	QUALITY SYMBOL	GENERAL TOLERANCES (UNLESS SPECIFIED)	DIMENSION STYLE	SCALE	DESIGN UNITS	THIRD ANGLE PROJECTION															
		$\nabla=0$ $\sphericalangle=0$	<table border="1"> <tr> <th></th> <th>mm</th> <th>INCH</th> </tr> <tr> <td>4 PLACES</td> <td>±----</td> <td>±---</td> </tr> <tr> <td>3 PLACES</td> <td>±.005</td> <td>±.005</td> </tr> <tr> <td>2 PLACES</td> <td>±.013</td> <td>±.010</td> </tr> <tr> <td>1 PLACE</td> <td>±.025</td> <td>±.020</td> </tr> </table>		mm	INCH	4 PLACES	±----	±---	3 PLACES	±.005	±.005	2 PLACES	±.013	±.010	1 PLACE	±.025	±.020	IN/MM	1:1	INCH	
			mm	INCH																		
		4 PLACES	±----	±---																		
3 PLACES	±.005	±.005																				
2 PLACES	±.013	±.010																				
1 PLACE	±.025	±.020																				
	ANGULAR ±---°	<table border="1"> <tr> <td>DRAWN BY</td> <td>DATE</td> </tr> <tr> <td>TWOLDEGE</td> <td>2009/07/02</td> </tr> <tr> <td>CHECKED BY</td> <td>DATE</td> </tr> <tr> <td>BWOODMAN</td> <td>2009/07/02</td> </tr> <tr> <td>APPROVED BY</td> <td>DATE</td> </tr> <tr> <td>----</td> <td>----</td> </tr> </table>	DRAWN BY	DATE	TWOLDEGE	2009/07/02	CHECKED BY	DATE	BWOODMAN	2009/07/02	APPROVED BY	DATE	----	----	TITLE MICRO CHANGE ULTRA LOCK 5-P FEMALE STRAIGHT 22/5AWG PVC							
DRAWN BY	DATE																					
TWOLDEGE	2009/07/02																					
CHECKED BY	DATE																					
BWOODMAN	2009/07/02																					
APPROVED BY	DATE																					
----	----																					
	DRAFT WHERE APPLICABLE MUST REMAIN WITHIN DIMENSIONS		MATERIAL NO. SEE CHANRT		MOLEX INCORPORATED DOCUMENT NO. SD-120079-007		SHEET NO. 1 OF 1															

THIS DRAWING CONTAINS INFORMATION THAT IS PROPRIETARY TO MOLEX INCORPORATED AND SHOULD NOT BE USED WITHOUT WRITTEN PERMISSION