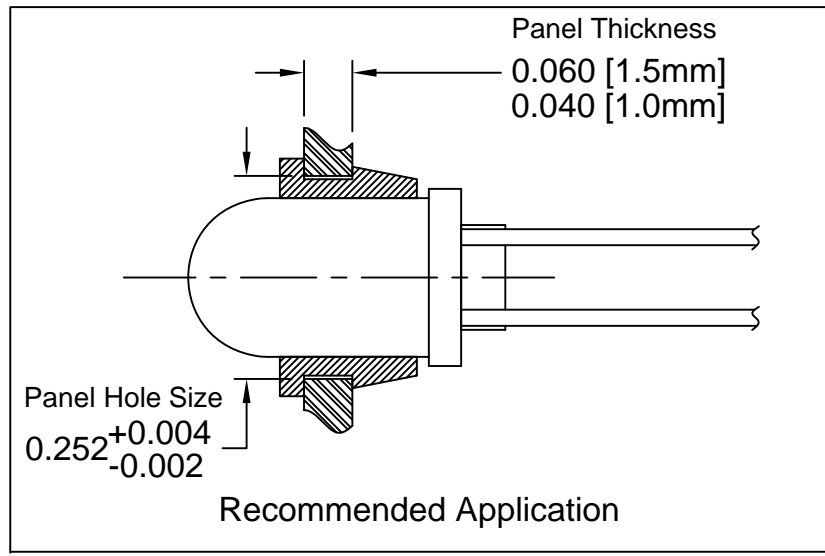
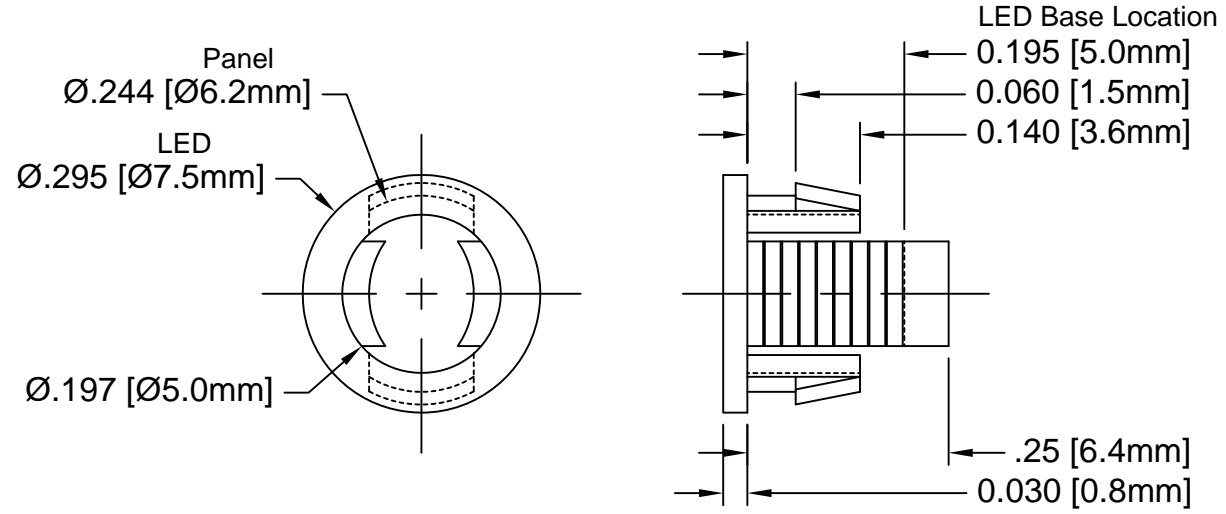


REV.	DESCRIPTION	DATE	APPROVED
C	Engineering Update w/o Changes	02/24/04	M. C.
D	Removed Material Code	05/28/16	J. C.



- 2. MATERIAL: NYLON 6/6, 94V-2, BLACK.
- 1. GENERAL SPECIFICATIONS: BIVAR MOLDED COMPONENT SPECIFICATION BV00-E101.

STANDARD TOLERANCE (UNLESS OTHERWISE SPECIFIED)		BIVAR [®] 4 THOMAS, IRVINE, CA. 92618 TEL: (949) 951-8808 FAX: (949) 951-3974	
DECIMALS	ANGULAR		
.X ± .1	X° ± 1°	TITLE: T-1¼ (5mm) LED SELF-RETAINING CLIP PART NO: C-105-SR REVISION: D	
.XX ± .01			
.XXX ± .005			
DESIGNED: S. Irving	DATE: 09/17/98	CAGE CODE : 32559 SHEET # 1 OF 1 <small>CAD GENERATED DOCUMENT. DO NOT MEASURE DRAWING.</small>	
CHECKED: M. Chen	DATE: 08/29/02		