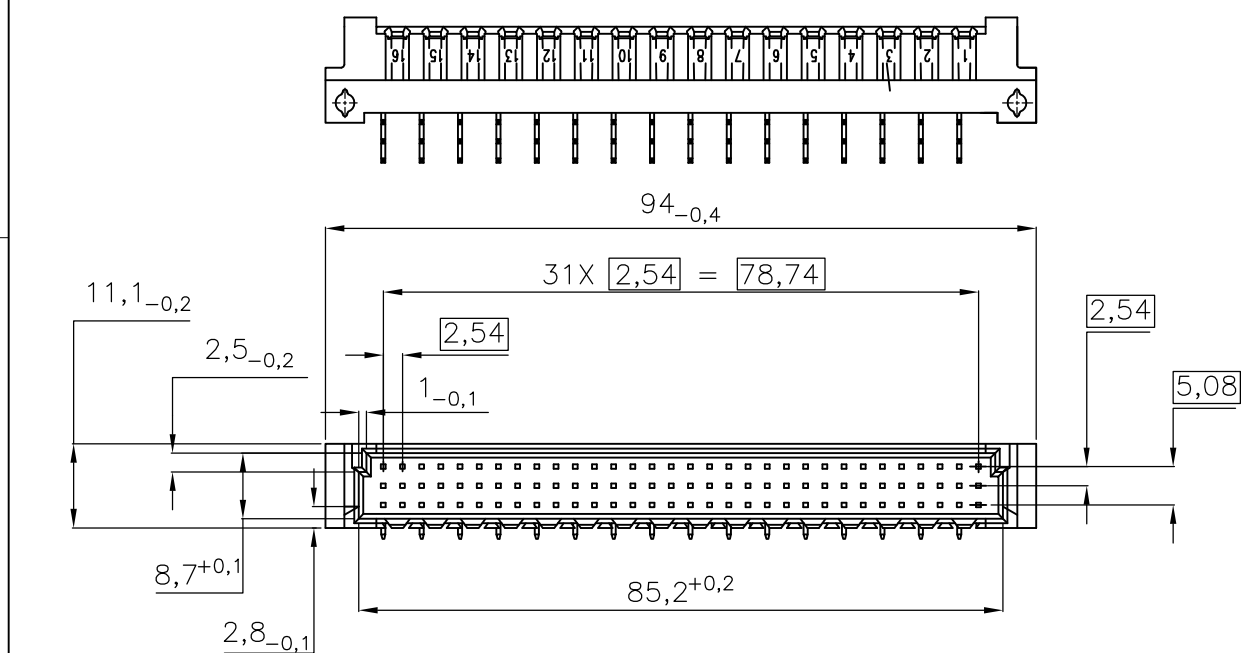
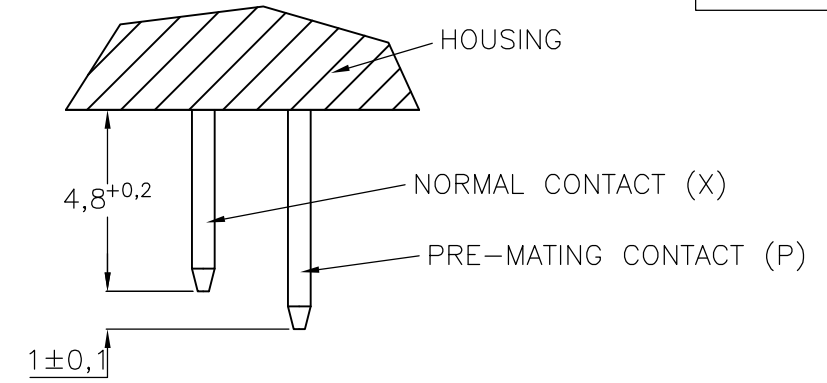


THIS DRAWING IS UNPUBLISHED. RELEASED FOR PUBLICATION  
 © COPYRIGHT - By - ALL RIGHTS RESERVED.

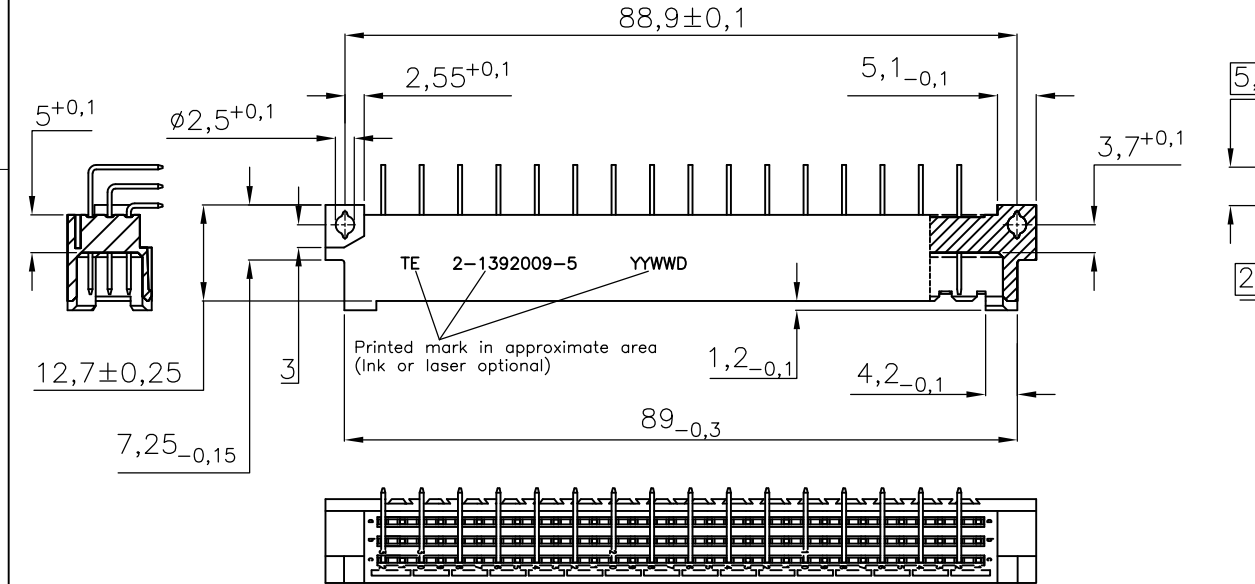
REVISIONS				
P	LTR	DESCRIPTION	DATE	DWN APVD
C		REVISED PER ECO-17-002173	09MAR2017	SY SY
			TE PN	OLD NUMBER
			2-1392009-5	V42254-B7291-C498



CONTACT LENGTHS (5:1)



ACTIVE PART NUMBERS. CONTACT  
 TYCO ELECTRONICS FOR  
 OTHER CONFIGURATION AVAILABILITY



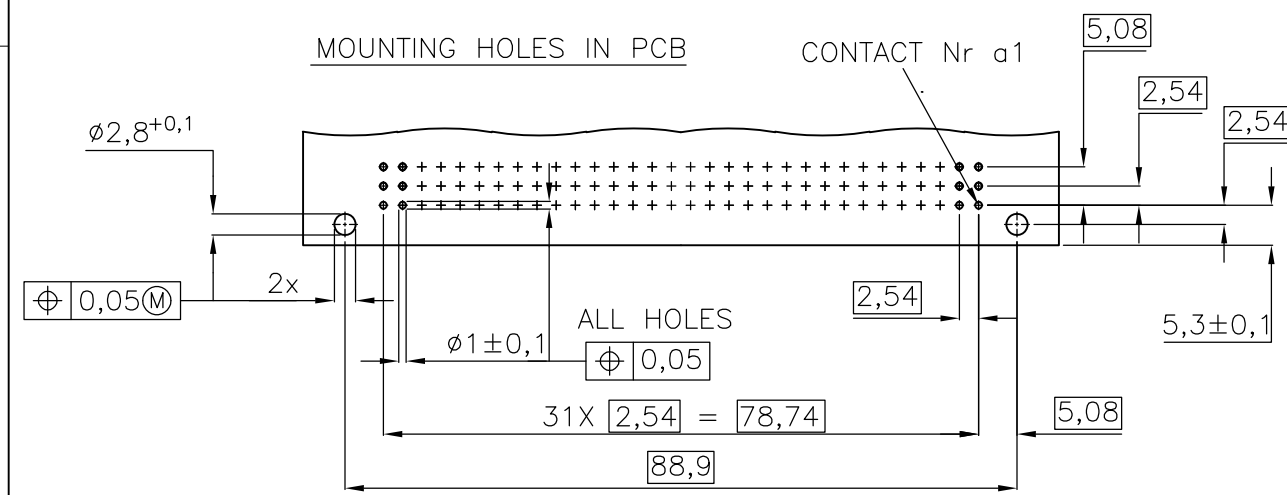
CONTACT ASSIGNMENT (48 PINS)

	1																2																3																			
ROW A:	0	P	0	X	0	X	0	X	0	X	0	X	0	X	0	X	0	X	0	X	0	X	0	X	0	X	0	X	0	X	0	X	0	X	0	X	0	X	0	X	0	X	0	X	0	X	0	X	0	X		
ROW B:	0	X	0	X	0	X	0	X	0	X	0	X	0	X	0	X	0	X	0	X	0	X	0	X	0	X	0	X	0	X	0	X	0	X	0	X	0	X	0	X	0	X	0	X	0	X	0	X	0	X	0	X
ROW C:	0	X	0	X	0	X	0	X	0	X	0	X	0	X	0	X	0	P	0	X	0	X	0	X	0	X	0	X	0	X	0	X	0	X	0	X	0	X	0	X	0	X	0	X	0	X	0	X	0	X	0	X

O = NO CONTACT  
 X = CONTACT  
 P = PRE-MATING CONTACT

ALL DIMENSIONS ARE IN MM

HOUSING MATERIAL: PBT 30% GLASSFILLED (UL94V-0), GREY  
 CONTACT MATERIAL: COPPER ALLOY  
 PLATING : - CONTACT AREA: Pd+Au OR Au  
 PERF. LEVEL 2 ACC. IEC 603-2  
 - TERMINATION: Sn



THIS DRAWING IS A CONTROLLED DOCUMENT.

DIMENSIONS: mm	TOLERANCES UNLESS OTHERWISE SPECIFIED:
	0 PLC ± -
	1 PLC ± -
	2 PLC ± -
	3 PLC ± -
	4 PLC ± -
	ANGLES ± -
MATERIAL	FINISH
-	-

DWN	12MAR09
GNANI JADAV A E	
CHK	17MAR09
M.KOMAR	
APVD	17MAR09
M.WESTEN	
PRODUCT SPEC	
APPLICATION SPEC	
WEIGHT	0.000000

<b>STE</b> TE Connectivity		EUROCARD PIN ASSEMBLY TYPE C WITH CODING AND PRECENTERING	
SIZE	CAGE CODE	DRAWING NO	RESTRICTED TO
A3	00779	C-2-1392009-5	-
CUSTOMER DRAWING		SCALE	SHEET
		NTS	1 OF 1
		REV	C