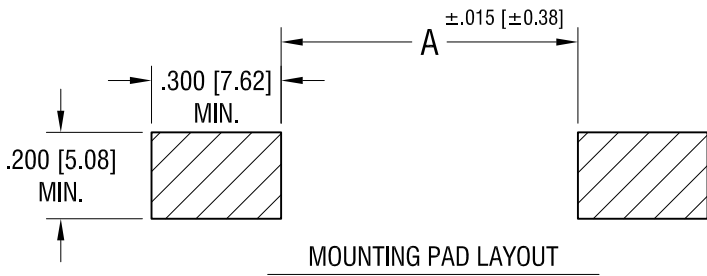
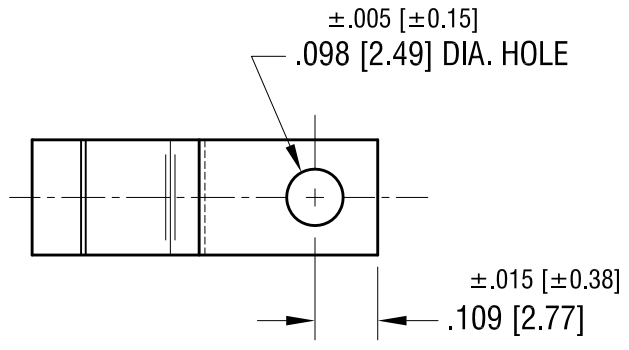
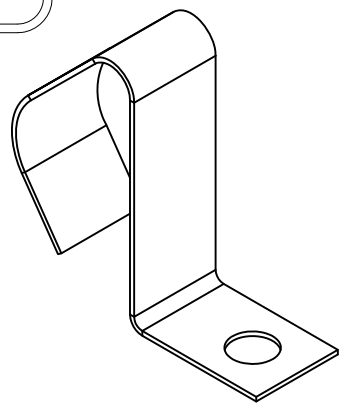
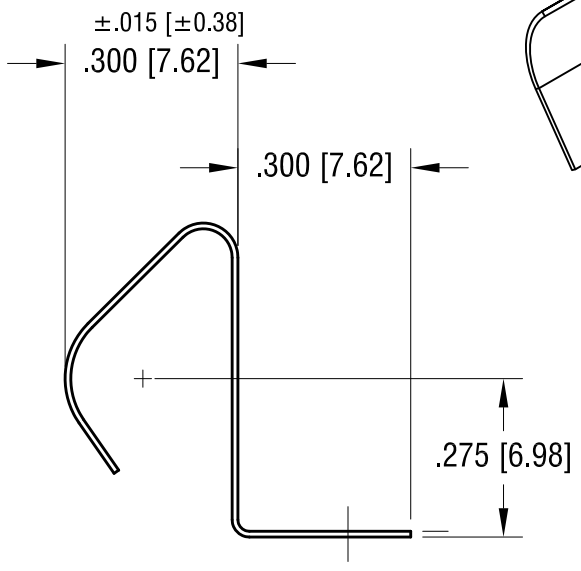
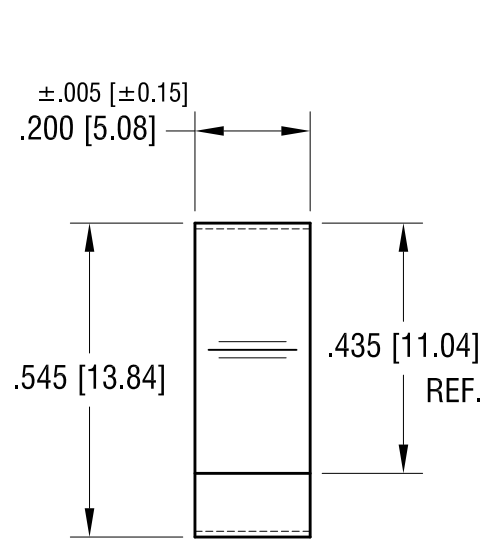


THIS DOCUMENT IS THE PROPERTY OF KEYSTONE ELECTRONICS CORP. AND SHALL NOT BE REPRODUCED, DISTRIBUTED OR USED AS A BASIS FOR MANUFACTURE WITHOUT PRIOR WRITTEN PERMISSION FROM KEYSTONE ELECTRONICS CORP.



FOR BATTERY SIZE:	'A' DIM.
A	2.170 [55.12]
AA	2.380 [60.45]

MOUNTING PAD LAYOUT



NOTE:  
1. HEAT TREAT TO SPRING TEMPER.

<b>KEYSTONE ELECTRONICS CORP.</b>			
www.keyelco.com • ASTORIA, N.Y. 11105-2017 • Tel (718) 956-8900			
PART NAME <b>BATTERY CONTACT, SURFACE MOUNT</b>			
MATERIAL <b>.010 [.25] TH'K ANNEALED SPRING STEEL</b>			
FINISH <b>MATTE TIN PLATE</b>		DRN BY <b>NT</b>	DATE <b>7.29.09</b>
		APP'D <b>LN</b>	SCALE <b>3X</b>
TOLERANCES	INCH [MM]	CODE	DWG NO.
DECIMAL	<b>± .010 [± 0.25]</b>	<b>C</b>	<b>5331</b>
ANGULAR	<b>± 1°</b>		
UNLESS OTHERWISE SPECIFIED			

DATE	DESCRIPTION	REV.