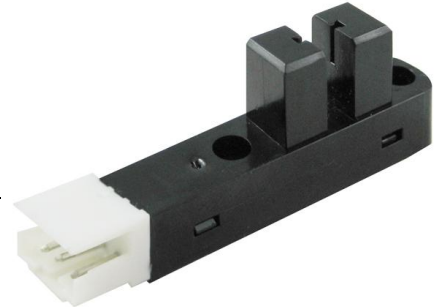


HOA7720/7730 Series

Connectorized Transmissive Optoschmitt Sensor



DESCRIPTION

The HOA7720/7730 Series consists of an infrared emitting diode facing an Optoschmitt detector encased in a black thermoplastic housing. The photodetector consists of a photodiode, amplifier, voltage regulator and Schmitt trigger with either of two output configurations:

- Totem pole (HOA7720-M11)
- Open collector (HOA7730-M11)

The totem pole output is well-suited for applications which require fast transition times. The open collector allows the output of the sensor to interface with circuit elements driven by supply voltages other than Vcc supply.

The inverting logic provides a high output when the optical path is interrupted, and a low output when the path is clear.

FEATURES AND BENEFITS

- Direct TTL interface
- No interface circuits required
- Inverting logic
- Two output options
- High resolution
- 3.00 mm [0.118] slot width
- Integral 3-pin connector

The infrared emitting diode is biased internally, eliminating the need for any external circuitry. Interconnection is simplified through the use of the integral Tyco three-pin connector.

Both the emitter and detector have a 0.508 mm x 1,78 mm [0.020 in x 0,070 in] vertical aperture. The narrow aperture is ideal for use in applications in which the maximum rejection of ambient light is important, and the maximum position resolution is desired.

The HOA7220/7330 series employ plastic molded components. Housing material is opaque polycarbonate. Housings are soluble in chlorinated hydrocarbons and ketones. Recommended cleaning agents are methanol and isopropanol.

POTENTIAL APPLICATIONS

Industrial:

- Flag presence/absence detection
- Edge detection
- Rotary/linear encoders

Medical:

- Edge sensing for labels and paper
- Needle presence/absence detection
- End of motion/travel sensing
- Rotary/linear encoders

HOA7720/7730 Series

Table 1. HOA7720-M11 and HOA7730-M11 Absolute Maximum Ratings (At 25 °C [77 °F] free air temperature unless otherwise noted.)

Characteristic	Parameter
Operating temperature range	-40 °C to 70 °C [-40 °F to 158 °F]
Storage temperature range	-40 °C to 85 °C [-40 °F to 185 °F]
Power dissipation	220 mW
Supply voltage	5.5 V
Supply current	40 mA
Low level output current	12.8 mA
Duration of output: short to Vcc or ground	1.0 s
Applied output voltage ¹	35 V

Notes:

1. Applies to HOA7730 only.

Table 2. HOA7720-M11 Electrical Characteristics (At 25 °C [77 °F] unless otherwise noted.)

Characteristic	Symbol	Min	Typ.	Max	Unit	Test Condition
Operating supply voltage ¹	V _{CC}	4.5	–	5.5	V	T _A = 25 °C
Supply current	I _{CC}	–	–	40	mA	V _{CC} = 5.5 V
Low level output voltage ²	V _{OL}	–	–	0.4	V	V _{CC} = 4.5 V, I _{OL} = 12.8 mA
High level output current ²	V _{OH}	2.4	–	–	V	V _{CC} = 4.5 V, I _{OH} = -800 µA
Short circuit output current	I _{OS}	-20	–	-100	mA	V _{CC} = 5.25 V, Output = GND
Hysteresis ³	HYST	–	50	–	%	–
Propagation delay, low-high, high-low	t _{PLH} , t _{PHL}	–	5	–	µs	V _{CC} = 5 V
Output rise time, output fall time	t _r , t _f	–	70	–	ns	RL = 8 TTL loads

Notes:

1. Add a bypass capacitor, 0.1 µF typ., between Vcc and GND near the device in order to stabilize power supply line.
2. Output is HI when the optical path is interrupted.
3. Hysteresis is defined as the difference between the operating and release threshold intensities and is expressed as a percentage of the operate threshold intensity.

Table 3. HOA7730-M11 Electrical Characteristics (At 25 °C [77 °F] unless otherwise noted.)

Characteristic	Symbol	Min	Typ.	Max	Unit	Test Condition
Operating supply voltage ¹	V _{CC}	4.5	–	5.5	V	T _A = 25 °C
Supply current	I _{CC}	–	–	40	mA	V _{CC} = 5.5 V
Low level output voltage ²	V _{OL}	–	–	0.4	V	V _{CC} = 4.5 V, I _{OL} = 12.8 mA
High level output current ²	I _{OH}	–	–	100	µA	V _{CC} = 4.5 V, V _{OH} = 28 V
Hysteresis ³	HYST	–	50	–	%	–
Propagation delay, low-high, high-low	t _{PLH} , t _{PHL}	–	5	–	µs	V _{CC} = 5 V
Output rise time, output fall time	t _r , t _f	–	70	–	ns	RL = 390 Ω

Notes:

1. Add a bypass capacitor, 0.1 µF typ., between Vcc and GND near the device in order to stabilize power supply line.
2. Output is HI when the optical path is interrupted.
3. Hysteresis is defined as the difference between the operating and release threshold intensities. Expressed as a percentage of the operate threshold intensity.

Connectorized Transmissive Optoschmitt Sensor

Performance Graphics (typical values)

Figure 1. Inverter, Totem Pole

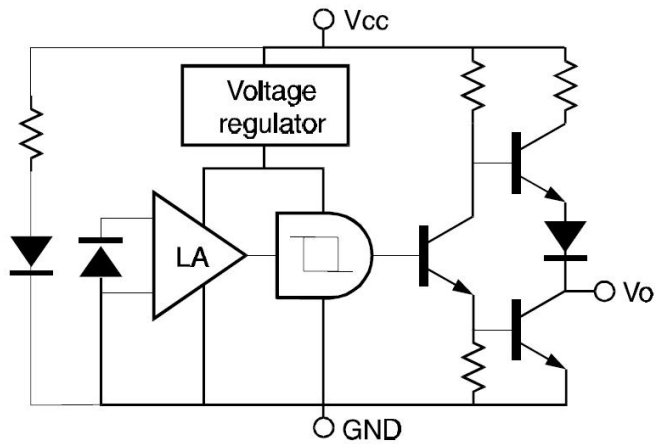


Figure 2. Inverter, Open Collector

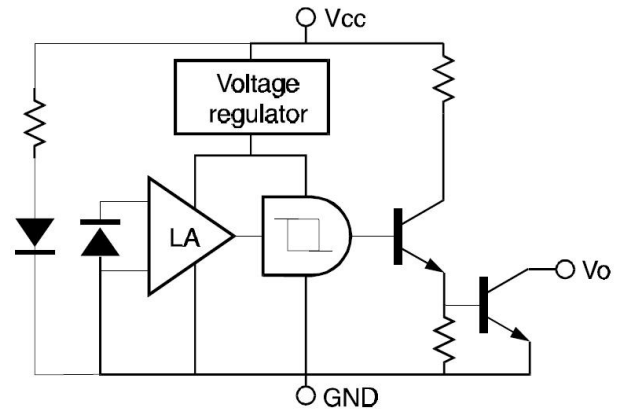


Figure 3. Output Rise Time and Output Fall Time vs Temperature

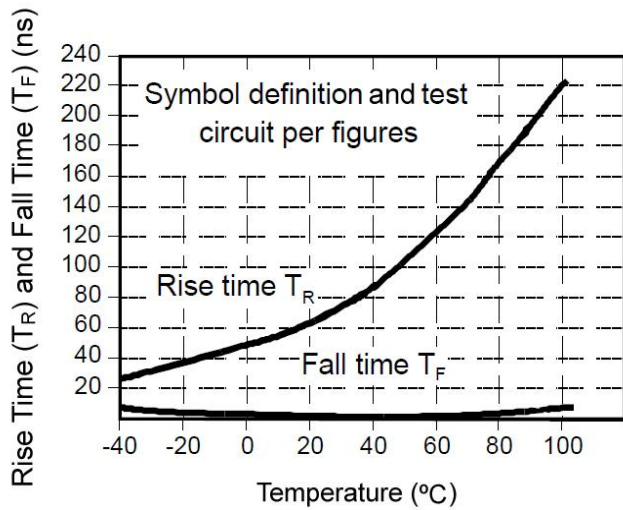


Figure 4. Delay Time vs Temperature

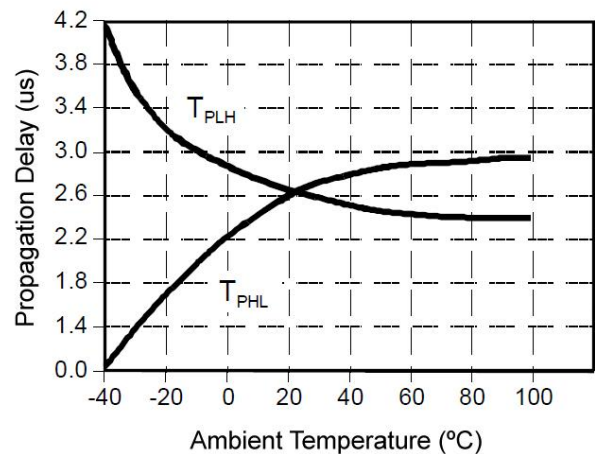


Figure 5. Switching Waveform for Inverters

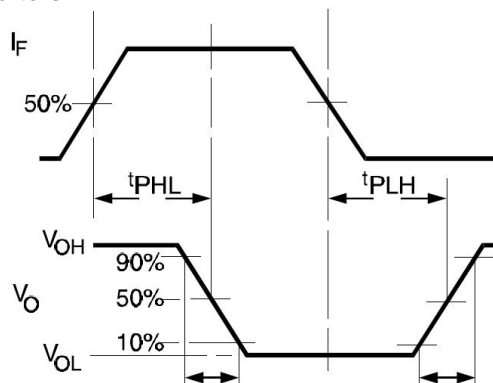
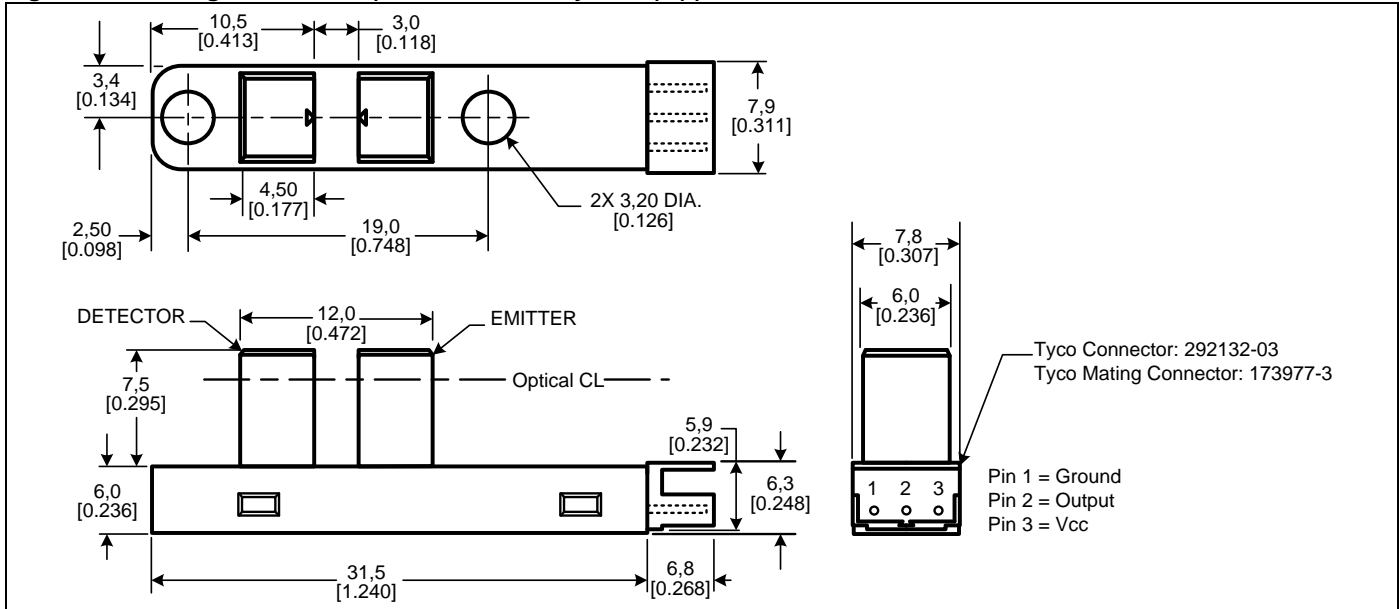


Figure 6. Mounting Dimensions (For reference only: mm (in).)



Order Guide

Catalog Listing	Description
HOA7720-M11	Transmissive Optoschmitt sensor, totem pole output
HOA7730-M11	Transmissive Optoschmitt sensor, open collector output

⚠ WARNING
PERSONAL INJURY
 DO NOT USE these products as safety or emergency stop devices or in any other application where failure of the product could result in personal injury. **Failure to comply with these instructions could result in death or serious injury.**

WARRANTY/REMEDY
 Honeywell warrants goods of its manufacture as being free of defective materials and faulty workmanship. Honeywell's standard product warranty applies unless agreed to otherwise by Honeywell in writing; please refer to your order acknowledgement or consult your local sales office for specific warranty details. If warranted goods are returned to Honeywell during the period of coverage, Honeywell will repair or replace, at its option, without charge those items it finds defective. **The foregoing is buyer's sole remedy and is in lieu of all other warranties, expressed or implied, including those of merchantability and fitness for a particular purpose. In no event shall Honeywell be liable for consequential, special, or indirect damages.**

While we provide application assistance personally, through our literature and the Honeywell web site, it is up to the customer to determine the suitability of the product in the application.

Specifications may change without notice. The information we supply is believed to be accurate and reliable as of this printing. However, we assume no responsibility for its use.

Sensing and Control
 Honeywell
 1985 Douglas Drive North
 Golden Valley, MN 55422
www.honeywell.com/sensing

006496-1-EN
 November 2011
 © 2011 Honeywell International Inc. All rights reserved.

⚠ WARNING
MISUSE OF DOCUMENTATION

- The information presented in this product sheet is for reference only. Do not use this document as a product installation guide.
- Complete installation, operation, and maintenance information is provided in the instructions supplied with each product.

Failure to comply with these instructions could result in death or serious injury.

SALES AND SERVICE
 Honeywell serves its customers through a worldwide network of sales offices, representatives and distributors. For application assistance, current specifications, pricing or name of the nearest Authorized Distributor, contact your local sales office or:

E-mail: info.sc@honeywell.com
Internet: www.honeywell.com/sensing
Phone and Fax:
 Asia Pacific +65 6355-2828
 +65 6445-3033 Fax
 Europe +44 (0) 1698 481481
 +44 (0) 1698 481676 Fax
 Latin America +1-305-805-8188
 +1-305-883-8257 Fax
 USA/Canada +1-800-537-6945
 +1-815-235-6847
 +1-815-235-6545 Fax

