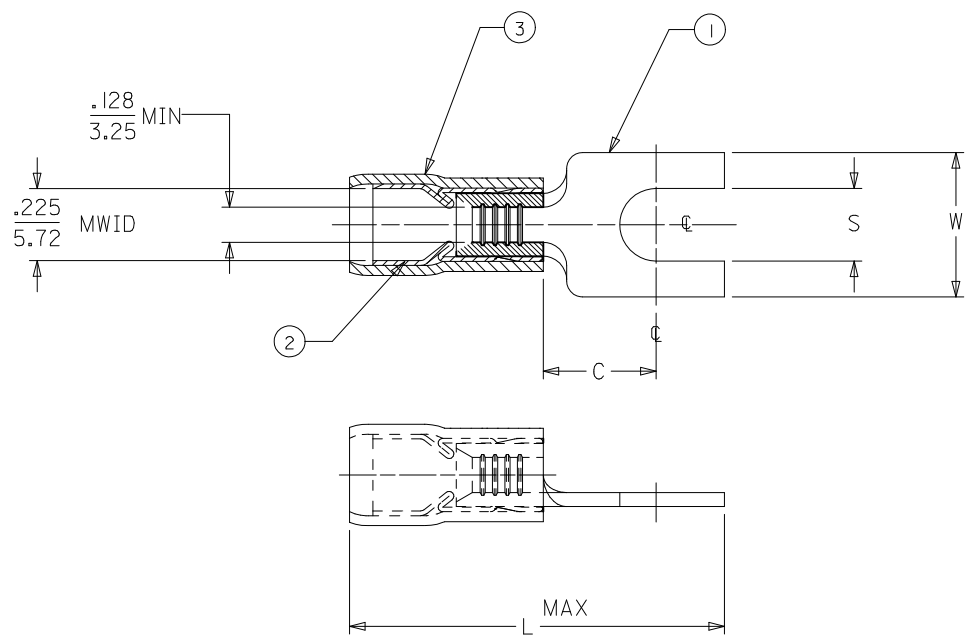
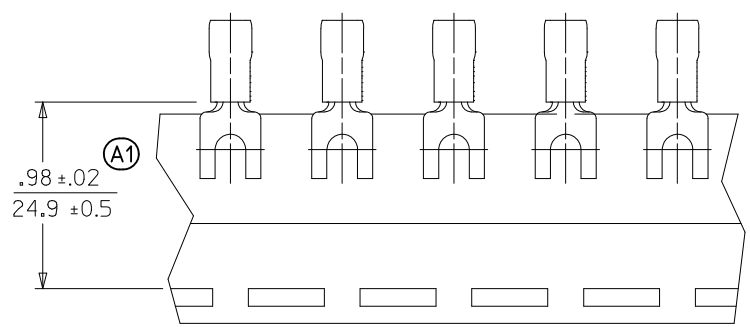


| MATERIAL NUMBER | ALTERNATE NUMBER | "L" MAX | STUD SIZE | "S" | (A1) "W" ±.010/0.25 | "C" MIN | PACKAGING |
|-----------------|------------------|---------------|-----------|-------------|---------------------|-------------|--------------|
| 191980039 | C-8105-06 | 1.090 (27.69) | 6 | .146 (3.71) | .320 (8.13) | .305 (7.75) | LOOSE PIECE |
| 191390060 | C-8105-08 | 1.090 (27.69) | 8 | .173 (4.39) | .320 (8.13) | .305 (7.75) | |
| 191390061 | C-8105-10 | 1.090 (27.69) | 10 | .198 (5.03) | .320 (8.13) | .305 (7.75) | |
| 191980037 | C-8102-06 | 1.090 (27.69) | 6 | .146 (3.71) | .415 (10.41) | .305 (7.75) | |
| 191390057 | C-8102-08 | 1.090 (27.69) | 8 | .173 (4.39) | .415 (10.41) | .305 (7.75) | |
| 191980038 | C-8102-10 | 1.090 (27.69) | 10 | .198 (5.03) | .415 (10.41) | .305 (7.75) | TAPE MOUNTED |
| 191980040 | C-8105-06T | 1.090 (27.69) | 6 | .146 (3.71) | .320 (8.13) | .305 (7.75) | |
| 191980042 | C-8105-08T | 1.090 (27.69) | 8 | .173 (4.39) | .320 (8.13) | .305 (7.75) | |
| 191980043 | C-8105-10T | 1.090 (27.69) | 10 | .198 (5.03) | .320 (8.13) | .305 (7.75) | |
| 191390058 | C-8102-08T | 1.090 (27.69) | 8 | .173 (4.39) | .415 (10.41) | .305 (7.75) | |



CUSTOMER DRAWING

- NOTES:
 1. MATERIAL: COPPER .040 THICK.
 PLATING: MATTE TIN
 2. FERRULE: TIN-PLATED BRASS
 3. INSULATION: YELLOW NYLON.
 4. MWID=MAXIMUM WIRE INSULATION DIA.
 5. PARTS ARE ROHS COMPLIANT.

(A1)

| | | | | | | | | |
|---|--|---|--|--|---|---------------------------|------------------------------|---------------------|
| CORRECT TOLERANCES EC NO: IPG2012-0575 DRAWN: THRODAHL 2012/04/16 CHKD: JMACNEIL 2012/04/16 APPR: JMACNEIL 2012/04/19 DESCRIPTION | QUALITY SYMBOLS ▽=0 ▽7=0 | GENERAL TOLERANCES (UNLESS SPECIFIED) mm INCH 4 PLACES ± --- ± --- 3 PLACES ± --- ± .005 2 PLACES ± 0.13 ± .01 1 PLACE ± 0.25 ± --- 0 PLACE ± ± | DIMENSION STYLE IN/MM DRAWN BY DATE EDB 2000/11/17 CHECKED BY DATE HEB 2000/11/17 APPROVED BY DATE | SCALE --- DESIGN UNITS INCH THIRD ANGLE PROJECTION | TITLE BLOCK SPADE TERMINAL AVIKRIMP -800 12-10 AWG molex | MATERIAL NO. SEE CHART | DOCUMENT NO. SD-19139-002 | SHEET NO. 1 OF 1 |
| | ANGULAR ± --- ° DRAFT WHERE APPLICABLE MUST REMAIN WITHIN DIMENSIONS | | THIS DRAWING CONTAINS INFORMATION THAT IS PROPRIETARY TO MOLEX INCORPORATED AND SHOULD NOT BE USED WITHOUT WRITTEN PERMISSION | | | | | |
| | A1 | | B | | | | | |
| | | | | | | | | |