

SUMMARY



Image is for illustrative purpose only

Wires

Low	0
High	0
Coax	1
Triax	0
Quad	0
Fiber	0
Fluidic	0

Download

[Request a quote](#)

[Catalog](#)

Series	00
Termination type	Coupler/adapter/bridge
IP rating	50
Cable Ø	0.00 - 0.00 mm
Matching parts	
Status	
Alternative part	

TECHNICAL DETAILS

Mechanics

Shell Style/Model	ABC*: Adapter from LEMO receptacle to BNC receptacle
Keying	Circular (can rotate)
Housing Material	Brass (nickel plated) shell, collet nut, latch sleeve and mid pieces
Cable Fixing	∅ 0 - 0 mm
Variant	

Performance

Configuration	00.250/ABC : 1 Coax (50 Ohm)
Insulator	T: PTFE
Rated Current	4 Amps

Specifications

Contact Type:	Coaxial 50 Ohm
Max. Matings:	500
Contact Retention:	18 N
Contact Dia.:	0.7 mm (0.03in)
Vtest:	2100 V (AC), 3000 V (DC)

□

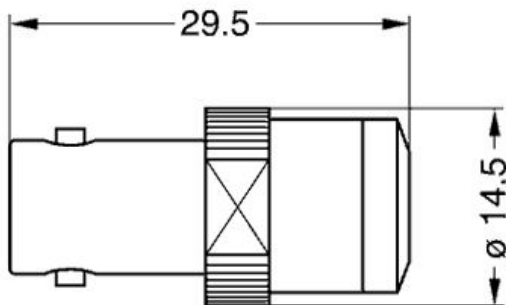
Impedance: 50 Ohm
VSWR: $1.09 + 0.11 * f/\text{GHz}$

Others

Endurance (Shell): 5000 mating cycles
F ret (min): 100 N
IP Rating: 50

DRAWINGS

Draws



Dimensions

	A	L	Weight
mm.	14.5	29.5	17
in.	0,57	1,16	0,67

RECOMMENDED BY LEMO

Tools

Crimp Tool: DPC.91.701.V

Cables