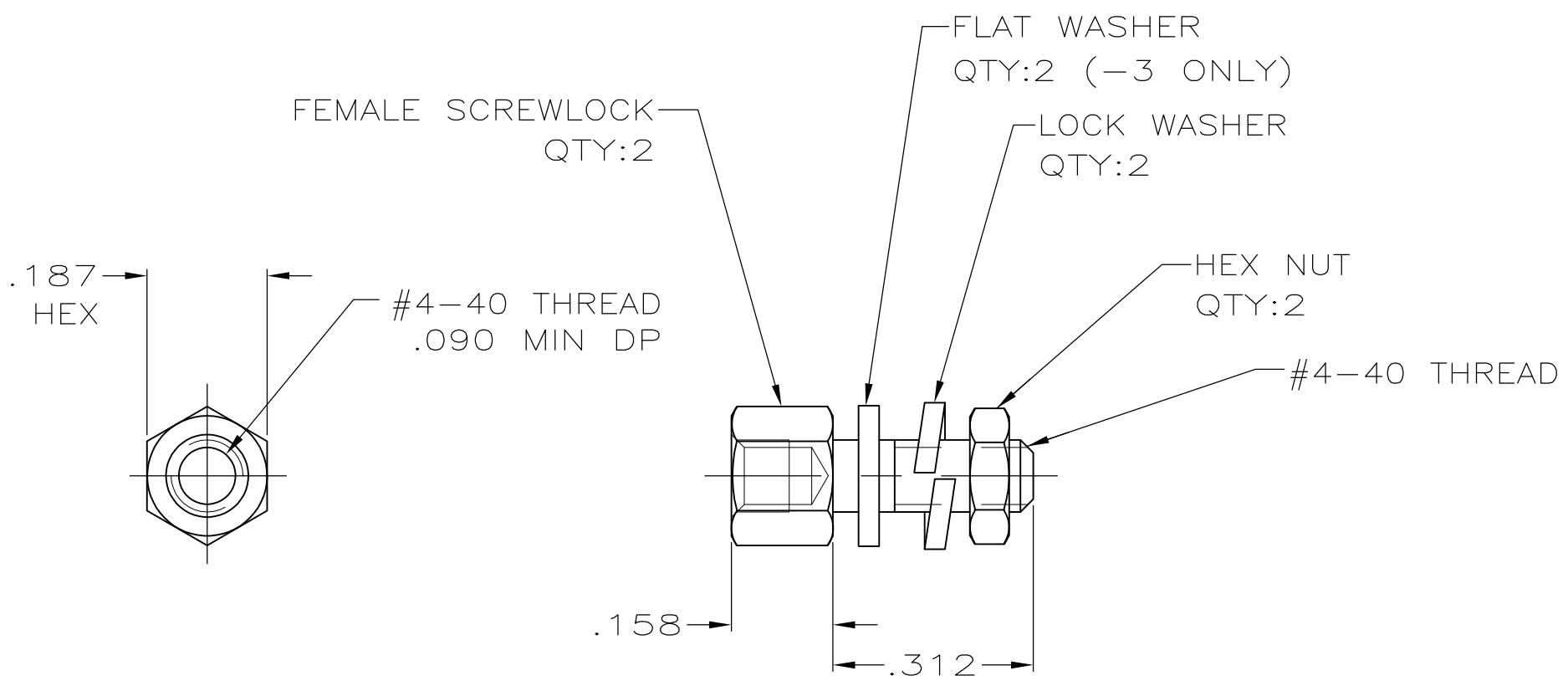



THIS DRAWING IS UNPUBLISHED. RELEASED FOR PUBLICATION  
 © COPYRIGHT - By - ALL RIGHTS RESERVED.

LOC	DIST	REVISIONS			
P	LTR	DESCRIPTION	DATE	DWN	APVD
GP	00	P			
		P	REVISED PER ECO-11-004835	11MAR11	RK HMR



- PARTS PACKAGED UNASSEMBLED.
  - PARTS PACKAGED AS A UNIT KIT.
- 3** ZINC PLATING .000200-.000400 THICK, YELLOW CHROMATE COATING.

W/ FLAT WASHER	5748271-3
W/O FLAT WASHER	5748271-1
REMARKS	PART NUMBER

THIS DRAWING IS A CONTROLLED DOCUMENT.		DWN	S.WAITMAN	12JUL05	 <b>TE Connectivity</b>											
DIMENSIONS: INCHES		CHK	C.ROHDE	12JUL05												
TOLERANCES UNLESS OTHERWISE SPECIFIED:		APVD	M.WALMSLEY	12JUL05												
<table border="0"> <tr><td>0 PLC</td><td>± -</td></tr> <tr><td>1 PLC</td><td>± -</td></tr> <tr><td>2 PLC</td><td>± -</td></tr> <tr><td>3 PLC</td><td>± .005</td></tr> <tr><td>4 PLC</td><td>± -</td></tr> <tr><td>ANGLES</td><td>± -</td></tr> </table>		0 PLC	± -	1 PLC		± -	2 PLC	± -	3 PLC	± .005	4 PLC	± -	ANGLES	± -	PRODUCT SPEC	
0 PLC	± -															
1 PLC	± -															
2 PLC	± -															
3 PLC	± .005															
4 PLC	± -															
ANGLES	± -															
MATERIAL: STEEL		FINISH: <b>3</b>		APPLICATION SPEC	FEMALE SCREWLOCK KIT, SHORT HEAD, .090 PANEL, AMPLIMITE											
		WEIGHT	-		SIZE: A3											
		CUSTOMER DRAWING		SCALE: 4:1	CAGE CODE: 00779											
				DRAWING NO: C-5748271	RESTRICTED TO: -											
				SHEET: 1 OF 1	REV: P											