

1

2

3

4

5

6

7

A


Material

Terminal body(metal housing): Brass(CuZn)
 Terminal screw: Steel Zinc plating "-" slot type
 Wire guard: Stainless steel
 Surface of solder tail: Tin plated
 Insulator (housing): Thermoplastic (UL94V-0).BLACK

A

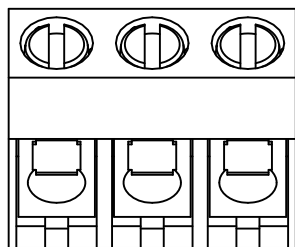
B

Electrical cULus

Voltage rating: 300VAC
 Current rating: 15A
 Wire range:
 Solid wire(AWG): 14-22
 Stranded wire(AWG): 14-22
 Torque(Lb-In): 3.5
 Screw: M3
 Wire strip length: 6-7mm
 Withstanding Voltage: 1.6KV
 Operating temperature: -40°C to +115°C
 Soldering temperature: 250°C±10°C/5 Sec
 Safety Approval: 

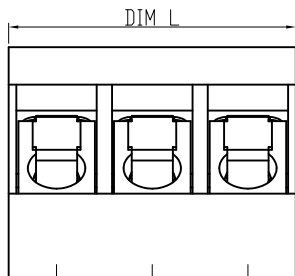
B

C



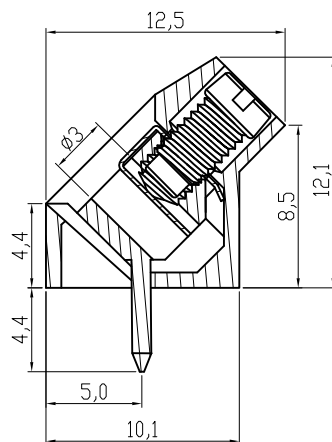
C

D



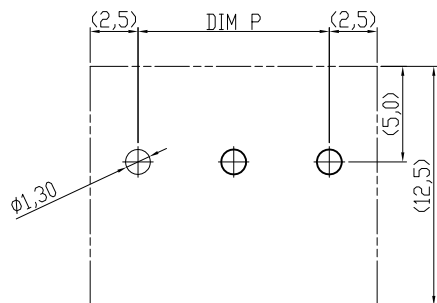
D

E



E

F



RECOMMENDER PCB LAYOUT

DIMENSION

L	Nx5.0
P	(N-1)x5.0

N=Number of poles

Poles	Tolerance	
	DIM L	DIM P
2p-6p	±0.20	±0.15
7p-12p	±0.25	±0.20
13p-18p	±0.30	±0.25
19p-24p	±0.40	±0.30


F

G

RoHS compliant

G

H

Scale	1:1					Date	Name	Customer-No.
TOLERANCE						Drawn	Alex	ASSMANN WSW-No. A-TB500-TQxxSB
X.	±0.50					Approved	Hellwig	
X.X	±0.30							
X.XX	±0.10							
DIM	TOL							Drawing-No.
X.°	±1°							ASS 4094 CO
		©	Drawn	19.04.2010	Alex			rev00
Angle	TOL	Id.	Modification	Date	Name			Replace

H

1

2

3

4

5

6

7