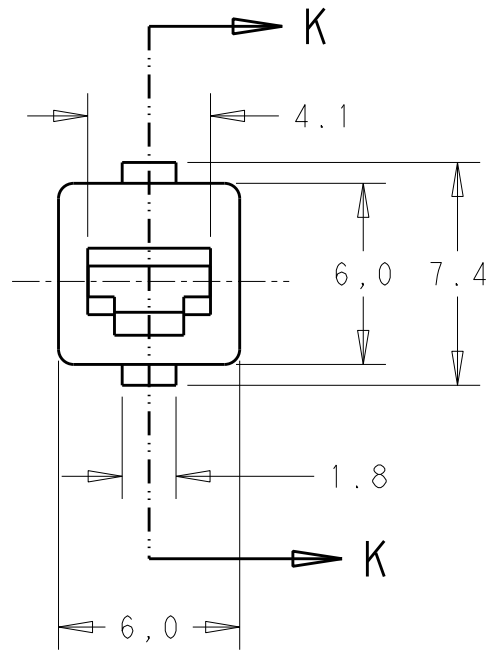
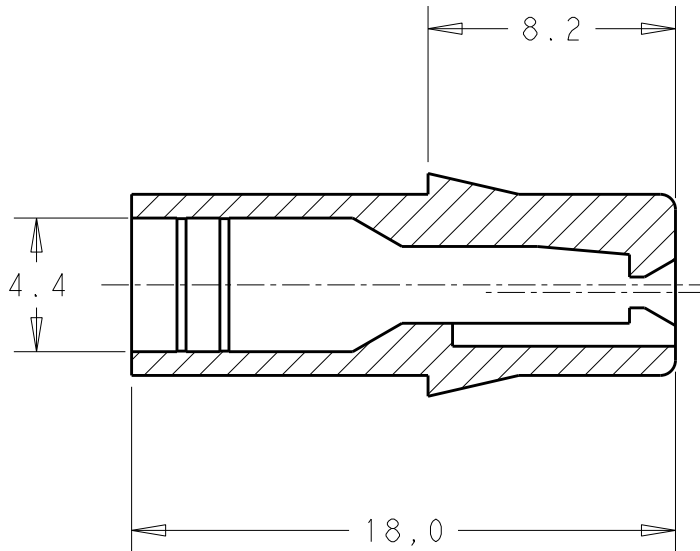


LOC	DIST	REVISIONS				
P	LTR	DESCRIPTION	DATE	DWN	APVD	
AP	-					
	B2	REDRAW BY CAD ECO-12-003573	23FEB2012	HC	WLS	



SECTION K-K

THIS DRAWING IS UNPUBLISHED. ALL RIGHTS RESERVED. © COPYRIGHT 20

NATURAL	PA 6.6	626062-0
COLOR	MATERIAL	PART NUMBER

DIMENSIONS:

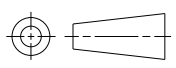
mm

TOLERANCES UNLESS OTHERWISE SPECIFIED:

0 PLC	±-
1 PLC	±0,2
2 PLC	±-
3 PLC	±-
4 PLC	±-
ANGLES	±-

DWN	H.C.CANTERI	23FEB2012
CHK	W.L.STFANI	23FEB2012
APVD	-	-
PRODUCT SPEC	-	-
APPLICATION SPEC	-	-
WEIGHT	-	-

MATERIAL	SEE TABLE	FINISH	-
 TE Connectivity			
NAME 1 WAY FASTIN-ON REC. HSG.			
SIZE	CAGE CODE	DRAWING NO	RESTRICTED TO
A 4	00779	C-626062	-



CUSTOMER DRAWING	SCALE	4/1	SHEET	1	OF	1	REV	B2
------------------	-------	-----	-------	---	----	---	-----	----