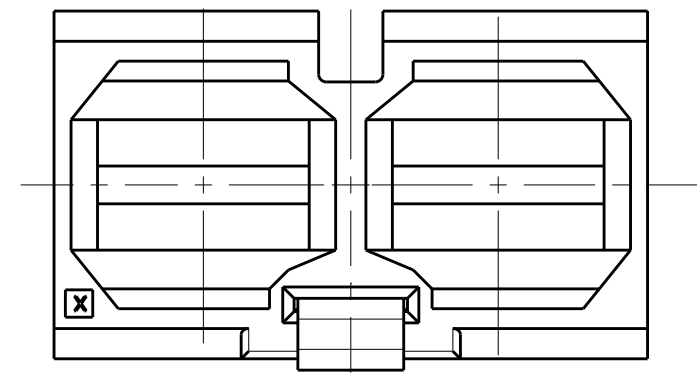
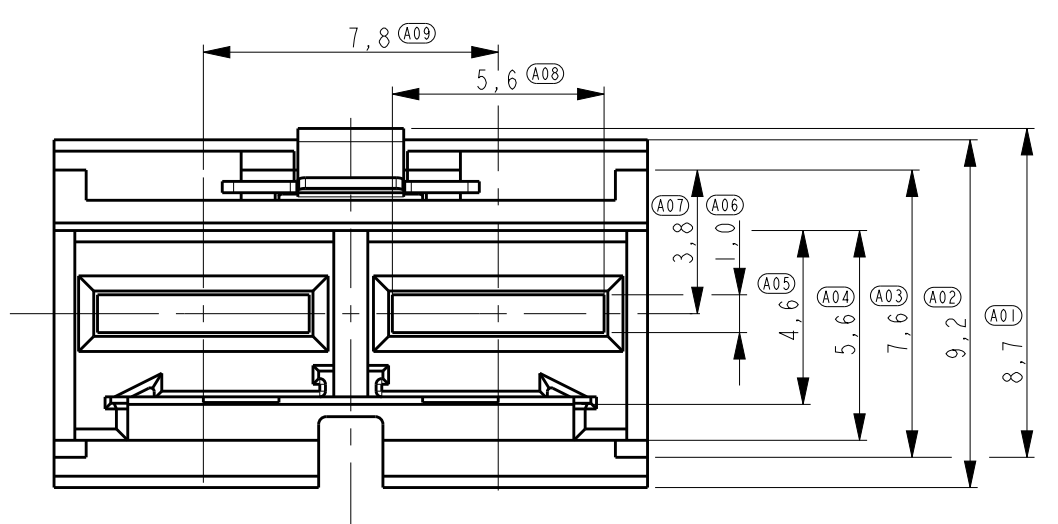
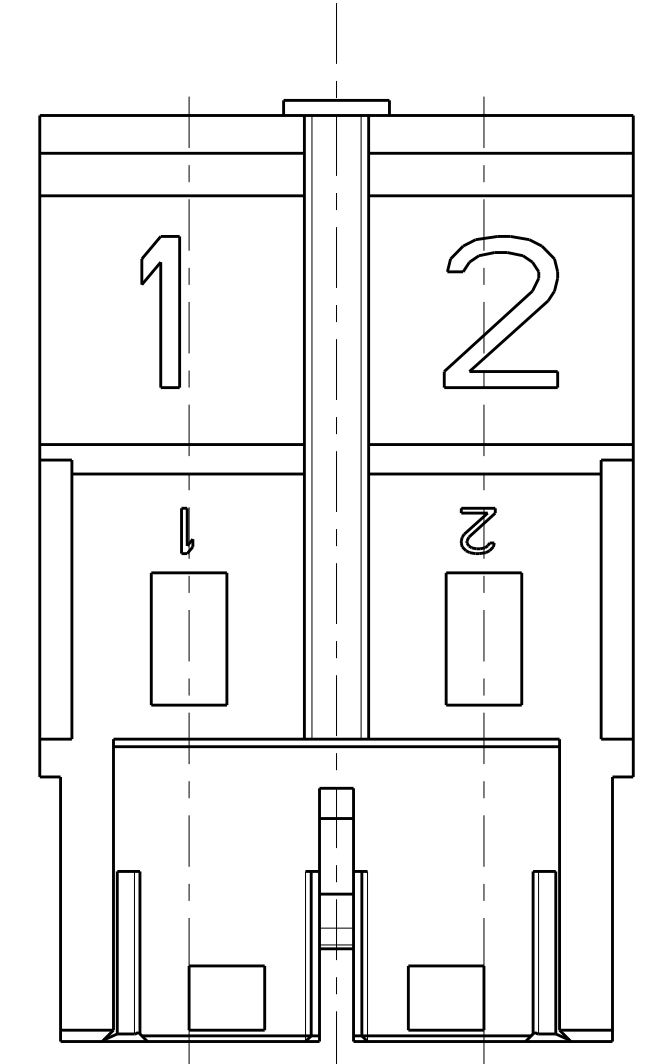
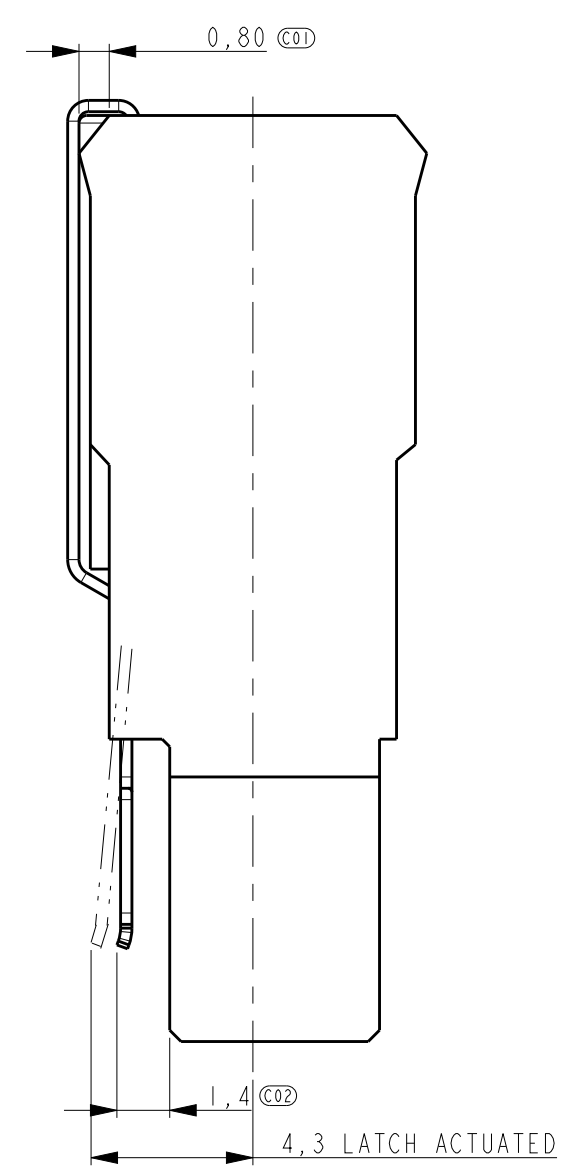
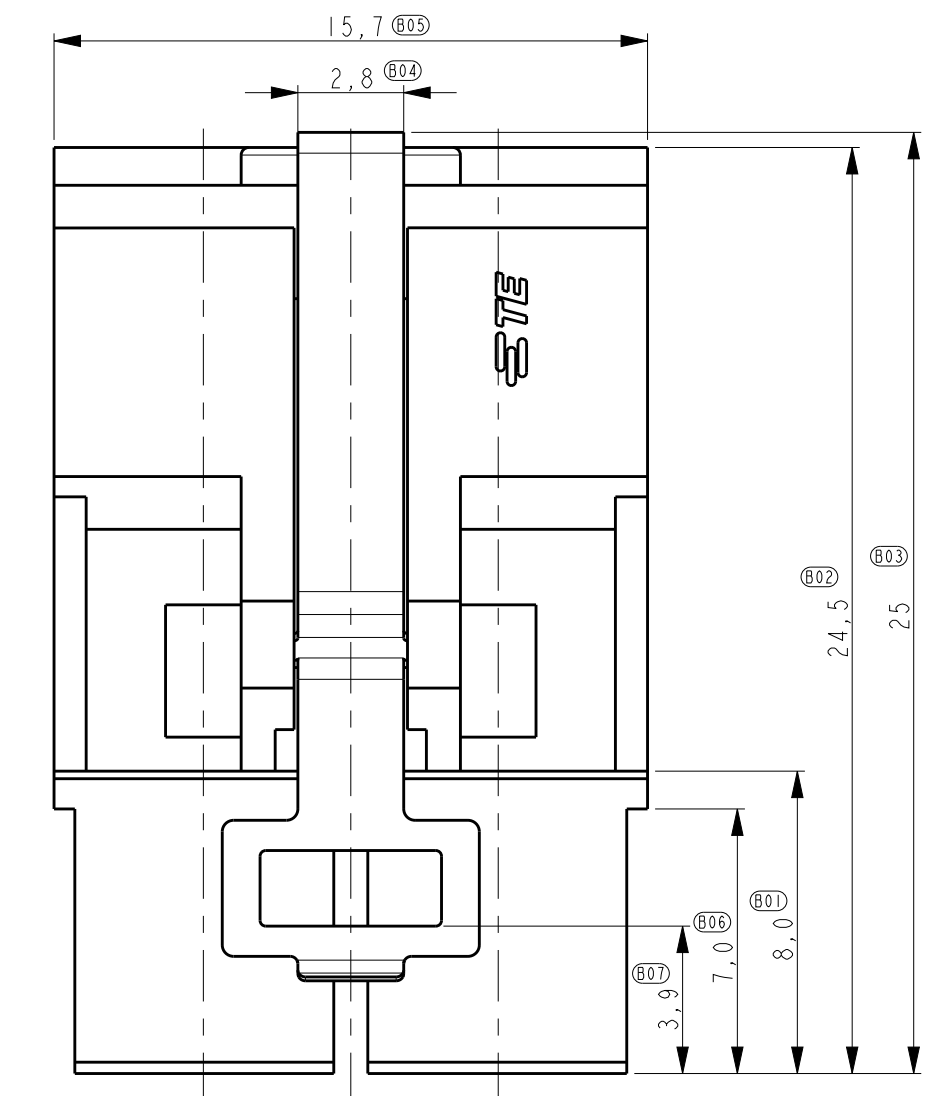


THIS DRAWING IS UNPUBLISHED. RELEASED FOR PUBLICATION  
 © COPYRIGHT - TE CONNECTIVITY ALL RIGHTS RESERVED.

LOC	DIST	REVISIONS			
P	LTR	DESCRIPTION	DATE	DWN	APVD
	A	INITIAL RELEASE	28SEP2011	PS	RRP
	AI	REVISE PER ECO-15-017811	11DEC2015	SZ	SZ
	B	REV PER ECO-16-014059	09JAN2017	WY	SZ



NOTES:  
 1 USE FOR (SILVER PLATED) STANDARD POWER TIMER CONTACTS .  
 FOR CONTACTS PARTNUMBERS SEE DWG. C-1355048 VERSION A  
 ALLOWED MAX WIRE SIZE 6 mm<sup>2</sup>.



2178186-4

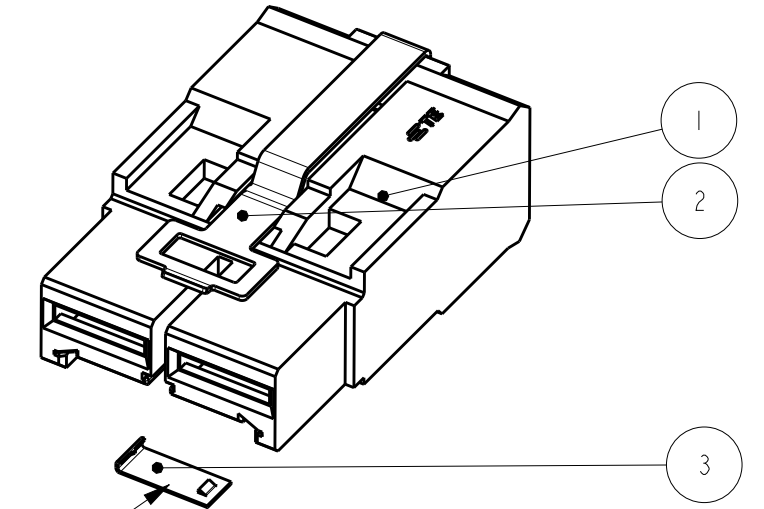
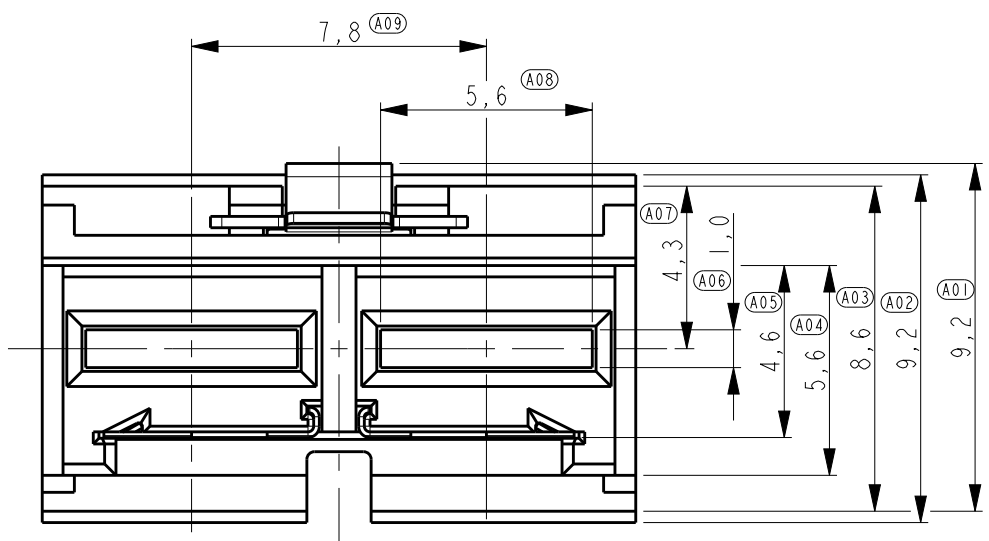
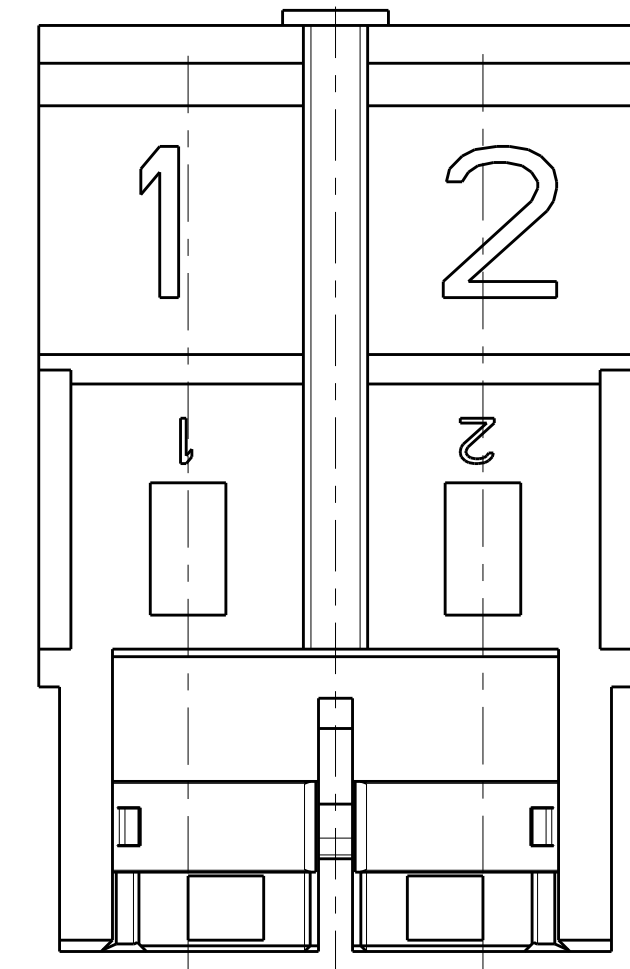
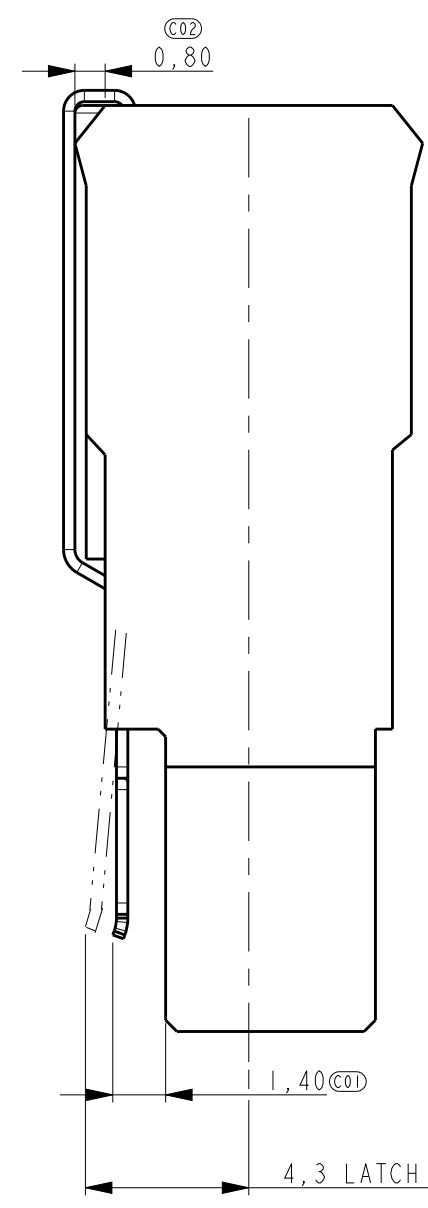
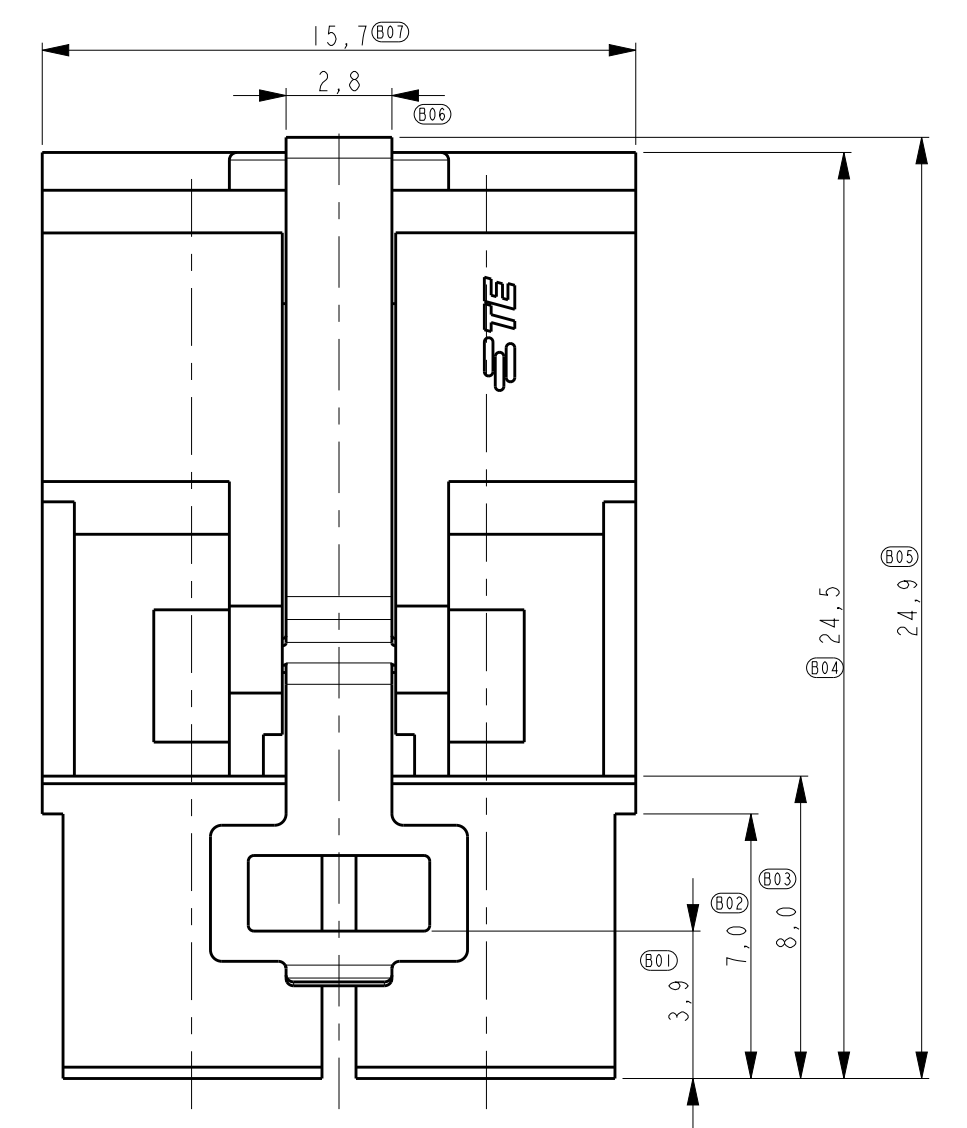
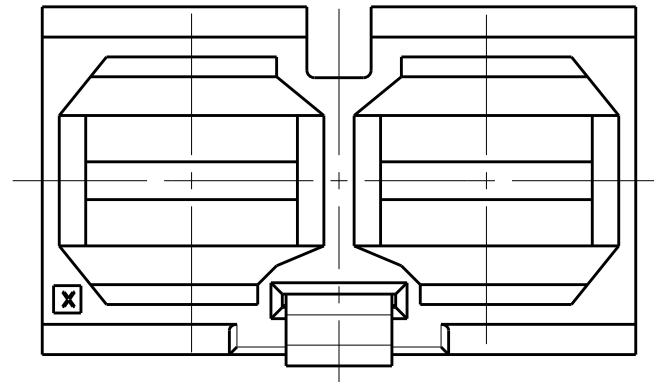
QTY	DESCRIPTION	MATERIAL	FINISH	ITEM
1	HOUSING LATCH	PA GF UL94V-0 STAINLESS STEEL	NA	1

THIS DRAWING IS A CONTROLLED DOCUMENT.

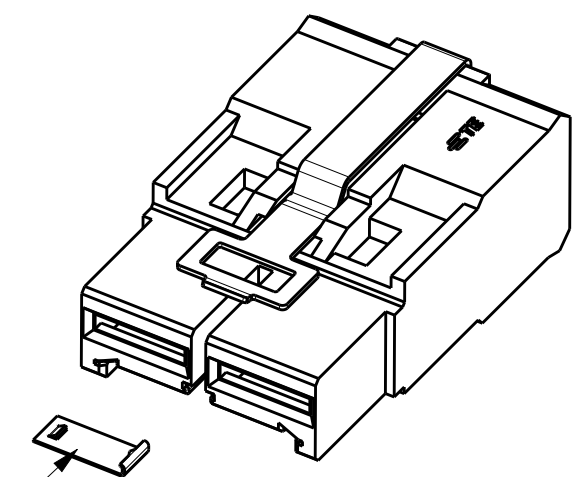
DWN Praduth 28Sep2011	TE Connectivity ELCON Mini, 2-position cable connector metal latch, 6mm <sup>2</sup> max. wire	
CHK Praduth 28Sep2011		
APVD Rajendra Pai		
NAME Rajendra Pai		
PRODUCT SPEC 108-19346	SIZE CAGE CODE DRAWING NO RESTRICTED TO	
APPLICATION SPEC 114-19110	A2 00779 C- 2178186	
MATERIAL FINISH	WEIGHT -	
CUSTOMER DRAWING		SCALE 5:1 SHEET 1 OF 2 REV B

THIS DRAWING IS UNPUBLISHED. RELEASED FOR PUBLICATION  
 © COPYRIGHT - TE CONNECTIVITY ALL RIGHTS RESERVED.

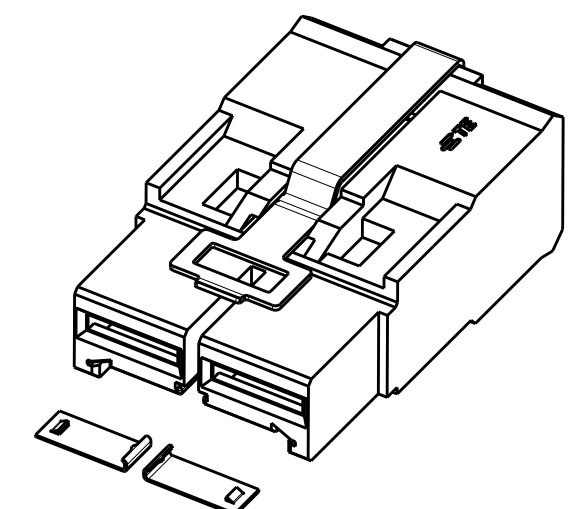
LOC	DIST	REVISIONS			
P	LTR	DESCRIPTION	DATE	DWN	APVD
		SEE SHEET 1			



AT THE RIGHT SIDE 2178186-1



AT THE LEFT SIDE 2178186-2



2178186-3

NOTES:

- USE FOR (SILVER PLATED) STANDARD POWER TIMER CONTACTS. FOR CONTACTS PARTNUMBERS SEE DWG. C-1355048 VERSION A ALLOWED MAX WIRE SIZE 6 mm<sup>2</sup>.
- LOOSE PIECE PART NUMBER ITEM 2: 1982298-2.

QTY	QTY	QTY	DESCRIPTION	MATERIAL	FINISH	ITEM
2	1	1	CONTACT	COPPER ALLOY	0.8µm Au MIN IN CONTACT AREA OVER 1.2µm Ni UNDERLAYER OVERALL	2
1	1	1	HOUSING LATCH	PA GF UL94V-0 STAINLESS STEEL	NA	1

THIS DRAWING IS A CONTROLLED DOCUMENT.

DWN Praduth 28Sep2011	 TE Connectivity ELCON Mini, 2-position cable connector metal latch, 6mm <sup>2</sup> max. wire					
CHK Praduth 28Sep2011						
APVD Rajendra Pai 28Sep2011						
NAME Rajendra Pai						
DIMENSIONS: mm	TOLERANCES UNLESS OTHERWISE SPECIFIED:	PRODUCT SPEC -	SIZE A2	CAGE CODE 00779	DRAWING NO. 2178186	RESTRICTED TO -
0 PLC ± 0.5	1 PLC ± 0.1	APPLICATION SPEC -	WEIGHT -	SCALE 5:1	SHEET 2 OF 2	REV B
2 PLC ± 0.05	3 PLC ± -	WEIGHT -	CUSTOMER DRAWING			
4 PLC ± -	ANGLES ± 2°					
MATERIAL -	FINISH -					