

THE INFORMATION CONTAINED HEREIN IS CONSIDERED "PROPRIETARY" TO BEL FUSE INC. AND SHALL NOT BE COPIED, REPRODUCED OR DISCLOSED WITHOUT THE WRITTEN APPROVAL OF BEL FUSE INC.

RoHS  
2002/95/EC



LED1 POLARITY			LED2 POLARITY		
PIN 7	PIN 8	COLOR	PIN 9	PIN 10	COLOR
-	+	YELLOW	-	+	GREEN
/	/	/	+	-	ORANGE

ELECTRICAL CHARACTERISTICS @ 25°C

URNS RATIO

TX 1CT : 1  
RX 1CT : 1

OCL @ 100kHz/100mVRMS

8mA DC BIAS 350µH MIN.

INS. LOSS

1MHz TO 100MHz -1.0 dB MAX

RET. LOSS (MIN)

1MHz-30MHz -18 dB  
30MHz-60MHz -18+20LOG(F/30MHz) dB  
60MHz-80MHz -12 dB

CROSS TALK (TX - RX)

500kHz-1MHz -70 dB MIN  
10 MHz -50 dB MIN  
30 MHz -45 dB MIN  
50 MHz -40 dB MIN  
100 MHz -35 dB MIN

CM TO CM REJ

100kHz-1MHz -70 dB MIN  
10 MHz -47 dB MIN  
30 MHz -42 dB MIN  
60 MHz -37 dB MIN  
100 MHz -30 dB MIN

CM TO DM REJ

100kHz-1MHz -70 dB MIN  
10 MHz -60 dB MIN  
30 MHz -50 dB MIN  
60 MHz -45 dB MIN  
100 MHz -40 dB MIN

HIPOT (Isolation Voltage):

LED 1 1500 Vrms or 2250VDC

VF (FORWARD VOLTAGE)

IF=20mA YELLOW 2.1V TYP.

λD (DOMINANT WAVELENGTH)

IF=20mA YELLOW 590nm TYP.

LED 2

VF (FORWARD VOLTAGE)

IF=20mA ORANGE 2.0V TYP.

λD (DOMINANT WAVELENGTH)

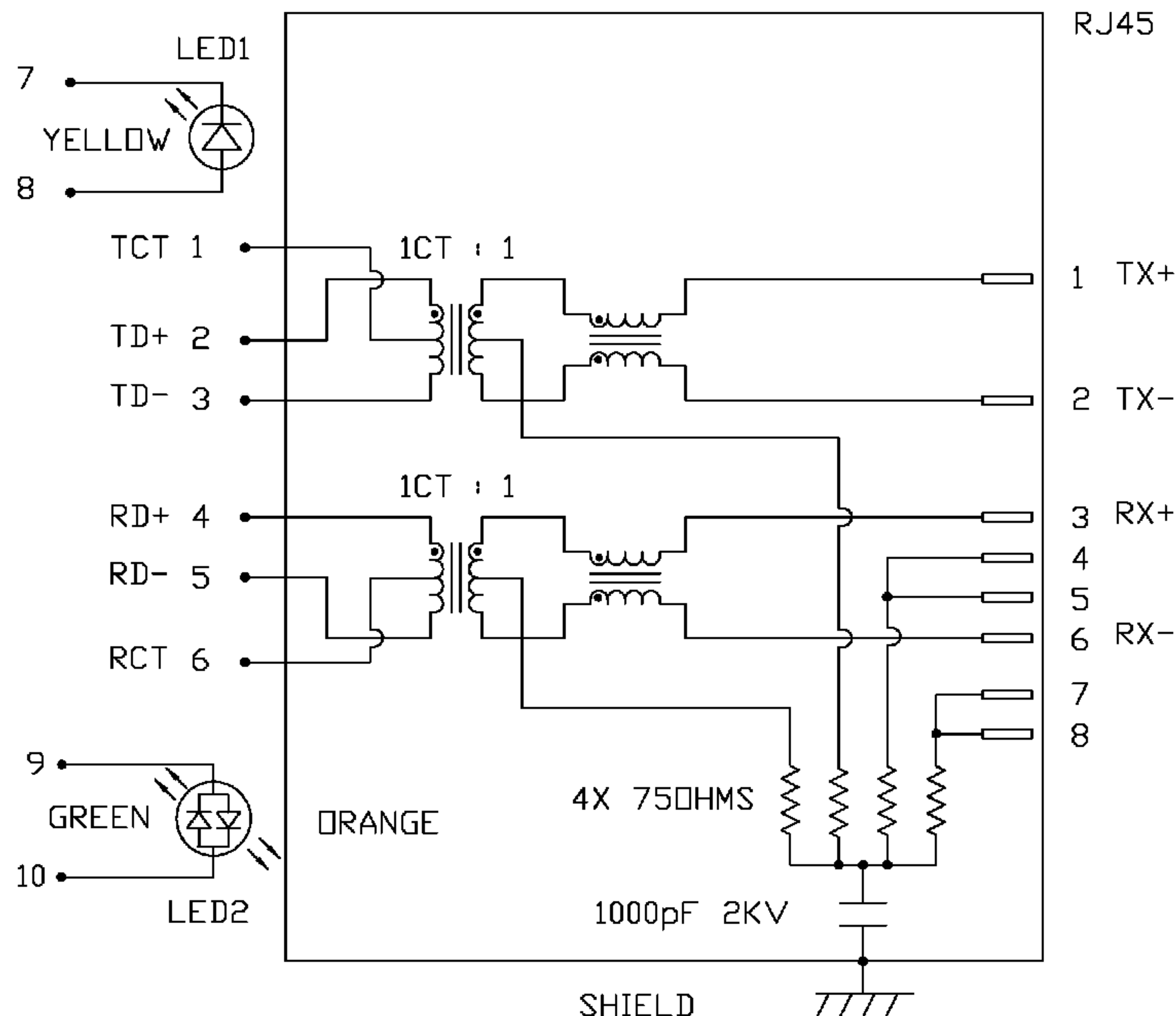
IF=20mA GREEN 2.2V TYP.

λD (DOMINANT WAVELENGTH)

IF=20mA ORANGE 610nm TYP.

IF=20mA GREEN 565nm TYP.

SCHEMATIC

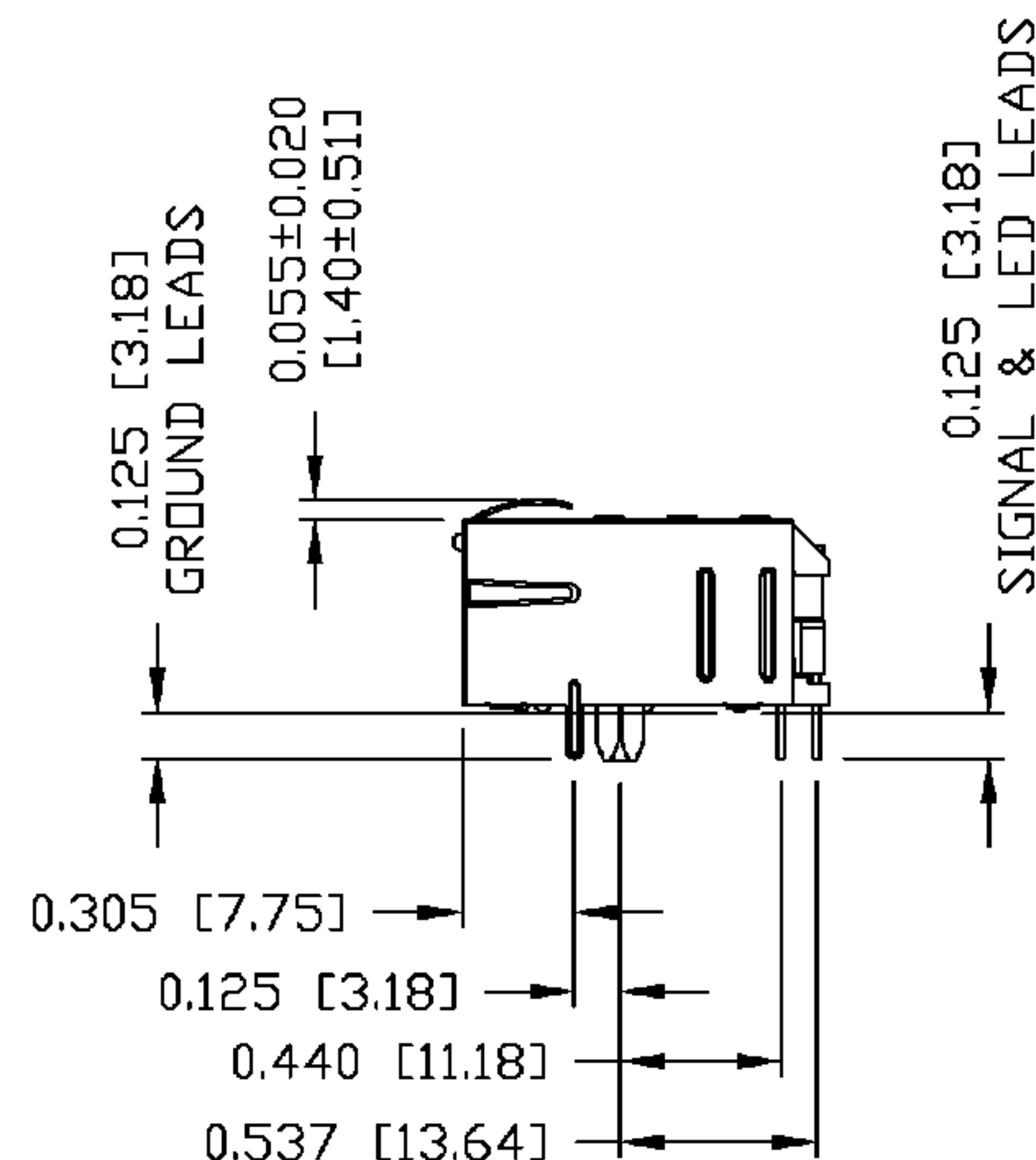
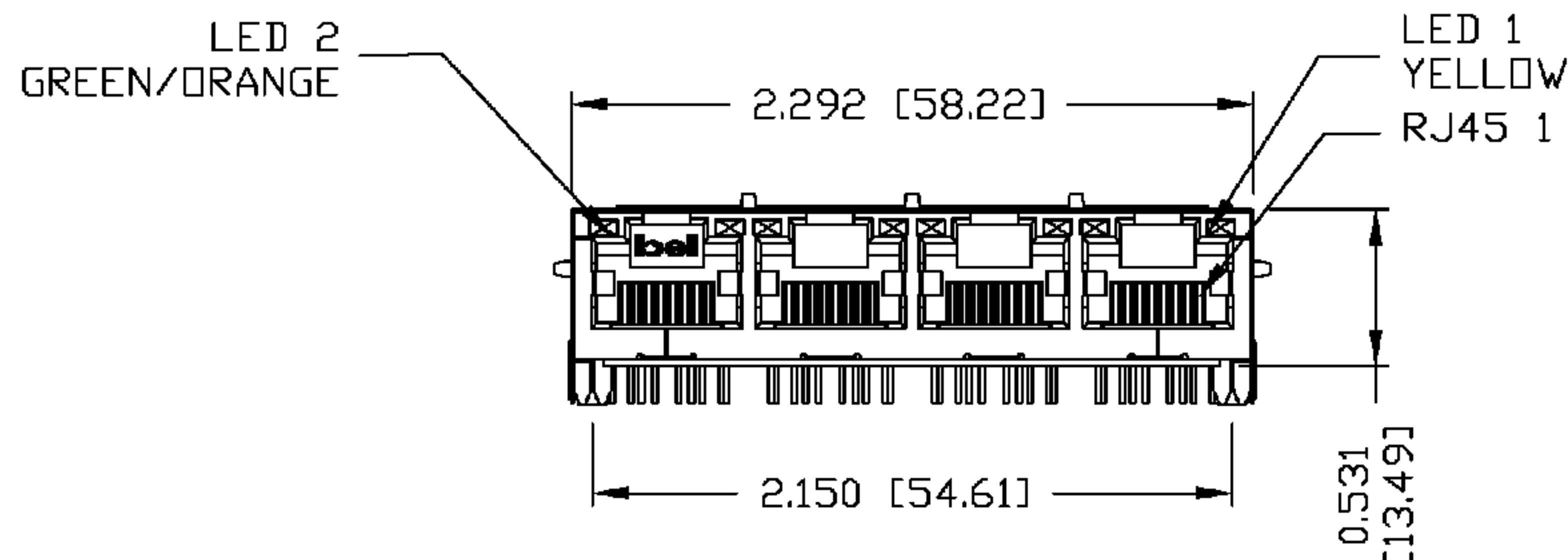
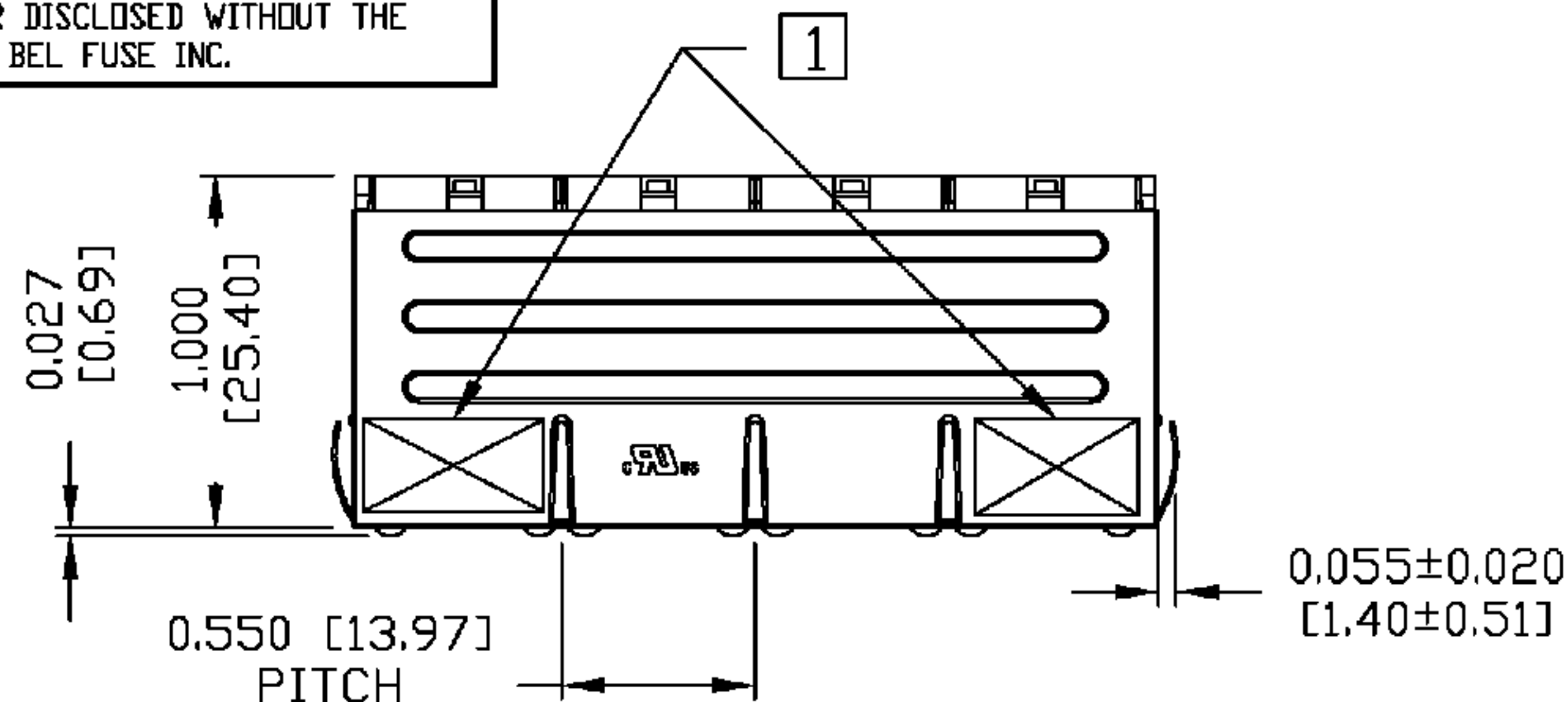


ORIGINATED BY	DATE	TITLE	PART NO. / DRAWING NO.	STANDARD DIM. TOL. IN INCH	[ ] METRIC DIM. AS REFERENCE
CHUNG	09-09-06	1X4 MagJack® (4 Cores, MDIX, CM Termination)	08B01X4T06-F	.X .XX .XXX	UNIT : INCH [mm] SCALE : N/A REV. : A SIZE : A4 PAGE : 2
DRAWN BY	DATE		FILE NAME		
DE	09-09-06	08B0-1X4T-06-F	08B01X4T06-FA.DWG		



THE INFORMATION CONTAINED HEREIN IS CONSIDERED "PROPRIETARY" TO BEL FUSE INC. AND SHALL NOT BE COPIED, REPRODUCED OR DISCLOSED WITHOUT THE WRITTEN APPROVAL OF BEL FUSE INC.

RoHS  
2002/95/EC



NOTES:

PLASTIC HOUSING: THERMOPLASTIC PBT  
 FLAMMABILITY RATING UL 94V-0  
 CONTACTS PLATING: 15 MICRO-INCH HARD GOLD PLATING  
 PINS: TIN-COATED COPPER WIRE, DIA 0.018 INCH.  
 METAL SHIELD: NICKEL PLATED ON COPPER ALLOY.  
 (ALL GROUND LEADS ARE SOLDER DIPPED)

1. MARK PART WITH MFG LOGO, MFG NAME, PART NUMBER, AND DATE CODE.

UL RECOGNIZED - FILE #E196366 AND E169987.  
 RoHS COMPLIANT, PER EU DIRECTIVE 2002/95/EC  
 JACK CAVITY CONFORMS TO FCC RULES AND REGULATIONS

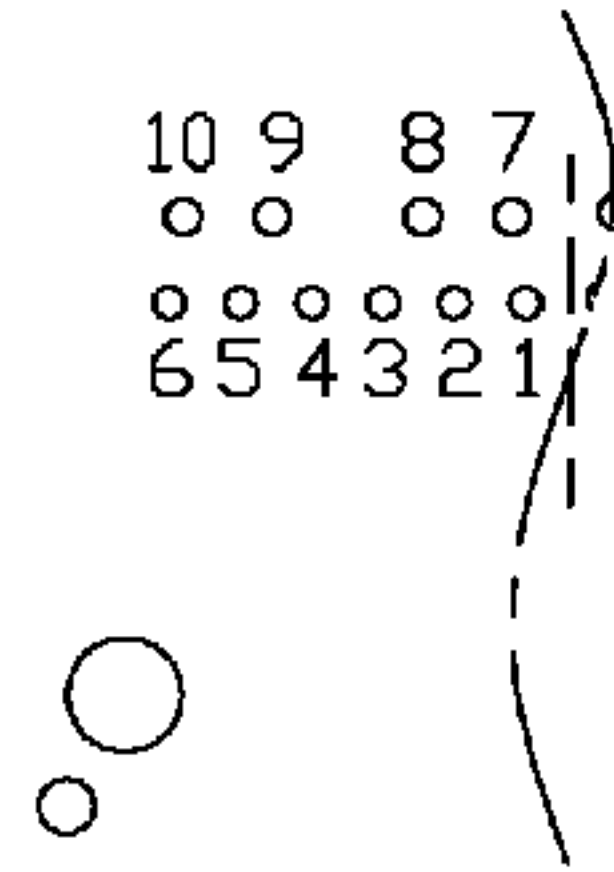
ORIGINATED BY QIN/BILL	DATE 09-09-06	TITLE 1X4 MagJack® (4 Cores, MDIX, CM Termination)	PART NO. / DRAWING NO. 08B01X4T06-F	STANDARD DIM. TOL. IN INCH	[ ] METRIC DIM. AS REFERENCE	 COMPONENTS ON A CONNECTED PLANET
DRAWN BY TING	DATE 09-09-06	FILE NAME 08B01X4T06-FA.DWG	.X	UNIT : INCH [mm]	REV. : A	
			.XX	SCALE : N/A	SIZE : A4	
			.XXX ±0.010		PAGE : 3	

THE INFORMATION CONTAINED HEREIN IS CONSIDERED "PROPRIETARY" TO BEL FUSE INC. AND SHALL NOT BE COPIED, REPRODUCED OR DISCLOSED WITHOUT THE WRITTEN APPROVAL OF BEL FUSE INC.

RoHS  
2002/95/EC

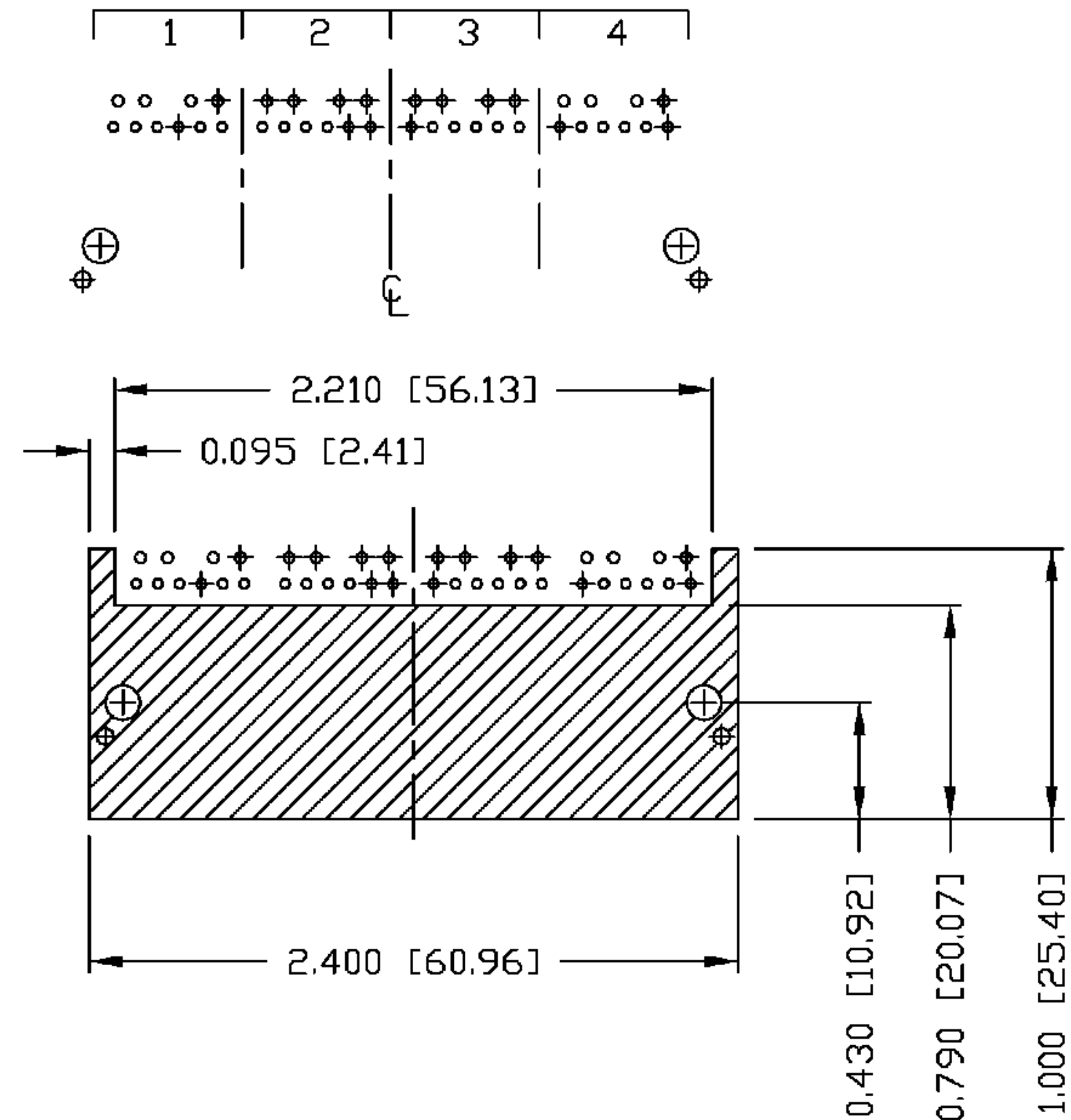


PIN ASSIGNMENT - EACH PORT  
COMPONENT SIDE VIEW



6	RCT
5	RD -
4	RD +
3	TD -
2	TD +
1	TCT

RECOMMENDED PCB FOOTPRINT  
COMPONENT SIDE VIEW



THE SHADED AREA ON THE CUSTOMER BOARD ARE RECOMMENDED TO BE CLEAR OFF ANY VIA HOLE OR COMPONENT PAD.

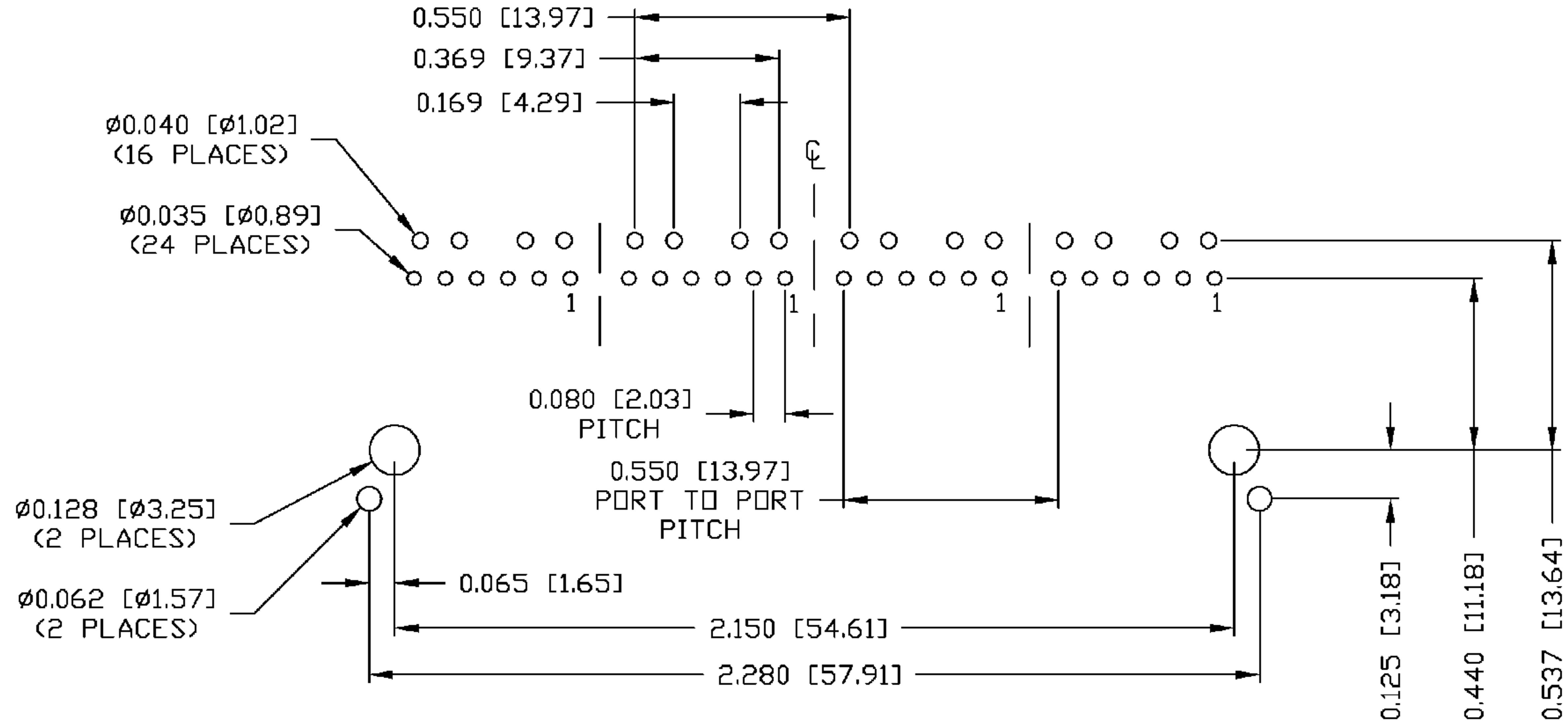
ORIGINATED BY QIN/BILL	DATE 09-09-06	TITLE 1X4 MagJack® (4 Cores, MDIX, CM Termination)	PART NO. / DRAWING NO. 08B01X4T06-F	STANDARD DIM.		[ ] METRIC DIM. AS REFERENCE		 COMPONENTS ON A CONNECTED PLANET
					TOL. IN INCH	UNIT : INCH [mm]	REV. : A	
DRAWN BY TING	DATE 09-09-06	FILE NAME 08B01X4T06-FA.DWG		.X	SCALE : N/A	SIZE : A4	PAGE : 4	
				.XX				
			.XXX	±0.004				

THE INFORMATION CONTAINED HEREIN IS CONSIDERED "PROPRIETARY" TO BEL FUSE INC. AND SHALL NOT BE COPIED, REPRODUCED OR DISCLOSED WITHOUT THE WRITTEN APPROVAL OF BEL FUSE INC.



RECOMMENDED PCB FOOTPRINT

COMPONENT SIDE VIEW

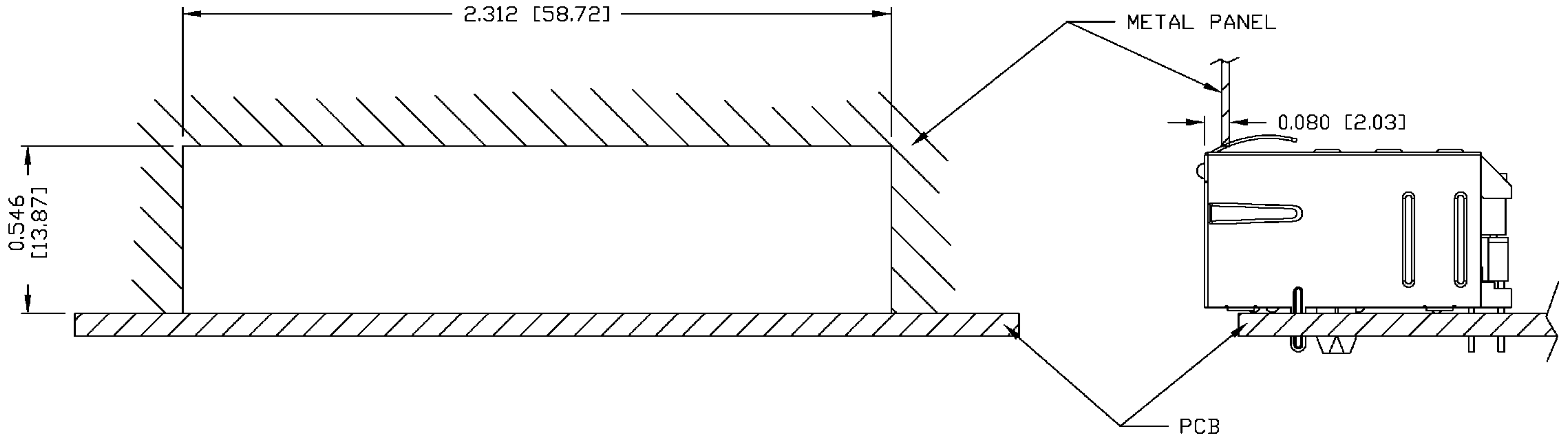


ORIGINATED BY QIN/BILL	DATE 09-09-06	TITLE 1X4 MagJack® (4 Cores, MDIX, CM Termination)	PART NO. / DRAWING NO. 08B01X4T06-F	STANDARD DIM. TOL. IN INCH	[ ] METRIC DIM. AS REFERENCE	 COMPONENTS FOR A CONNECTED PLANET	
DRAWN BY TING	DATE 09-09-06	FILE NAME 08B01X4T06-FA.DWG		.X	UNIT : INCH [mm]		REV. : A
				.XX	SCALE : N/A		SIZE : A4
				.XXX	±0.004		PAGE : 5

THE INFORMATION CONTAINED HEREIN IS CONSIDERED "PROPRIETARY" TO BEL FUSE INC. AND SHALL NOT BE COPIED, REPRODUCED OR DISCLOSED WITHOUT THE WRITTEN APPROVAL OF BEL FUSE INC.



SUGGESTED PANEL OPENING



NOTES:

THE DISTANCE OF PANEL INSIDE SURFACE RELATIVE TO FRONT SURFACE OF PART IS ONLY A SUGGESTION. IN CASE THIS DISTANCE IS DIFFERENT, THE REQUIRED PANEL OPENING DIMENSIONS CHANGE ACCORDINGLY.

PACKING INFORMATION

PACKING TRAY : 0200-0148-17

PACKING QUANTITY : 30 PCS FINISHED GOODS PER TRAY.

10 TRAYS (300 PCS FINISHED GOODS) PER CARTON BOX.

NOTE : CARDBOARDS ARE PLACED BETWEEN LAYERS OF PACKING TRAY INSIDE CARTON BOX.

(INCLUDE THE UPPERMOST AND LOWERMOST TRAY)

ORIGINATED BY QIN/BILL	DATE 09-09-06	TITLE 1X4 MagJack® (4 Cores, MDIX, CM Termination)	PART NO. / DRAWING NO. 08B01X4T06-F	STANDARD DIM. TOL. IN INCH	[ ] METRIC DIM. AS REFERENCE		 COMPONENTS ON A CONNECTED PLANET
	DRAWN BY TING		DATE 09-09-06	FILE NAME 08B01X4T06-FA.DWG	.X	UNIT : INCH [mm]	
				.XX	SCALE : N/A	SIZE : A4	
				.XXX ±0.004		PAGE : 6	