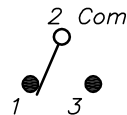


RECOMMENDED PCB LAYOUT

SCALE 2:1



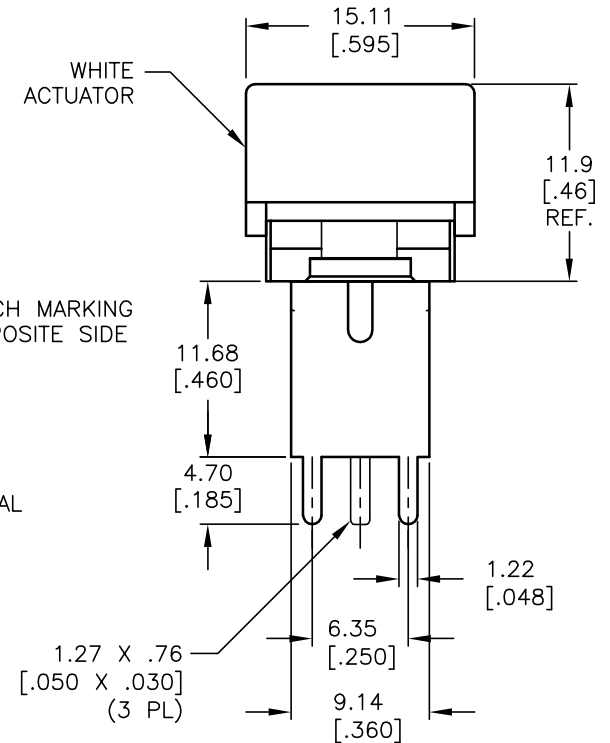
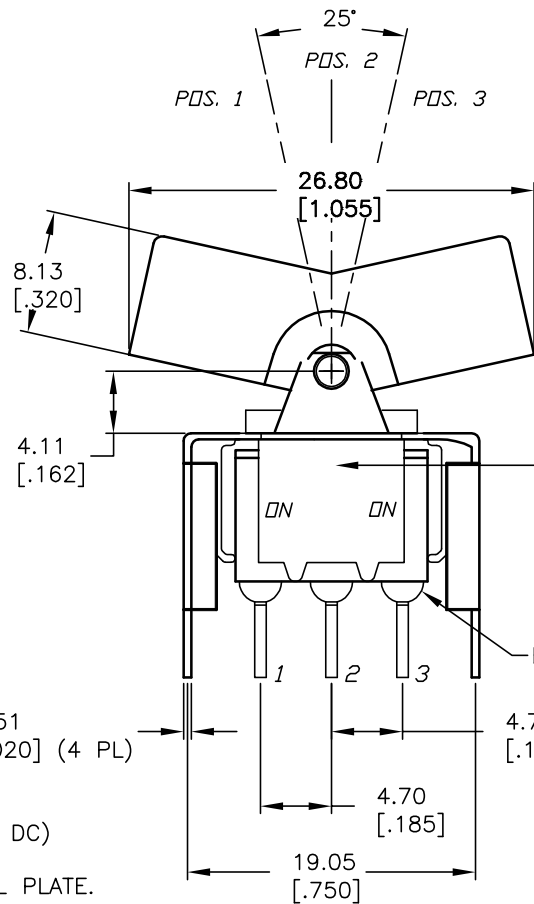
CIRCUIT: SPST

SWITCH FUNCTION		
PDS. 1	PDS. 2	PDS. 3
DN	NONE	DN
2-3	OPEN	2-1

(B)

NOTES:

1. ALL DIMENSIONS IN MM [INCH]
2. GENERAL TOLERANCE: X.X=±0.4
X.XX=±0.25
3. TERM. NOS. FOR REF. ONLY
4. RATING: 0.4 VOLT-AMPS MAX. @20V MAX. (AC OR DC)
5. MATERIAL: FIXED TERMINAL & MOVING CONTACT
Copper Alloy w/GOLD PLATING OVER NICKEL PLATE.
6. CONTACT RESISTANCE: 10mILLI Ohms max initial
@2-4VDC, 100mA for AG & AU
7. ELECTRICAL LIFE: 50,000 make-and-break
cycles at full load.
8. INSULATION RESISTANCE: 1,000M ohm min.
9. DIELECTRIC STRENGTH: 1000V RMS @sea level
10. OPERATING TEMP.: -30°C to 85°C



E-SWITCH MARKING ON OPPOSITE SIDE

EPOXY SEAL

<p>E-SWITCH®</p> <p>TITLE: 300SP1J3WHTVS4RE</p>				
B	13971	CORRECT SWITCH FUNCTION	4/29/04	AR
A	13048	RELEASED FOR PRODUCTION	4/15/03	AR
REV.	ECN No.	DESCRIPTION	DATE	CHKD
<p>THE INFORMATION CONTAINED IN THIS DOCUMENT IS PROPRIETARY TO E-SWITCH AND IS NOT TO BE COPIED OR TRANSFERRED</p>				